

BB-232BSS4

4-port Buffered Serial Smart Switch



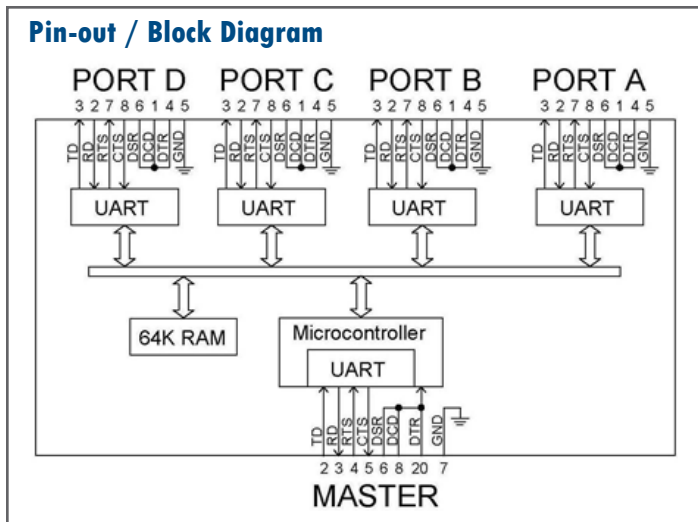
Introduction

Intelligent and versatile, Model BB-232BSS4 serial data switch provides communication to four devices from one serial port. Each port has a dedicated UART and an 8K byte Transmit and Receive buffer, allowing each port's data rate, data format, and protocol to be configured independently. The Master port can send and receive data from one Slave port while the other Slave ports continue to buffer data. The Master can also broadcast the same message to two or more Slave ports at once. The switch can also be configured to send data automatically to the Master port from each of the Slave ports when data is present with an optional preamble identifying the port. It can also provide two-way communications between the Master port and one Slave port at a time. Switching and control is accomplished through user-defined three or four character command strings. These control sequences are stripped from the data stream, making the switch transparent to the Slave devices.

Switches can be cascaded to expand the BB-232BSS4 to more than four ports. Two units can also be used, back-to-back, to provide automatic connection between devices over a single data channel. LEDs indicate when the unit is powered up and which port is selected to send data to the Master port. Included CD contains set-up software. A 12Vdc power supply with a 2.5mm (positive tip) phone jack is required (sold separately).

The Master port is a DB25 female connector configured as DCE providing direct connection to an IBM PC compatible or other DTE device. When connecting the Master port to a modem, the Master port of another BB-232BSS4, or other device configured as DCE, a null modem adapter is required (sold separately). Slave ports are DB9 male connectors configured as DTE for direct connection to a modem or other DCE device. When connecting the Slave ports to a PC compatible or other DTE device, a null modem adapter is required, not included, sold separately.

Pin-out / Block Diagram



Features

- Communicate with four devices from one serial port
- 8 kb Transmit and Receive buffer
- Each port can be independently configured
- RS-232 data rates up to 115.2 kbps
- Setup software for Windows 98, ME, 2000, XP and Vista
- Power supply required, not included, sold separately

Ordering Information

Model No.	Description
BB-232BSS4	Four-port Buffered Smart Switch

Accessories – Sold Separately

BB-SMI6B12V-P230C1 – Power Supply, 12 Vdc, 6W 500mA, 2.5mm Plug, International AC Input. Interchangeable AC blades (NATAM, EU, UK, Australia, China)

BB-232CAM – Modem Cable, DB9 Female to DB25 Male, 1.83 m (6 ft)

BB-9PAMF6 – Serial Adapter Cable, DB9 Male to DB9 Female, 1.83 m (6 ft)

BB-9PAMM6 – Serial Adapter Cable, DB9 Male to DB9 Male, 1.83 m (6 ft)

Specifications

Serial Technology	
Interface	RS-232 asynchronous
Master Port Connector	DB25 female (DCE)
Slave Port Connectors	(4) DB9 male (DTE)
Data Rate	1200 to 115.2 kbps
Data Format	7 or 8 Data bits, Even, Odd, or No Parity (Master does not support 7 Data bits with no parity), 1 Stop bit (fixed).
Flow Control	Hardware (RTS/CTS) or None
Environmental	
Operating Temperature	0 to +70 °C (+32 to +158 °F)
Operating Humidity	0 to 95%, non-condensing
Mechanical	
Dimensions	19.0 x 11.7 x 3.0 cm (7.5 x 4.6 x 1.2 in)
Power	
Power Source	External source, 10 - 15 Vdc, 60mA (not included, sold separately)
Power Connector	2.5 mm phone jack (positive tip)
Meantime Between Failures (MTBF)	
MTBF	330865 hours
Calculation Method	MIL217F Parts Count Reliability Prediction
Software	
Supported O/S	Windows 98, ME, 2K, XP, Vista
Regulatory – Approvals / Standards / Directives	
FCC, CE	
CE - Directives	2014/30/EU - Electromagnetic Compatibility 2011/65/EU - amended by (EU) 2015/863 Reduction of Hazardous Substances (RoHS) 2012/19/EU - Waste Electrical and Electronic Equipment (WEEE)

X-ON Electronics

Largest Supplier of Electrical and Electronic Components

Click to view similar products for [Interface Modules](#) category:

Click to view products by [B&B Electronics](#) manufacturer:

Other Similar products are found below :

[IFD8520](#) [cPCI-3544](#) [422CON](#) [ATX6022/14GP7](#) [ATX6022/8](#) [AX93221-24/48](#) [FC6A-EXM2](#) [OPT8AP-AE](#) [96RMKVM-19V1C-A](#) [60016-011](#) [60016-014](#) [60006-008](#) [60011-075](#) [HPCI-14S12U](#) [cBP-3208](#) [cBP-3062A](#) [FAB205-6P5](#) [ATX6022/6](#) [60016-012](#) [96RMKVM-17V1C-A](#) [MOS-1120Y-0201E](#) [96RMLCD-17V1-A](#) [96RMKVM-17V8C-A](#) [60004-005](#) [60016-017](#) [60006-009](#) [60016-035](#) [60016-034](#) [60016-031](#) [60016-030](#) [60016-026](#) [60016-024](#) [60016-018](#) [60016-007](#) [60016-005](#) [60007-002](#) [60006-010](#) [AXX10GBTWLHW3](#) [382-BBEH](#) [555-BDCL](#) [K6CMISZBI52](#) [426451401-3](#) [60011-093](#) [MIC-3620/3-BE](#) [MPCIE-UART-KIT02-R20](#) [RSM232](#) [PCIE-1680-AE](#) [BB-FOSTCDRI](#) [73-544-002](#) [UC-313](#)