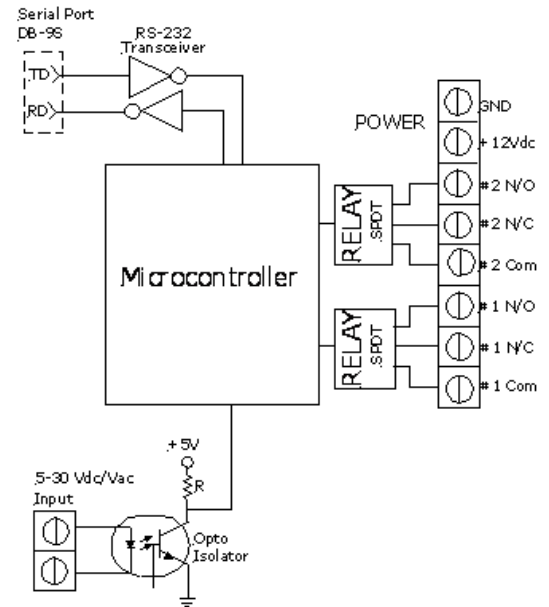




**Model: 232DRIO**  
**RS-232 Digital Relay I/O**

**Features**

- ✓ RS-232 Serial Communications
- ✓ CMOS/TTL Compatible Input and Outputs
- ✓ One 2500V Isolated Port
- ✓ Two Single Pole, Double Throw (SPDT) Relay Outputs
- ✓ LEDs Indicate Input and Relay Channel Status
- ✓ Screw Terminals for Easy Field Wiring



**Functional Description**

The 232DRIO provides a low-cost, easy to use solution for RS-232 serial port to discrete relay output applications. It offers one optically isolated input and two relay outputs. The General Purpose Control Module can be used to sense external ON/OFF conditions and to control a variety of devices. The 232DRIO includes a CD ROM with an instruction manual and demonstration programs written in QuickBASIC and C/C++.

**Ordering Information**

Model Number	Description
232DRIO	RS-232 Digital Relay I/O
<b>Accessories</b>	
232CAMR	DB25F to DB9M 6 inch adapter cord
232PS2	12VDC (100mA) Wall Transformer Power Supply
9PAMF10	10 ft - DB9 to DB9 Cable, Male to Female
9PAMF6	6 ft - DB9 to DB9 Cable, Male to Female

**Operation**

- The Instruction Manual contained on the CD ROM has detailed operational information.
- Table One is the RS-232 DB9F Pin-out. Note: this device is wired as DCE.
- Table Two is the I/O Line Terminal layout.

**Table 1**  
**RS-232 DB9F Pin-out (DCE)**

Pin	Signal	Direction
2	Receive Data (RD)	Output
3	Transmit Data (TD)	Input
5	Signal Ground	-----
9	Power	-----

Note: Pin 9 is NOT Required. Refer to Manual

**Table 2**  
**Terminal Block Layout**

Blue	Function	Black	Function
Pin 1	Ground Input Power	Pin 1	Opto-Isolated Input
Pin 2	+12VDC Input Power	Pin 2	Opto- Isolated Input
Pin 3	#2 – Normally Closed	Note	Non Polarized 0 – 30 VAC / VDC
Pin 4	#2 – Normally Open		
Pin 5	#2 – Common		
Pin 6	#1 – Normally Closed		
Pin 7	#1 – Normally Open		
Pin 8	#1 – Common		

**Specifications**

**Non-Polarized Optically Isolated Input**

Channels: 1

**Indication Mode**

Logic "0": LED On, Input Voltage High  
Logic "1": LED Off, Input Voltage Low

**Electrical Characteristics**

Input Voltage Low: Less Than 1.5VAC/VDC  
Input Voltage High: 5 – 30 VAC/VDC @ 1 – 30 mA  
Isolation Voltage: 2500 VAC RMS  
Leakage Current: 10 micro A (max)

**Power Supply**

Input Voltage: 9 to 16 VDC  
Input Current: 100 mA  
Connection: Blue terminal block field wiring or DB9F Pin 9 (see manual)

**Environment**

Op Temperature: 32 to 158 F (0 to 70 C)  
Op Humidity: 0 to 95% Non-condensing  
Storage Temp: -4 to 158 F (-20 to 70 C)  
Dimensions: 4.6 x 2.4 x 1.3 in (11.7 x 6.1 x 3.3 cm)  
MTBF: 141777 hours  
MTBF Calc Method: Parts Count Reliability Prediction

**Relay Outputs**

Channels: 2 Electromechanical Relays

**Indication Mode**

Logic "0": LED Off, Relays De-energized  
Logic "1": LED On, Relays Energized

**Relay Ratings**

Contact (standard): 10 A @ 120 VAC  
8 A @ 30 VDC (resistive)  
Max Switching Capacity: 1200VA / 240 W  
Max Operating Voltage: 250VAC / 125 VDC  
Max Carrying Current: 10A (AC), 8A (DC) – standard  
Min Permissible Load: 100mA @ 5 VDC  
Relay Form: Form C, SPDT  
Output Terminals: Normally Open or Normally Closed  
Operating Time: 10ms Max (mean 5.1 ms)  
Mechanical Life: 10 million operations minimum  
Load Dependent Life: 100 thousand operations minimum

**Communications**

Standard: RS-232 (Unit is DCE)  
Baud Rate: 9600  
Format: 8 data bits, 1 stop bit, no parity  
Connection: DB9F

## X-ON Electronics

Largest Supplier of Electrical and Electronic Components

*Click to view similar products for D-Sub Cables category:*

*Click to view products by B&B Electronics manufacturer:*

Other Similar products are found below :

[1200980218](#) [1200980067](#) [RB09P09P-006](#) [RB09P09P-012](#) [RB15P15P-006](#) [RB25P25P-006](#) [RB37P37P-024](#) [172-0906](#) [SHD15P15S-012](#)  
[SHD15P15S-036](#) [177-710-1-9S6K7-24MNN](#) [RB09P09P-024](#) [319285-3](#) [RS422-OM2](#) [SHD26P26S-060](#) [SHD44P44S-036](#) [73-6210MM-6](#)  
[C200H-CN320-EU](#) [49725A 060S2](#) [73231-1321](#) [SDB-50AFFM-SL7A02](#) [49760A 060S2](#) [HDB-26AFFM-SL7A02](#) [30-9503P](#) [30-9522P](#) [73-](#)  
[6220MM-6](#) [1200980058](#) [1200980066](#) [1200980078](#) [1200980052](#) [1200980093](#) [1200980028](#) [1200980021](#) [1200980127](#) [SDB-09AFFM-](#)  
[SL7A02](#) [BB-LDVYCBL](#) [83421-9286](#) [MLDM2L-21P-6K7-18B](#) [KSFD1](#) [MM-2J2-021-SS1-41WN](#) [HDB-78AMMM-SL7A05](#) [SDB-](#)  
[37AMMM-SL7A03](#) [SDB-15AFFM-SL7A05](#) [ACC-500-163-R](#) [172-1910](#) [VS-25-DSUB-20-LI-2,0](#) [VS-25-DSUB-20-LI-5,0](#) [30-9506MF](#)  
[MLDM2L-25P-6K7-18B](#) [2305622](#)