

# BB-232CDT

# BB-9PCDT



BB-232CDT

BB-9PCDT

## Introduction

Tap in on a serial data stream and transparently feed another monitor, printer or other device.

Model BB-9PCDT allows an RS-232 port to tap into and check data being transmitted between two other RS-232 ports. DIP switches set programming to monitor the main Transmit and Receive lines individually or together. Choose between monitoring the DCE or DTE port. Also allows the monitoring port to be either DTE or DCE. The DTE connector is male, and DCE and TAP connectors are female.

Model BB-232CDT has DIP switches that allow you to monitor the main Transmit and Receive lines individually or together. The male RS-232 connector on the top and the female RS-232 connector on the bottom are connected straight through, pin for pin. These connectors are used to connect the device – in series – with the RS-232 line to be tapped.

## RS-232 Data Taps

### Features

- Monitor and record serial data streams
- Easy to install, may be left in place
- Transparent connections
- No external power required
- CE / RoHS-3

### Ordering Information

Model No.	Straight Through Connectors	Monitoring Port
BB-232CDT	(1) DB25 Male, (2) DB25 Female	DB25 Female
BB-9PCDT	(1) DB9 Male, (1) DB9 Female	DB9 Female

### Accessories – Sold Separately

BB-9PAMF6 - DB9 male to DB9 female cable, 1.8 m (6 ft)

BB-232AMF5 - DB25 male to DB25 female cable, 1.8 m (6 ft)

### Specifications

Serial Technology	
<b>RS-232</b>	
BB-9PCDT	Straight-through ports: (1) DB9 male, (1) DB9 female Monitoring port: DB9 female
BB-232CDT	Straight-through ports: (1) DB25 male, (2) DB25 female Monitoring port: (1) DB25 female
Installation	In-line
<b>Mechanical</b>	
Weight	BB-9PCDT: 63.5 gm (0.14 lb) BB-232CDT: 90.7 gm (0.2 lb)
<b>Environmental</b>	
Operating Temperature	0 to +70 °C (+32 to +185 °F)
Storage Temperature	-40 to +85 °C (-40 to +185 °F)
Operating Humidity	0 to 95%, non-condensing
<b>Meantime Between Failures (MTBF)</b>	
MTBF, BB-232CDT	2010454 hours
MTBF, BB-9PCDT	3438790 hours
Calculation Method	Parts Count Reliability Prediction
<b>Regulatory – Approvals / Standards / Directives</b>	
CE - Directives	2011/65/EU amended by (EU) 2015/863 Reduction of Hazardous Substances Directive (RoHS) 2012/19/EU - Waste Electrical and Electronic Equipment (WEEE)
CE - Standards	NOTE: EMC Directive 2014/30/EU, Section 12, states: "This Directive should not regulate equipment which is inherently benign in terms of electromagnetic compatibility." Thus, neither the EMC Directive nor emissions and immunity EMC standards apply to this product.



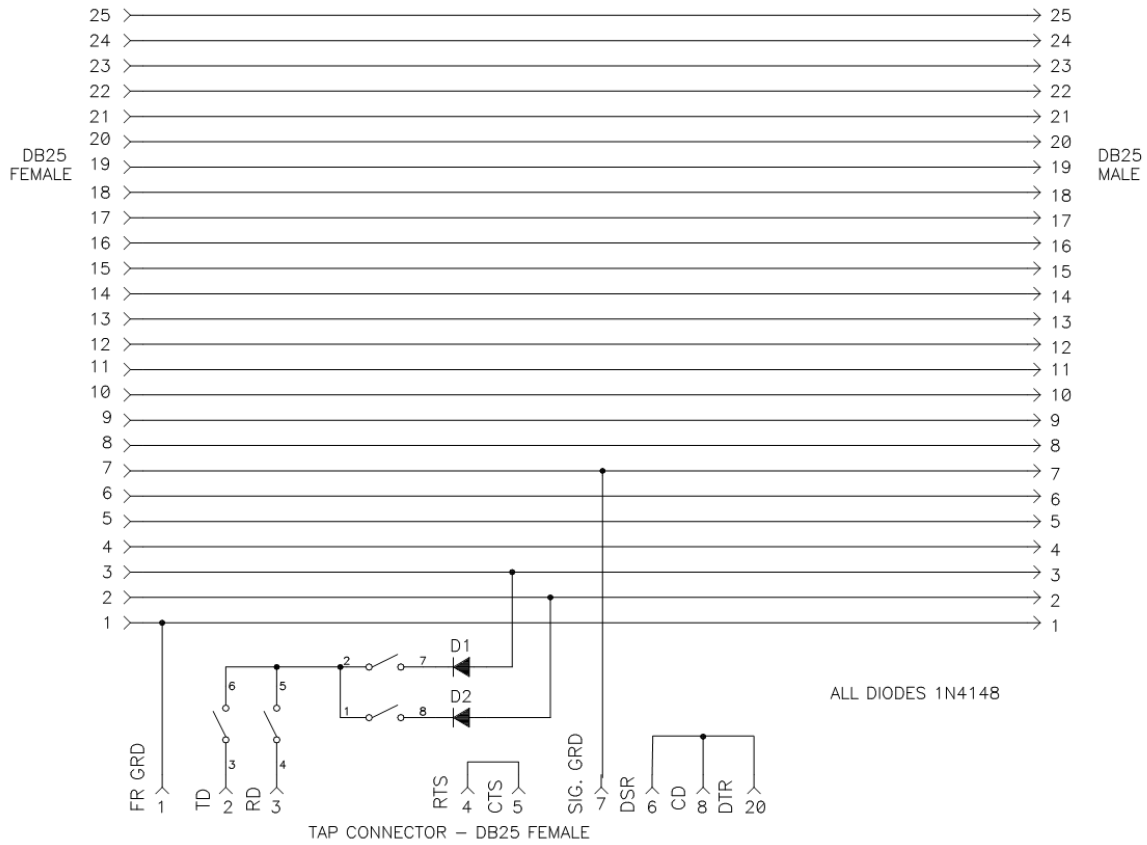
BB-232CDT



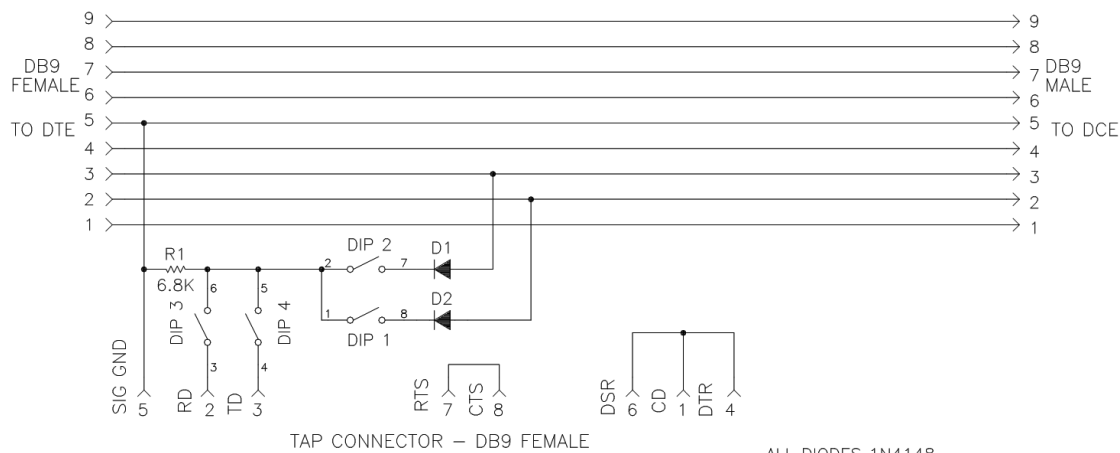
BB-9PCDT

BB-232CDT  
BB-9PCDT

### Dimensions – BB-232CDT



### Dimensions – BB-9PCDT



REV1-ADDED R1 FOR HIGHER BAUDRATE SUPPORT (UP TO 115.2K) NEWER PC HAD PROBLEM PULLING LINE DOWN OR TO -10V

## X-ON Electronics

Largest Supplier of Electrical and Electronic Components

*Click to view similar products for [D-Sub Tools & Hardware](#) category:*

*Click to view products by [B&B Electronics](#) manufacturer:*

Other Similar products are found below :

[000-01-09-132](#) [000-01-21-132](#) [000-01-31-162](#) [572019-00105-70](#) [000-01-37-162](#) [621-250-113-115](#) [D110550-2](#) [D20418-137](#) [780-518-50SG6-WS](#) [86552009](#) [86553115TLF](#) [86553117TLF](#) [1230032-1](#) [1-5021101-2](#) [1589283-4](#) [160-000-005R031](#) [16-000230](#) [160-025-004R031](#) [160-000-137R000](#) [160-020-209R000](#) [164C03939A](#) [177-505-A-2-2](#) [1-966830-8](#) [21018-6](#) [21028-2](#) [2-1393560-9](#) [JS-1000](#) [L17D204182M3E](#) [L17D53018](#) [300X10779X](#) [160X10189X](#) [160X10419X](#) [160X10959X](#) [162-000-050R000](#) [21018-5](#) [212561-3](#) [248C21550X](#) [CF15P](#) [QLOCKPOST-2](#) [D110277](#) [500-008NF1K-01](#) [500-008NF3R3KS-01](#) [500-017M09FN](#) [500-017M15MHN](#) [500-024M1](#) [500-068M3](#) [5-1393561-5](#) [C115373-0001](#) [C115373-0002](#) [3342-4-KIT](#)