

BB-2320PDR

RS-232 Repeater, Industrial



Features

- Extends RS-232 data another 15 meters
- 2,000V optical isolation on data lines
- Up to 115.2 kbps data rate
- Supports 2 data pairs or 1 data pair with control signals in both directions
- -40 to +80 °C wide operating temperature
- DIN rail mount, IP30 case
- UL Recognized
- 10-30 V_{DC} power (power supply required, not included, sold separately)

Specifications

RS-232

- **Connector** Terminal Block
- **Signals** 4 signal lines in each direction
Protected ground on isolated side
- **Data Rate** 115.2 kbps

Isolation

- **Method** Optical
- **Rating** 2000 V

Power

- **Connector** Terminal block
- **Voltage** 10 to 30 V_{DC}
- **Power Consumption** 1.2 W
- **Source** External

Terminal Blocks

- **Wire Size** 24 to 14 AWG
- **Torque** 4 kgf-cm

LED Indicators

- **Data LEDs (RED)** Data LED for each side of isolator
Flashes when data transmitted
- **Power LED (RED)** ON when power applied

Enclosure

- **Material** Plastic
- **IP Rating** IP30
- **Dimensions** 2.5 x 7.9 x 9.5 cm
- **Mounting** 35 mm DIN (panel mount adapter available)

Environmental

- **Operating Temperature** -40 to +80 °C
- **Storage Temperature** -40 to +85 °C
- **Operating Humidity** 0 to 95% Non-condensing

Meantime Between Failures (MTBF)

- **MTBF** 244689 hours
- **MTBF Calculation Method** MIL217F Parts Count Reliability

Approvals, Directives, Standards

- **CE, FCC, RoHS, KCC**
- **cULus Recognized**
- **EU - Directives** 2014/30/EU – Electromagnetic Compatibility Directive
2011/65/EU amended by 2015/863/EU – Reduction of Hazardous Substances Directive (RoHS)
2012/19/EU – Waste Electrical & Electronic Equipment (WEEE)
- **EU - Standards** EN 55032 Class B – Electromagnetic Compatibility of Multimedia Equipment – Emission Requirements
EN 55024 – Information Technology Equipment – Immunity Characteristics – Limits and Methods of Measurement

Ordering Information

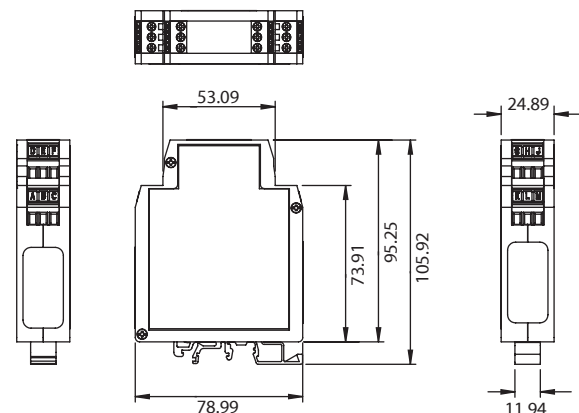
- **BB-2320PDR** RS-232 Repeater, Industrial

Accessories – sold separately

- **BB-MDR-20-24** DIN rail mount power supply 24 V_{DC}, 1.0 A output power

Dimensions

Unit: mm



X-ON Electronics

Largest Supplier of Electrical and Electronic Components

Click to view similar products for [Interface Modules](#) category:

Click to view products by [B&B Electronics](#) manufacturer:

Other Similar products are found below :

[IFD8520](#) [cPCI-3544](#) [422CON](#) [ATX6022/14GP7](#) [ATX6022/8](#) [AX93221-24/48](#) [FC6A-EXM2](#) [OPT8AP-AE](#) [96RMKVM-19V1C-A](#) [60016-011](#) [60016-014](#) [60006-008](#) [60011-075](#) [HPCI-14S12U](#) [cBP-3208](#) [cBP-3062A](#) [FAB205-6P5](#) [ATX6022/6](#) [60016-012](#) [96RMKVM-17V1C-A](#) [MOS-1120Y-0201E](#) [96RMLCD-17V1-A](#) [96RMKVM-17V8C-A](#) [60004-005](#) [60016-017](#) [60006-009](#) [60016-035](#) [60016-034](#) [60016-031](#) [60016-030](#) [60016-026](#) [60016-024](#) [60016-018](#) [60016-007](#) [60016-005](#) [60007-002](#) [60006-010](#) [AXX10GBTWLHW3](#) [382-BBEH](#) [555-BDCL](#) [K6CMISZBI52](#) [426451401-3](#) [60011-093](#) [MIC-3620/3-BE](#) [MPCIE-UART-KIT02-R20](#) [RSM232](#) [PCIE-1680-AE](#) [BB-FOSTCDRI](#) [73-544-002](#) [UC-313](#)