

# BB-422PP9R BB-422PP9TB

## RS-422 Converters, Port Powered



### Features

- Extend RS-232 data signals up to 1.2 km
- Change RS-232 TD and RD to balanced RS-422 signals
- Baud rates up to 115.2 kbps
- Quick, inline installation
- Powered from RS-232 handshake lines - no power supply required
- At least one handshake line must be present (positive or negative voltage) - no software control needed
- RS-232/RS-422 bidirectional transmission

### Specifications

#### Serial Technology

- **Data Rate** 115.2 kbps maximum

#### RS-232

- **Connector** BB-422PP9R: DB9 female  
BB-422PP9TB: DB9 female
- **Signals** TD, RD, RTS, CTS, DTR, DSR, DCD, (GND)

#### RS-422

- **Connector** BB-422PP9R: DB9 female  
BB-422PP9TB: Terminal block
- **Signals** TDA+, TDB+, RDS-, RDB+, (GND)
- **Operation** RS-422, 4-wire
- **Biassing Resistors** 4.7k Ohms
- **Termination** None

#### Power

- **Source** Port-powered from RS-232 handshake lines  
Optional, external 12-16 V<sub>DC</sub> power supply  
(BB-422PP9TB only)

#### Mechanical

- **Dimensions** BB-422PP9R: 6.1 x 3.3 x 1.7 cm  
BB-422PP9TB: 8.9 x 3.3 x 1.7 cm
- **Enclosure** Plastic, In-line
- **Weight** 45.3 gm

#### Meantime Between Failures (MTBF)

- **MTBF** BB-422PP9R: 2094328  
BB-422PP9TB: 849670
- **MTBF Calc. Method** MIL 217F Parts Count Reliability Prediction

#### Environmental

- **Operating Temperature** 0 to +70 °C
- **Storage Temperature** -40 to +85 °C
- **Operating Humidity** 0-95%, non-condensing

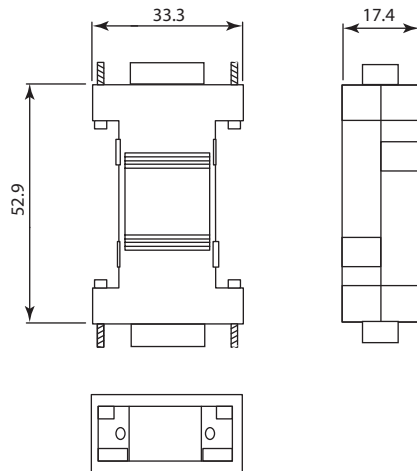
#### Approvals, Directives, Standards

- **FCC, CE**
- **CE - Directives** 2014/30/EU – Electromagnetic Compatibility Directive  
2011/65/EU amended by 2015/863/EU – Reduction of Hazardous Substances Directive (RoHS)  
2012/19/EU – Waste Electrical and Electronic Equipment (WEEE)
- **CE - Standards** EN 55032 Class A – Electromagnetic Compatibility of Multimedia Equipment – Emission requirements  
EN 55024 – Information Technology Equipment – Immunity Characteristics – Limits and methods of measurement  
EN 61000-6-4 + A1 – Generic Emission Standard for Industrial Environments (Class A)  
EN 61000-6-2 – Generic Immunity Standard for Industrial Environments

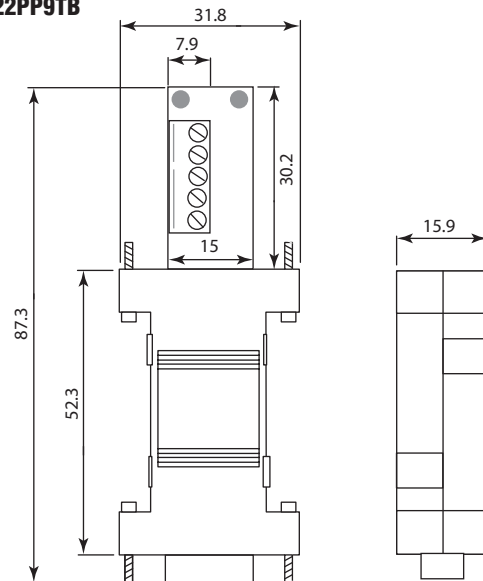
## Dimensions

Unit: mm

**BB-422PP9R**



**BB-422PP9TB**



## Ordering Information

Model Number	RS-232 Connector	RS-422 Connector	Output	External Power Option?
BB-422PP9R	DB9 Female	DB9 Female	RS-422	No
BB-422PP9TB	DB9 Female	Terminal Block	RS-422	Yes

### Accessories – Sold Separately

- **BB-SMI6-12-V-ST** 12V<sub>DC</sub>, 6W power supply, stripped/tinned, international AC input  
*(Note: external powering option for BB-422PP9TB only.)*
- **BB-9PAMF6** DB9 male to DB9 female adapter cable, 1.8 m

## X-ON Electronics

Largest Supplier of Electrical and Electronic Components

*Click to view similar products for [Interface Modules](#) category:*

*Click to view products by [B&B Electronics](#) manufacturer:*

Other Similar products are found below :

[IFD8520](#) [cPCI-3544](#) [422CON](#) [ATX6022/14GP7](#) [ATX6022/8](#) [AX93221-24/48](#) [FC6A-EXM2](#) [OPT8AP-AE](#) [96RMKVM-19V1C-A](#) [60016-011](#) [60016-014](#) [60006-008](#) [60011-075](#) [HPCI-14S12U](#) [cBP-3208](#) [cBP-3062A](#) [FAB205-6P5](#) [ATX6022/6](#) [60016-012](#) [96RMKVM-17V1C-A](#) [PCE-DP10-00A1E](#) [MOS-1120Y-0201E](#) [96RMLCD-17V1-A](#) [96RMKVM-17V8C-A](#) [60004-005](#) [60016-017](#) [60006-009](#) [60016-035](#) [60016-034](#) [60016-031](#) [60016-030](#) [60016-026](#) [60016-024](#) [60016-018](#) [60016-007](#) [60016-005](#) [60007-002](#) [60006-010](#) [AXX10GBTWLHW3](#) [382-BBEH](#) [555-BDCL](#) [K6CMISZBI52](#) [426451401-3](#) [60011-093](#) [MIC-3620/3-BE](#) [MPCIE-UART-KIT02-R20](#) [RSM232](#) [PCIE-1680-AE](#) [BB-FOSTCDRI](#) [73-544-002](#)