

BB-485COSR

RS-232 to RS-485 Serial Converter



Introduction

Model BB-485COSR converts unbalanced, full-duplex RS-232 signals to balanced full-duplex (4-wire) or half-duplex (2-wire) RS-485 signals.

The RS-232 port has a female DB25S connector with pins 2 (TD input) and 3 (RD output) supported. Protective Ground (pin 1) and Signal Ground (pin 7) are also passed through. Pins 4 (RTS) and 5 (CTS) are tied together. Pins 6 (DSR), 8 (CD), and 20 (DTR) are tied together, but not passed through the converter.

The RS-485 port has a male DB25P connector with Send Data outputs on pins 2 and 14, and Receive Data inputs on pins 3 and 16, or 5 and 17. No special software is needed since the RS-485 driver is enabled by the first transition on the RS-232 side of the Transmit Data line (Pin 2). Any transmission on the TD line keeps the RS-485 driver enabled by preventing the monostable multivibrator from timing out. The transmitter is disabled approximately 1 ms after the last transmitted character. This 1 ms timeout allows continuous transmission of data at 9600 baud or higher.

A 12 Vdc external power supply is required (not included, sold separately).

Table 1. Component Replacements for Changing Baud Rate Timeouts

| Baud Rate | Time (ms) | Resistor (R6) (Ohms) | Capacitor (C7) (mfd) |
|-----------|-----------|-------------------------|-------------------------|
| 300 | 33.3 | 330K | 0.1 |
| 600 | 16.6 | 160K | 0.1 |
| 1200 | 8.33 | 820K | 0.01 |
| 2400 | 4.16 | 430K | 0.01 |
| 4800 | 2.08 | 200K | 0.01 |
| 9600 | 1.04 | 100K | 0.01 |
| 19200 | .520 | 56K | 0.01 |
| 38400 | 0.260 | 27K | 0.01 |
| 57600 | 0.176 | 16K | 0.01 |
| 115200 | 0.0868 | 8.2K | 0.01 |

Features

- Converts RS-232 TD and RD to balanced RS-485
- Extend RS-232 data signals up to 1.2 km (4000 ft)
- Data rate: up to 115.2 kbps baud
- Quick, inline installation
- Automatic send data control – no software needed
- 12 Vdc power supply required (not included, sold separately)

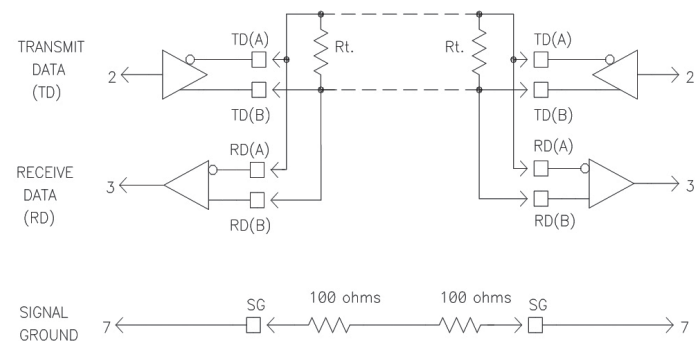
Ordering Information

| Model No. | RS-232 | RS-485 | Output |
|------------|-------------|-----------|--|
| BB-485COSR | DB25 Female | DB25 Male | RS-485 4-wire full-duplex or RS-485 2-wire half-duplex |

Accessories – Sold Separately

BB-SMI6B12V-P230C1 – Power Supply, 12 Vdc, 6 W, 2.5mm plug, international AC input, international AC blades (NATAM, EU, UK, Australia, China)

Interconnection Diagram

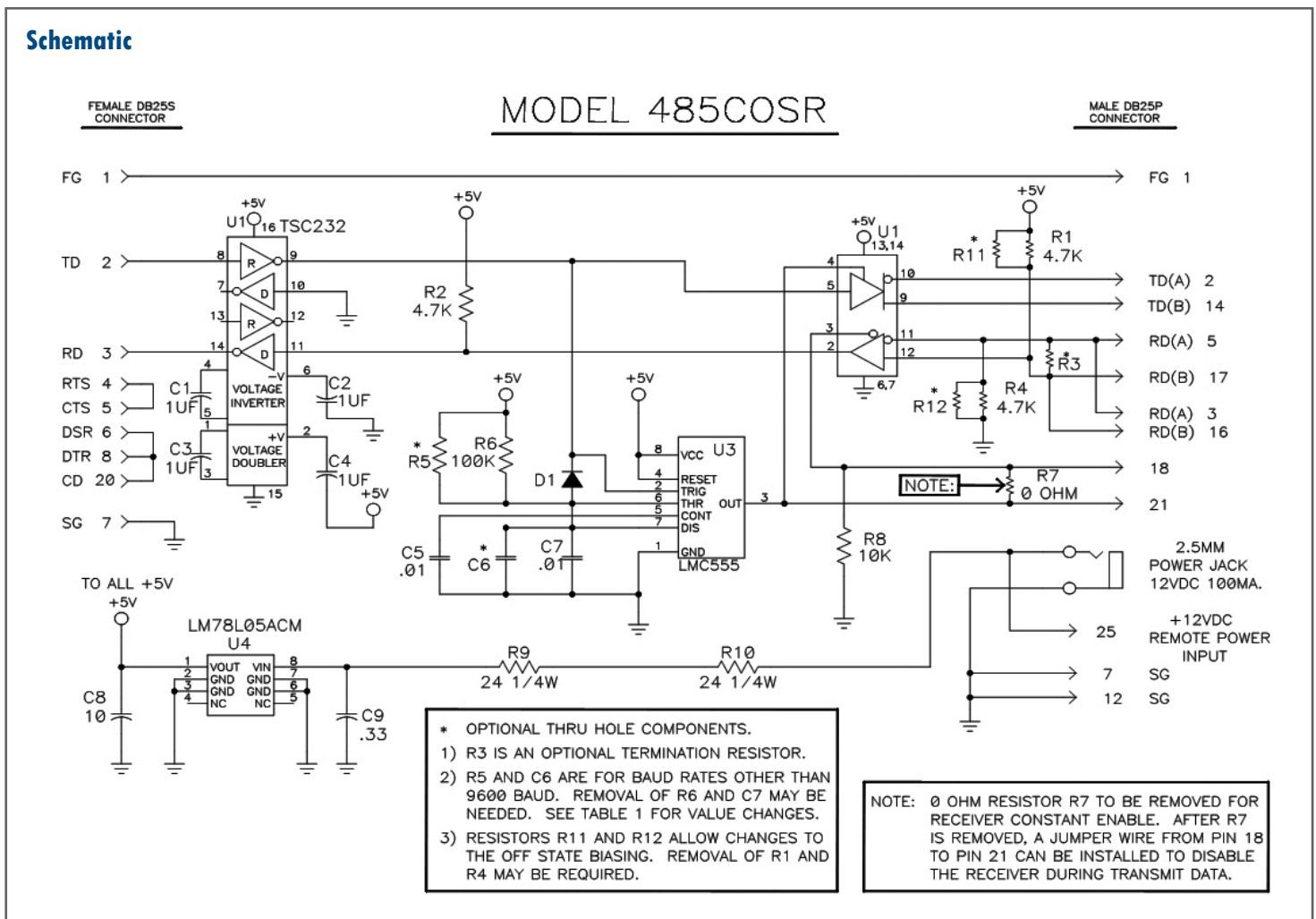


Specifications

| Serial Technology | |
|-----------------------|---|
| Data Rate | 115.2 Kbps, maximum |
| RS-232 Connector | DB25 female |
| RS-422 Connector | DB25 male |
| Signals | Converts RS-232 to RS-485 |
| Operation | 2-wire half-duplex or 4-wire full-duplex |
| Biasing Resistors | 4.7 Ohms |
| Termination | None |
| Power | |
| Source / Requirement | 12 Vdc, external power supply (required, not included, sold separately) |
| Mechanical | |
| Dimensions | 5.4 x 6.2 x 1.5 cm (2.1 x 2.4 x 0.6 in) |
| Environmental | |
| Operating Temperature | 0 to +70 °C (+32 to +158 °F) |
| Storage Temperature | -40 to +85 °C (-40 to +185 °F) |
| Operating Humidity | 0-95%, non-condensing |

| Regulatory – Approvals / Standards / Directives | |
|---|---|
| FCC, CE | |
| CE – Directives | 2014/30/EU – Electromagnetic Compatibility Directive (ECD) 2011-65/EU – Amended by (EU) 2015/863 Reduction of Hazardous Substances Directive (RoHS) 2012/19/EU – Waste Electrical and Electronic Equipment (WEEE) |
| CE – Standards | EN 55032 Class B – Electromagnetic Compatibility of Multimedia Equipment – Emission Requirements EN 55024 - Information Technology Equipment - Immunity Characteristics – Limits and Methods of Measurement |
| Other Standards | EN 61000-6-3 + A1 – Generic Emission Standard for Residential, Commercial and Light-industrial Environments (Class B) EN 61000-6-2 – Generic Immunity Standard for Industrial Environments |

Schematic



X-ON Electronics

Largest Supplier of Electrical and Electronic Components

Click to view similar products for [Interface Modules](#) category:

Click to view products by [B&B Electronics](#) manufacturer:

Other Similar products are found below :

[IFD8520](#) [cPCI-3544](#) [422CON](#) [ATX6022/14GP7](#) [ATX6022/8](#) [AX93221-24/48](#) [FC6A-EXM2](#) [OPT8AP-AE](#) [96RMKVM-19V1C-A](#) [60016-011](#) [60016-014](#) [60006-008](#) [60011-075](#) [HPCI-14S12U](#) [cBP-3208](#) [cBP-3062A](#) [FAB205-6P5](#) [ATX6022/6](#) [60016-012](#) [96RMKVM-17V1C-A](#) [MOS-1120Y-0201E](#) [96RMLCD-17V1-A](#) [96RMKVM-17V8C-A](#) [60004-005](#) [60016-017](#) [60006-009](#) [60016-035](#) [60016-034](#) [60016-031](#) [60016-030](#) [60016-026](#) [60016-024](#) [60016-018](#) [60016-007](#) [60016-005](#) [60007-002](#) [60006-010](#) [AXX10GBTWLHW3](#) [382-BBEH](#) [555-BDCL](#) [K6CMISZBI52](#) [426451401-3](#) [60011-093](#) [MIC-3620/3-BE](#) [MPCIE-UART-KIT02-R20](#) [RSM232](#) [PCIE-1680-AE](#) [BB-FOSTCDRI](#) [73-544-002](#) [UC-313](#)