

BB-485DRCi

Industrial RS-232 to RS-422/485 Converter



Features

- Converts RS-232 signals to RS-422/RS-485
- Three-way 2,000V optical isolation (input, output, power)
- Data rates up to 115.2 kbps
- Wide operating temperature: -40 to +80 °C
- DIN rail mountable
- UL Class 1/Division 2
- Modbus ASCII/RTU, Allen-Bradley® DH-485 compatible
- 10–48 Vdc input power range (power supply required, not included, sold separately)

Introduction

Model BB-485DRCi industrial-grade isolated serial converter changes RS-232 signals to RS-422 for increased range, or to RS-485 for increased range plus multi-drop capability.

Designed for rugged industrial use, the BB-485DRCi is UL approved and certified for operation in Class 1/Division 2 environments and offers 2,000V 3-way optical isolation on input, output, and power lines. In addition to optical isolation, the unit has surge suppression on the RS-422/485 lines. This DIN rail mountable converter optically isolates and converts unbalanced, full or half-duplex, RS-232 signals to balanced RS-422/485 signals at baud rates up to 115.2 kbps. Configuration is made via a 12-position DIP switch on the bottom of the converter.

Featuring Automatic Send Data Control circuitry, the converter does not require special software control of handshake signals in RS-485 mode. Removable terminal blocks for power and RS-422/485 signals make wiring easy. It is powered by a supply voltage of 10 to 48 Vdc which is isolated from all data and signal ground lines. An external power supply is required (not included, sold separately).

The BB-485DRCi may be suitable for use in Modbus and Allen-Bradley® DH-485 applications.

Ordering Information

Model No.	RS-232 Connector	RS-422/485 Connector	Isolation
BB-485DRCi	DB9 Female (DCE)	Removable Terminal Block	2 kV

Accessories – Sold Separately

BB-MDR-20-24 – Power supply, 24 Vdc, 1 A, DIN rail mount

BB-EK-CLIP-MPC – Replacement DIN rail clip

BB-TBKT1 – Replacement terminal block, 2-position, 5.08mm, 8A, 300V

BB-TBKT2 – Replacement terminal block, 5-position, 5.08mm, 8A, 300V

BB-31D1-28100 – Null Modem Adapter (Allen-Bradley® applications)

Automatic Send Data Control Explained

As operating systems become more complex, it is increasingly difficult to control an RS-485 driver with standard software and the RTS line. This is especially true in Windows and multi-tasking operating systems. With Automatic Send Data Control circuit, driver control is in the converter hardware, so you do not have to work with software at all.

The circuit monitors data flow and enables the driver during transmission and automatically disables it when no data is being sent. There is no need to rework software or install new drivers. Most Advantech RS-232 to RS-485 converters and RS-485 serial cards include Automatic Send Data Control.

Allen-Bradley® 1761-NET-AIC

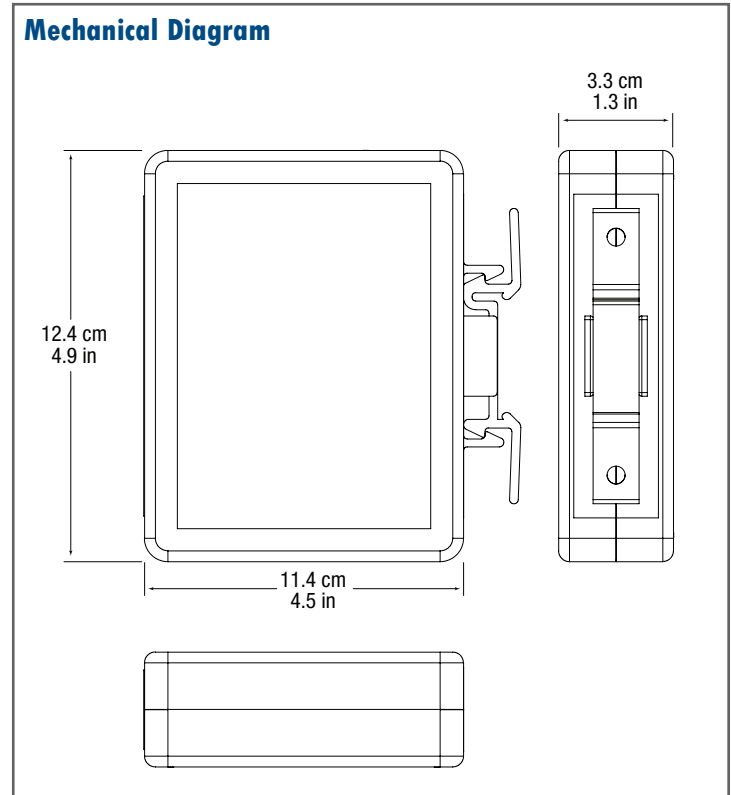
Model# BB-485DRCi can be used as a replacement for the Allen-Bradley® Advanced Interface Converter (AIC+) in some applications. The Model# 31D1-28100 null modem adapter accessory is required for these applications. Contact Advantech Technical Support for assistance regarding your specific installation needs. A White Paper is also available in the online technical library.



Specifications

Serial Technology	
Data Rate	1.2 to 115.2 kbps
RS-232	
Connector	DB9 female (DCE)
Signals	TD, RD, GND
RS-422/485	
Connector	Removable terminal block, 28 to 14 AWG
RS-485, 2-wire	Data A(-), Data B(+), GND
RS-422/485, 4-wire	TDA(-), TDB(+), RDA (-), RDB(+), GND
Isolation	
Rating	2,000 V
Lines Protected	3-way (input, output, power lines)
Method	Optical
Surge Suppression	
Lines Protected	Data lines
Rating	600W peak power dissipation
Clamping/Response Time	< 1 pico-second
Industrial Bus	
Modbus	ASCII / RTU
DH-485	Allen-Bradley® Data Highway 485 (DH-485)
Power	
Connector	Removable terminal block, 28 to 14 AWG
Voltage	10-48 Vdc
Consumption	960 mW
Source	External power required (not included, sold separately)
Mechanical	
LED Indicators	Transmit, Receive, Power
Dimensions	11.4 x 3.3 x 12.4 cm
Enclosure	35mm DIN mount, plastic, IP30
Weight	204.12 gm
Environmental	
Operating Temperature	-40 to +80 °C
Storage Temperature	-40 to +85 °C
Operating Humidity	0 to 95%, non-condensing
Meantime Between Failures (MTBF)	
MTBF	254617 hours
Calculation Method	MIL 217F Parts Count Reliability Prediction
Class 1 / Division 2 Wiring	
Type	Solid copper only
Size	28 to 14 AWG
Temperature	+105 °C, minimum
Terminal Torque	0.5 Nm (Newton-meters)
Regulatory – Approvals / Standards / Directives	
FCC Part 15, CE, UL C1/D2, cUL 508	
CE Directives	2014/30/EU – Electromagnetic Compatibility Directive 2011/65/EU amended by (EU) 2015/863 Reduction of Hazardous Substances Directive (RoHS) 2012/19/EU – Waste Electrical and Electronic Equipment (WEEE)
CE Standards	EN 55032 Class B – Electromagnetic Compatibility of Multimedia Equipment - Emission Requirements EN 55024 – Information Technology Equipment – Immunity Requirements
IEC Standards	EN 61000-6-1 – Generic Immunity Standards for Residential, Commercial and Light-Industrial Environments

Mechanical Diagram



X-ON Electronics

Largest Supplier of Electrical and Electronic Components

Click to view similar products for [Interface Modules](#) category:

Click to view products by [B&B Electronics](#) manufacturer:

Other Similar products are found below :

[IFD8520](#) [cPCI-3544](#) [422CON](#) [ATX6022/14GP7](#) [ATX6022/8](#) [AX93221-24/48](#) [FC6A-EXM2](#) [OPT8AP-AE](#) [96RMKVM-19V1C-A](#) [60016-011](#) [60016-014](#) [60006-008](#) [60011-075](#) [HPCI-14S12U](#) [cBP-3208](#) [cBP-3062A](#) [FAB205-6P5](#) [ATX6022/6](#) [60016-012](#) [96RMKVM-17V1C-A](#) [MOS-1120Y-0201E](#) [96RMLCD-17V1-A](#) [96RMKVM-17V8C-A](#) [60004-005](#) [60016-017](#) [60006-009](#) [60016-035](#) [60016-034](#) [60016-031](#) [60016-030](#) [60016-026](#) [60016-024](#) [60016-018](#) [60016-007](#) [60016-005](#) [60007-002](#) [60006-010](#) [AXX10GBTWLHW3](#) [382-BBEH](#) [555-BDCL](#) [K6CMISZBI52](#) [426451401-3](#) [60011-093](#) [MIC-3620/3-BE](#) [MPCIE-UART-KIT02-R20](#) [RSM232](#) [PCIE-1680-AE](#) [BB-FOSTCDRI](#) [73-544-002](#) [UC-313](#)