

Switching 10/100 Mbps Media Converter Module

McLIM TP-TX/FX



PRODUCT FEATURES

- Modular, hot-swappable architecture reduces operational costs associated with product installations, upgrades and maintenance
- One 10/100 Mbps twisted pair port with and RJ45 connector
- One 100 Mbps fiber port with ST and SC connectors
- Plug-and-play operation

Your network is growing and many new access points, workstations, etc. are required. However, legacy equipment, along with your existing wiring infrastructure, must work with any new equipment you implement in your network. When copper-to-fiber conversions are required, along with advanced troubleshooting features, our MediaConverter Series is the perfect solution.

MediaConverter Series enables you to easily and cost-effectively connect one type of media to other dissimilar media or networking products. This series increases the functionality and extends the productive life of both your legacy cabling infrastructure and networking equipment when adding fiber to your network.

ORDERING INFORMATION

MODEL NUMBER	FIBER	FIBER PORTS	RANGE	ETHERNET PORTS	ETHERNET CONNECTOR
McLIM TP-TX/FX					
855-12620	MM850-ST	1	220/550 m	1	RJ45
855-12621	MM850-SC	1	220/550 m	1	RJ45
855-12622	MM1300-ST	1	5 km	1	RJ45
855-12623	MM1300-SC	1	5 km	1	RJ45
855-12624	SM1310/PLUS-ST	1	40 km	1	RJ45
855-12625	SM1310/PLUS-SC	1	40 km	1	RJ45
SINGLE-STRAND FIBER *					
855-12642	SSFX-SM1310-SC	1	20 km	1	RJ45
855-12643	SSFX-SM1550-SC	1	20 km	1	RJ45
855-12644	SSFX-SM1310/PLUS-SC	1	40 km	1	RJ45
855-12645	SSFX-SM1550/PLUS-SC	1	40 km	1	RJ45

*These products have single-strand fiber technology. Deploy in pairs or connect another compatible B&B IMC LLC single-strand fiber product.

Switching 10/100 Mbps Media Converter Module

McLIM TP-TX/FX



SPECIFICATIONS

TECHNICAL

- Install in any MediaConverter chassis
- 50/125µm or 62.5/125µm multi-mode fiber
- 9/125µm single-mode fiber
- Include diagnostic LEDs
- Include hot-swappable architecture
- 10Base-T twisted pair
- 100Base-TX twisted pair
- 100Base-FX or SX fiber
- AutoCross for MDI/MDIX
- Features Auto Negotiation

CONNECTORS

- RJ45, ST and SC
- Supports Half- and Full-Duplex operation

MECHANICAL

- Dimensions 0.75"H x 2.50"W x 4"D
(2.20 x 6.41 x 10.25 cm)
- Shipping Weight 0.7 lbs. (0.3 kg)

ENVIRONMENTAL

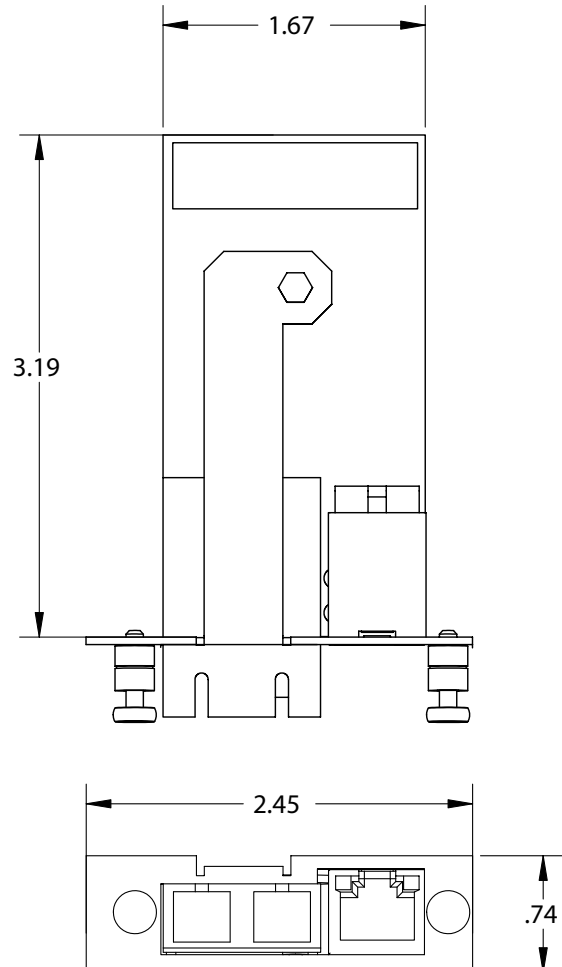
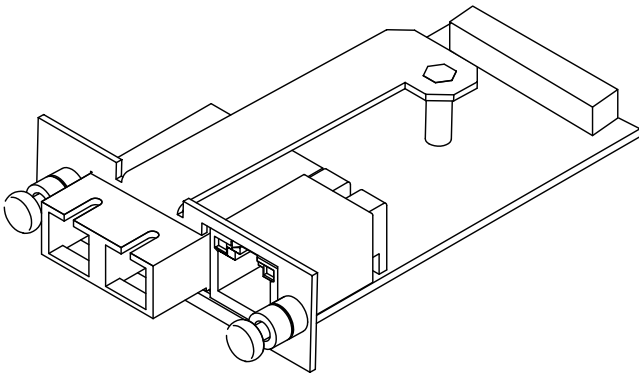
- Operating Temperature +32° to +122° F (0° to +50° C)
- Storage Temperature: -13° to +158°F (-25° to +70° C)
- Operating Humidity 5% to 95% (non-condensing)

REGULATORY APPROVALS

- FCC Class B
- UL/cUL, CSA, CE

MECHANICAL DIAGRAM

(dimensions in inches)



X-ON Electronics

Largest Supplier of Electrical and Electronic Components

Click to view similar products for [Ethernet Modules](#) category:

Click to view products by [B&B Electronics](#) manufacturer:

Other Similar products are found below :

[TDKEZW3](#) [V23993-USB1029A](#) [100-POE4](#) [I210T1BLK](#) [X520QDA1](#) [BCM84794A1KFSBG](#) [X520DA2OCP](#) [808-38157](#) [7506GX2](#) [TC](#)
[EXTENDER 2001](#) [ETH-2S](#) [105FX-SC-MDR](#) [110FX2-SC](#) [7000-P3201-P050150](#) [750-1515](#) [750-494](#) [750-495](#) [750-497](#) [750-501](#) [750-612](#)
[750-613](#) [750-627](#) [750-643](#) [750-940](#) [753-440](#) [753-540](#) [753-650/003-000](#) [852-1322](#) [852-1328](#) [852-1812](#) [852-1813](#) [852-1816](#) [LANTICK PE-](#)
[0-16](#) [LANTICK PE-16-0](#) [RBMTXLITE-L4X2.X.X.X.X.](#) [USR-TCP232-T2](#) [2017008](#) [EKI-7708E-4F-AE](#) [EKI-7708E-4FP-AE](#) [EKI-7708G-](#)
[4FP-AE](#) [2352903-2](#) [753-620](#) [EGU-0702-SFP-T](#) [EKI-2706G-1GFPI-BE](#) [SW-125](#) [SW-525](#) [SW-725](#) [7000-74712-4780030](#) [7000-74712-](#)
[4780060](#) [7000-74712-4780100](#) [7000-74712-4780150](#)