

Industrial Serial to Fiber Optic Converters

Models BB-FOSTCDRI, BB-FOSTCDRI-INV

ADVANTECH

www.advantech.com



FEATURES

- Converts serial data signals to multi-mode ST fiber
- 2000V 3-way optical isolation (input/output/power); EMI/RFI protection
- Data rate: up to 115.2 kbps
- Wide operating temperature: -40 to +80 °C
- DIN mount, IP20 plastic case
- UL Class 1 / Division 2
- Modbus ASCII/RTU compatible
- 10–48 VDC power source required (not included, sold separately)
- Inverted fiber state option (Model# BB-FOSTCDRI-INV)

Model BB-FOSTCDRI is a premium industrial serial to multi-mode fiber optic converter. Its rugged design is UL Approved and certified for Class 1/Division 2 industrial environments. It extends data communications up to 4 km (2.5 mi). It provides three-way optical isolation on the input, output and power lines.

In addition to direct point-to-point connectivity, it is capable of operating in a multi-drop mode. This allows one serial device to communicate with up to 31 other devices around a fiber ring. Since it supports mixed standards, you can replace other converters and isolators and add the EMI / RFI protection inherent to fiber optic communications.

In RS-232 mode, the converter supports Transmit and Receive data. Handshaking signals are not passed through. An Automatic Send Data Control circuit controls the RS-422/485 driver chip, eliminating the requirement for external software.

Easy to install and configure, it has a 12-position DIP switch on the bottom to configure RS-422/485 parameters. Serial data and power cables connect to removable terminal blocks. ST connectors are used for the fiber.

A 10-30 VDC external power source is required (power supply not included, sold separately).

Model BB-FOSTCDRI-INV features an “inverted fiber state” and is suitable for applications requiring the fiber optic transmit light to be Off in the idle state.

ORDERING INFORMATION

MODEL NUMBER	SERIAL CONNECTOR	FIBER CONNECTOR	ISOLATION
BB-FOSTCDRI	Terminal Block	Multi-mode ST	2000 V
BB-FOSTCDRI-INV *	Terminal Block	Multi-mode ST	2000 V

* Inverted fiber state – fiber is Off in the idle state.

ACCESSORIES - sold separately

BB-MDR-40-24 - 24 VDC, 1A, slim-line DIN rail power supply

BB-TBKT1 - Replacement Terminal Block - 2-position, 5.08mm, 8A, 30

BB-TBKT2 - Replacement Terminal Block - 5-position, 5.08mm, 8A, 30

What is the difference between Model BB-FOSTCDRI and Model BB-FOSTCDRI-INV?

Model BB-FOSTCDRI keeps the light in the fiber turned On when no data is transmitted and the input signal is in the MARK state (idle). If light is lost or too low, the electrical signals go to the SPACE state. The input signal turns the light Off/On in step with the data. This model has an indicator for Transmit and Receive, if no light is received, the RD LED will come on, the RD output will be positive relative to GND (normally negative), and in RS-422 or RS-485 mode, no light will set the TD(A)- line high relative to TD(B)+. The usual voltage with light in the fiber and no signal sets the B line high relative to A (about 4.4 Volts DC no termination).

Model BB-FOSTCDRI-INV is the opposite. The fiber is Off in the idle state.

All product specifications are subject to change without notice.
BB-FOSTCDRI, BB-FOSTCDRI-INV_1220ds

ADVANTECH

Advantech B+B SmartWorx, 707 Dayton Road, PO Box 1040 Ottawa, IL 61350 USA 1 (800)346-3119/Toll Free | orders@advantech-bb.com | support@advantech-bb.com

Industrial Serial to Fiber Optic Converters

Models BB-FOSTCDRI, BB-FOSTCDRI-INV

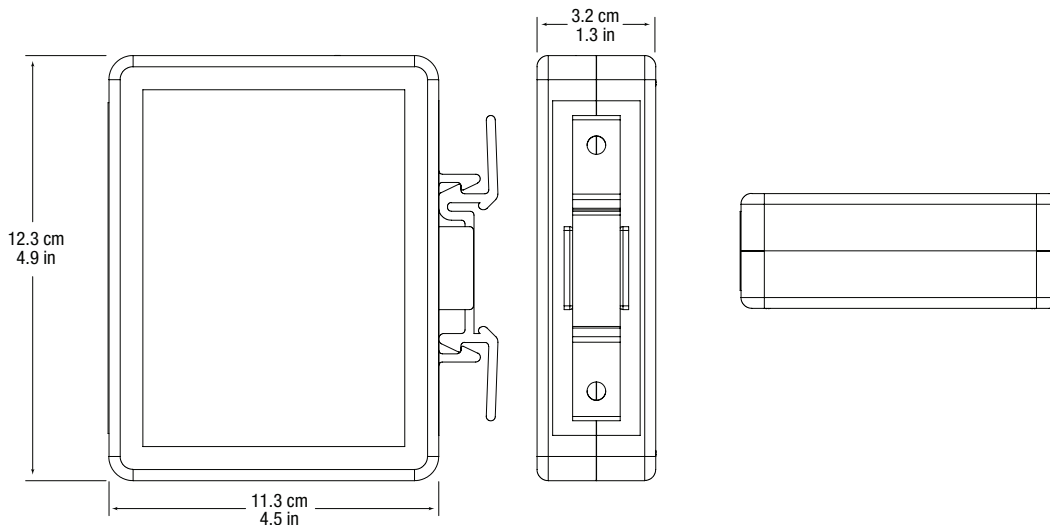


SPECIFICATIONS

SERIAL TECHNOLOGY	
Data Rate	9.6 to 115.2 kbps
RS-232	
Connector	Removable terminal block, 5-position
Signals	TD, RD, GND
RS-422/485	
Connector	5-position, removable terminal block
RS-485, 2-wire	Data A(-), Data B(+), GND
RS-422/485, 4-wire	TDA(-), TDB(+), RDA(-), RDB(+), GND
Bias	Built-in, switchable, 1.2K Ω
Termination	Built-in, switchable, 120 Ω
ISOLATION	
Rating	2kV RMS, 1 minute
Surge Protection	600 W peak power dissipation
Clamping Time	< 1 pico-second
Lines Protected	3 (input, output, power)
Method	Optical
FIBER OPTIC TECHNOLOGY	
Type / Wavelength	Multi-mode / 820 nm
Output Power	-16dBm minimum, -12dBm typical, -9dBm maximum
Receive Sensitivity	-24dBm minimum, -25.4dBm maximum
Cable	62.5/125 micro-meter
Connector	ST
Data Rate	9.6 to 115.2 kbps
Maximum Distance	4 km (2.5 mi)
Idle State, BB-FOSTCDRI	Transmitter light ON
Idle State, BB-FOSTCDRI-INV	Transmitter light OFF
INDUSTRIAL BUS	
Modbus	ASCII/RTU
POWER	
Source	External, required (not included, sold separately)
Input Voltage	10 to 48 VDC (56 VDC maximum)
Consumption	0.5 W (typical), 1.3W (with termination)
Connector	2-position, removable terminal block, 24 to 14 AWG

TERMINAL BLOCKS	
Wire Size Accepted	28 to 12 AWG
Pitch	5.08 mm
Insulation Resistance	\geq 500 M Ω @ 500 VDC
Maximum Torque	5 kg / cm
LED INDICATORS	
Power	Red LED
FO Receive	Red LED
FO Transmit	Red LED
MECHANICAL	
Dimensions	12.3 x 11.3 x 3.2 cm
Enclosure	IP 20 plastic, 35 mm DIN mount
Weight	199.6 gm
ENVIRONMENTAL	
Operating Temperature	-40 to +80 $^{\circ}$ C
Storage Temperature	-40 to +85 $^{\circ}$ C
Operating Humidity	0 to 95% non-condensing
MEANTIME BEFORE FAILURE (MTBF)	
MTBF	138904 hours
MTBF Calculation Method	MIL 217F Parts Count Reliability Prediction
APPROVALS, DIRECTIVES, STANDARDS	
FCC Part 15, CE UL Class1/Division2, Groups A, B, C, D	
Directives	2014/30/EU - Electromagnetic Compatibility Directive 2011/65/EU amended by (EU) 2015/863 Reduction of Hazardous Substances Directive (RoHS) 2012/19/EU - Waste Electrical and Electronic Equipment (WEEE)
Standards	EN 55032 Class B - Electromagnetic compatibility of multimedia equipment - Emission requirements EN 55024 - Information technology equipment - Immunity characteristics - Limits and methods of measurement EN 61000-6-3 A1 - Generic emission standard for residential, commercial and light-industrial environments (Class B) EN 61000-6-1 - Generic immunity standards for residential, commercial and light-industrial environments

MECHANICAL DIAGRAM



X-ON Electronics

Largest Supplier of Electrical and Electronic Components

Click to view similar products for [Interface Modules](#) category:

Click to view products by [B&B Electronics](#) manufacturer:

Other Similar products are found below :

[IFD8520](#) [cPCI-3544](#) [422CON](#) [ATX6022/14GP7](#) [ATX6022/8](#) [AX93221-24/48](#) [FC6A-EXM2](#) [OPT8AP-AE](#) [96RMKVM-19V1C-A](#) [60016-011](#) [60016-014](#) [60006-008](#) [60011-075](#) [HPCI-14S12U](#) [cBP-3208](#) [cBP-3062A](#) [FAB205-6P5](#) [ATX6022/6](#) [60016-012](#) [96RMKVM-17V1C-A](#) [PCE-DP10-00A1E](#) [MOS-1120Y-0201E](#) [96RMLCD-17V1-A](#) [96RMKVM-17V8C-A](#) [60004-005](#) [60016-017](#) [60006-009](#) [60016-035](#) [60016-034](#) [60016-031](#) [60016-030](#) [60016-026](#) [60016-024](#) [60016-018](#) [60016-007](#) [60016-005](#) [60007-002](#) [60006-010](#) [AXX10GBTWLHW3](#) [382-BBEH](#) [555-BDCL](#) [K6CMISZBI52](#) [426451401-3](#) [60011-093](#) [MIC-3620/3-BE](#) [MPCIE-UART-KIT02-R20](#) [RSM232](#) [PCIE-1680-AE](#) [BB-FOSTCDRI](#) [73-544-002](#)