

Industrial Modbus Ethernet to Serial Gateways - copper

Models BB-MESR901, BB-MESR902T

ADVANTECH

www.advantech.com



Model BB-MESR901

FEATURES

- Bridge Modbus TCP Ethernet and RS-232/422/485 networks
- Modbus TCP, ASCII, RTU (up to 16 masters & 32 slaves)
- Data rate: up to 230.4 kbps
- -40 to +80 °C wide operating temperature range
- IP30 case, DIN rail mount, (panel mount option)
- 10-48 VDC input required (power supply not included, sold separately)
- UL Class 1/Division 2

MESR900 series Copper Modbus Gateways bridge devices on Modbus serial networks (RS-232, RS-422 or RS-485) with those on Modbus TCP networks allowing seamless integration. Serial ports can be accessed over a LAN or WAN using Direct IP Mode connections.

Supporting up to 16 masters and 32 slaves, these gateways feature auto-detecting 10/100 copper options. Serial data rates up to 230 kbps ensure maximum network flexibility.

MESR900 series Copper Modbus Gateways are built for use in industrial environments, featuring a slim IP30 DIN rail mountable case.

They operate from a range of DC power supply voltages and have pluggable terminal block connectors. An external power supply, sold separately, is required. Easy-to-use software is designed for Windows 2000, 2003 Server, XP, Vista, 2008 Server, 7, 8, 10.

ORDERING INFORMATION

| MODEL NUMBER | SERIAL PORTS | SERIAL CONNECTOR | ETHERNET PORT | ETHERNET CONNECTOR |
|--------------|--------------|-----------------------|---------------|--------------------|
| BB-MESR901 | 1 | DB9 or Terminal Block | (1) Copper | RJ45 |
| BB-MESR902T | 2 | Terminal Block | (1) Copper | RJ45 |

ACCESSORIES – sold separately

BB-MDR-20-24 - 24VDC, 1.0 A output power, DIN rail mount power supply

BB-MDR-40-24 - 24VDC, 1.7 A output power, DIN rail mount power supply

BB-TBKT1 - Replacement Terminal Block - 2-position, 5.08mm, 8A, 30

BB-TBKT2 - Replacement Terminal Block - 5-position, 5.08mm, 8A, 30

All product specifications are subject to change without notice.
BB-MESR9xx Copper Series_0920ds

ADVANTECH

Advantech B+B SmartWorx, 707 Dayton Road, PO Box 1040 Ottawa, IL 61350 USA 1 (800)346-3119/Toll Free | orders@advantech-bb.com | support@advantech-bb.com

Industrial Modbus Ethernet to Serial Gateways - copper

Models BB-MESR901, BB-MESR902T

Model BB-MESR902T



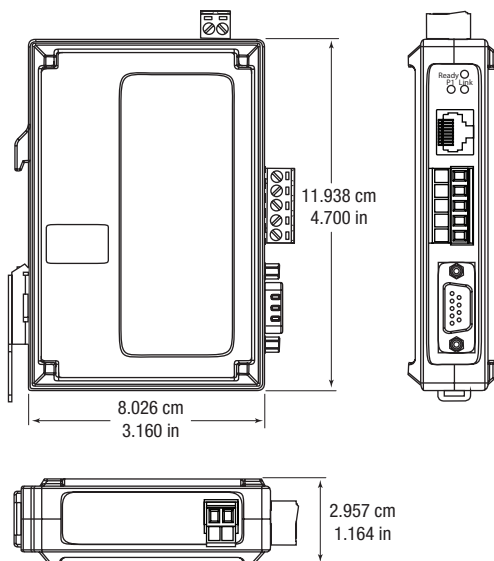
SPECIFICATIONS

| SERIAL TECHNOLOGY | |
|----------------------------------|--|
| RS-232 | TD, RD, RTS, CTS, DTR, DCR, DTD, GND |
| RS-485 2-Wire | Data A(-), Data B(+), GND |
| RS-422/485 4-Wire | TDA(-), TDB(+), RDA(-), RDB(+), GND |
| Serial Connector/s | DB9M or Removable Terminal Blocks; 12 to 28 AWG |
| Data Rate | Up to 230.4 Kbps |
| POWER | |
| Source | External, required (not included, sold separately) |
| Input Voltage | 10 to 48 VDC (58 VDC, maximum) |
| Connector | Removable Terminal Block (12 to 28 AWG) |
| POWER CONSUMPTION | |
| BB-MESR90X | 4.0 Watts |
| MECHANICAL | |
| LED Indicators | Serial Port, Ethernet Link, Ready |
| Switches | Reset Button |
| Dimensions | 11.94 x 8.03 x 2.96 cm |
| Weight | 149.7 gm |
| ENVIRONMENTAL | |
| Operating Temperature | -40 to +80 °C |
| Operating Humidity | 0 to 95%, non-condensing |
| MEANTIME BETWEEN FAILURES (MTBF) | |
| MTBF | ~132309 hours |
| MTBF Calc Method | Parts Count Reliability Prediction |
| NETWORK | |
| Serial Memory | 8 KB per port |
| Network Memory | 4 KB |
| LAN | 10/100 Mbps, auto-detecting |
| Ethernet | IEEE 802.3 auto-detecting & auto MDI/MDX 10/100 |

| PROTOCOLS | |
|--------------------------------------|--|
| Protocols | TCP, IPv4, ARP, HTTP 1.0, ICMP/PING, DHCP/BOOTP |
| IP Mode | Static, DHCP |
| TCP | User definable |
| OTHER | |
| Mode | Modbus RTU Master / Slave Modbus ASCII Master / Slave |
| Search | Serial direct COM and Ethernet Auto Search or specific IP |
| Diagnostics | Display PC IP, ping, test VCOM, save test config. (text readable) |
| Firmware Upgrade | via Vlinx Manager |
| ETHERNET PASS-THROUGH PORT (MESR92X) | |
| Standards | IEEE 802.3, 802.3u, 802.3x |
| Processing Type | Store & Forward with 802.3x full duplex, non-blocking flow control |
| Flow Control | IEEE 802.3x flow control, back pressure flow control |
| MAC Address Table | 2K |
| CONFIGURATION SOFTWARE | |
| Vlinx Manager - Windows O/S | 2000, XP, 2003 Server, Vista, 2008 Server, 7, 8, 10 (32/64 bit) |
| APPROVALS / DIRECTIVES/ STANDARDS | |
| Compliance | FCC, CE |
| UL | UL Listed UL Class 1/Division 2, Groups A, B, C, D (HAZLOC) 2014/30/EU - Electromagnetic Compatibility (EMC) 2011/65/EU amended by (EU) 2015/863 Reduction of Hazardous Substances Directive (RoHS) |
| CE - Directives | 2012/19/EU - Waste Electrical and Electronic Equipment (WEEE) EN 55032 Class B - Electromagnetic Compatibility of Multimedia Equipment - Emission Requirements |
| CE - Standards | EN 55024 - Information Technology Equipment - Immunity Characteristics - Limits and Methods of Measurement (ITE) |

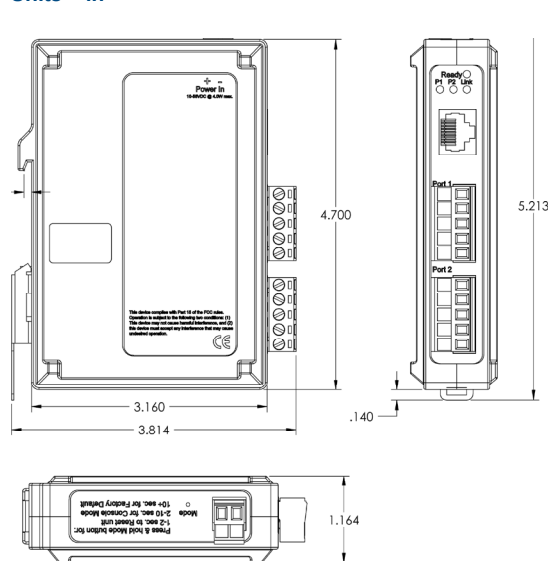
MECHANICAL DIAGRAM - BB-MESR901

Units = cm / in



MECHANICAL DIAGRAM - BB-MESR902T

Units = in



X-ON Electronics

Largest Supplier of Electrical and Electronic Components

Click to view similar products for [Gateways](#) category:

Click to view products by [B&B Electronics](#) manufacturer:

Other Similar products are found below :

[BB-SG30000324-51](#) [MTCDTIP-LEU1-275L-868](#) [MTCDDT-LEU1-246A-868-EU-GB](#) [WOP-2000G-N2AE](#) [ESRP-PCS-ECU1251](#) [BB-SG30300525-42](#) [BB-SG30500520-42](#) [SGX5150202US](#) [SGX5150102US](#) [RG191](#) [UPS-EDGE-X70864-U01](#) [UPS-EDIOT-X70864-UW01](#) [ADAM-4572-CE](#) [ADAM-6717-A](#) [ECU-1152-R11ABE](#) [EKI-1222-CE](#) [EKI-1224-CE](#) [EKI-1224CI-CE](#) [ICR-3201](#) [ICR-3201-W](#) [ICR-3211B](#) [UNO-220-P4N1AE](#) [UNO-2271G-W1032GE](#) [WISE-3310-D100L1E](#) [WISE-3610ILS-51A1N](#) [WISE-6610-E100-A](#) [WISE-6610-N100-A](#) [AKX00016](#) [MESR901](#) [MESR902T](#) [X2-Z11-EM-A](#) [X2-HMU-EM-B](#) [X4-Z1U-B101-A](#) [SGX5150020US](#) [SGX5150225US](#) [SGX51501M2ES](#) [SGX51502N5ES](#) [XPC240200B-02](#) [XPC240400B-02](#) [XPC240100S-02](#) [XPC240200S-02](#) [XPC240300S-02](#) [XPC240400S-02](#) [XPC250100S-02](#) [XPE200100S](#) [WSDA-2000](#) [WSDA-200-USB](#) [1120780001](#) [1120780002](#) [MTCDDT-246A-868-EU-GB](#)