

BB-UH104

Four-port Industrial USB 2.0 Hub



Features

- Expands 1 USB port to 4 USB ports (USB 2.0)
- 15 kV ESD protection
- USB 2.0, 480 Mbps, high speed
- Wide operating temperature (-40 to +80 °C)
- Rugged panel mount case (mounting brackets included)
- High retention USB connectors hold cables tight
- USB cable required (sold separately)

Specifications

USB Interface

- **Standards** USB 2.0 (1.1 compatible)
- **Upstream Port** (1) Type B Female – High Retention
- **Downstream Port** (4) Type A Female – High Retention
- **Speed** 480 Mbps on each port
Multi-transaction Translator, 1 per port
- **ESD** 15 kV Air, 8 kV Contact
- **High Retention** USB ports require 15 N - 1.54kg withdrawal force using standard USB cable

Power

- **Source** 5 V_{DC} from USB bus
- **Downstream Power** 100 mA per port

Mechanical

- **Dimensions** 61 x 44.5 x 27.9 mm
- **Enclosure** IP 30, Polycarbonate Plastic
- **Weight** 49.90 g
- **MTBF** 552747 Hours
- **MTBF Calc. Method** MIL 217F Parts Count Reliability

Environmental

- **Operating Temperature** -40 to +80 °C
- **Storage Temperature** -40 to +85 °C
- **Operating Humidity** 0 to 95% Non-condensing

Approvals, Directives, Standards

- **FCC, CE**
- **CE Directives** 2014/30/EU - Electromagnetic Compatibility Directive
2011/65/EU amended by 2015/863/EU - Reduction of Hazardous Substances Directive (RoHS)
2012/19/EU - Waste Electrical and Electronic Equipment (WEEE)
- **CE Standards** EMC:
EN 55032: Class B - Information Technology Equipment - RF Emissions
EN 55024 - Information Technology Equipment - Immunity Characteristics - Limits and Methods of Measurements
EN 61000-6-1 - Generic Immunity Standard for Residential, Commercial and Light-Industrial Environments

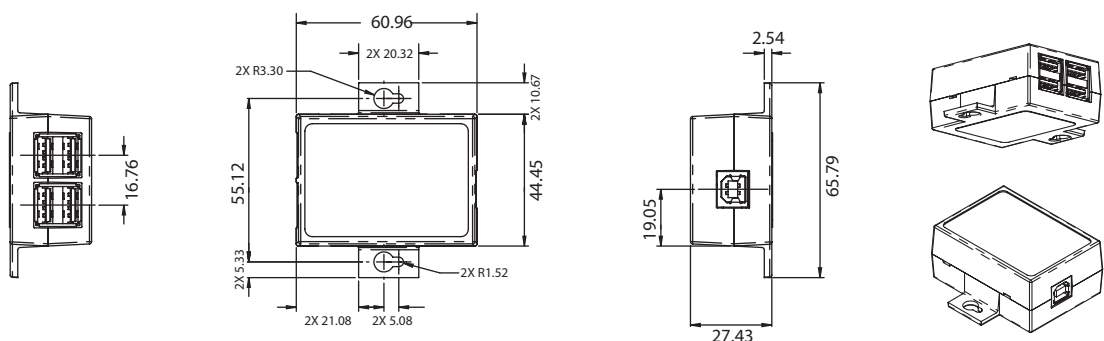
Ordering Information

- **BB-UH104** 4-port Industrial USB 2.0 Hub
USB cable required - sold separately.

Accessories – sold separately

- **BB-USBAMB-3F** 0.9 m USB extension cable

Dimensions



X-ON Electronics

Largest Supplier of Electrical and Electronic Components

Click to view similar products for [Interface Modules](#) category:

Click to view products by [B&B Electronics](#) manufacturer:

Other Similar products are found below :

[IFD8520](#) [cPCI-3544](#) [422CON](#) [ATX6022/14GP7](#) [ATX6022/8](#) [AX93221-24/48](#) [FC6A-EXM2](#) [OPT8AP-AE](#) [96RMKVM-19V1C-A](#) [60016-011](#) [60016-014](#) [60006-008](#) [60011-075](#) [HPCI-14S12U](#) [cBP-3208](#) [cBP-3062A](#) [FAB205-6P5](#) [ATX6022/6](#) [60016-012](#) [96RMKVM-17V1C-A](#) [PCE-DP10-00A1E](#) [MOS-1120Y-0201E](#) [96RMLCD-17V1-A](#) [96RMKVM-17V8C-A](#) [60004-005](#) [60016-017](#) [60006-009](#) [60016-035](#) [60016-034](#) [60016-031](#) [60016-030](#) [60016-026](#) [60016-024](#) [60016-018](#) [60016-007](#) [60016-005](#) [60007-002](#) [60006-010](#) [AXX10GBTWLHW3](#) [382-BBEH](#) [555-BDCL](#) [K6CMISZBI52](#) [426451401-3](#) [60011-093](#) [MIC-3620/3-BE](#) [MPCIE-UART-KIT02-R20](#) [RSM232](#) [PCIE-1680-AE](#) [BB-FOSTCDRI](#) [73-544-002](#)