

# Compact USB Port Isolator

## UH201

**B+B SMARTWORX**

Powered by

**ADVANTECH**

[www.advantech-bb.com](http://www.advantech-bb.com)



### PRODUCT FEATURES

- 2000 Volt Isolation
- ESD Protection – 4 kV Contact
- Compact, Portable USB “key style” Enclosure
- USB 2.0 – Full-Speed (12 Mbps)
- Wide Operating Temperature (-40 to 80 °C)

USB has become the standard for connecting everything from sensors to controllers and motor drives to your PC or hand held computer. But USB was not intended for use outside of the electrically clean office or home environment. This can lead to expensive problems when you need to access data from a device installed in the field or in the factory.

Any time you connect remote I/O equipment to your computer there will be a risk for electrostatic discharge (ESD), power surges, ground loops, and electromagnetic interference/radio frequency interference (EMI/RFI). Any one of these events could damage your USB port or your entire PC. Why take a chance? Protect your investment with isolation technology from B+B SmartWorx.

The compact UH201 fits easily inside your laptop case or pocket. It has male and female type A USB connectors. It connects directly to your USB port and provides protection up to 2000 Volts. Its high speed digital isolation chip electrically separates your PC from the remote I/O device while allowing full speed USB 2.0 communications at data rates up to 12 Mbps – the top of the line for isolation products.

Note: High speed, 480 Mbps USB 2.0 devices cannot be isolated with today's technology.

### ORDERING INFORMATION

MODEL NUMBER	DESCRIPTION
UH201	Compact USB Port Isolator

### ACCESSORIES

USBAMB-3F - 3 ft. (0.9 m), Type A Male to Type B Male (Grey)
USBAMB-6F - 6 ft. (1.8 m), Type A Male to Type B Male (Grey)

All product specifications are subject to change without notice.

UH201\_1417ds

# Compact USB Port Isolator

## UH201



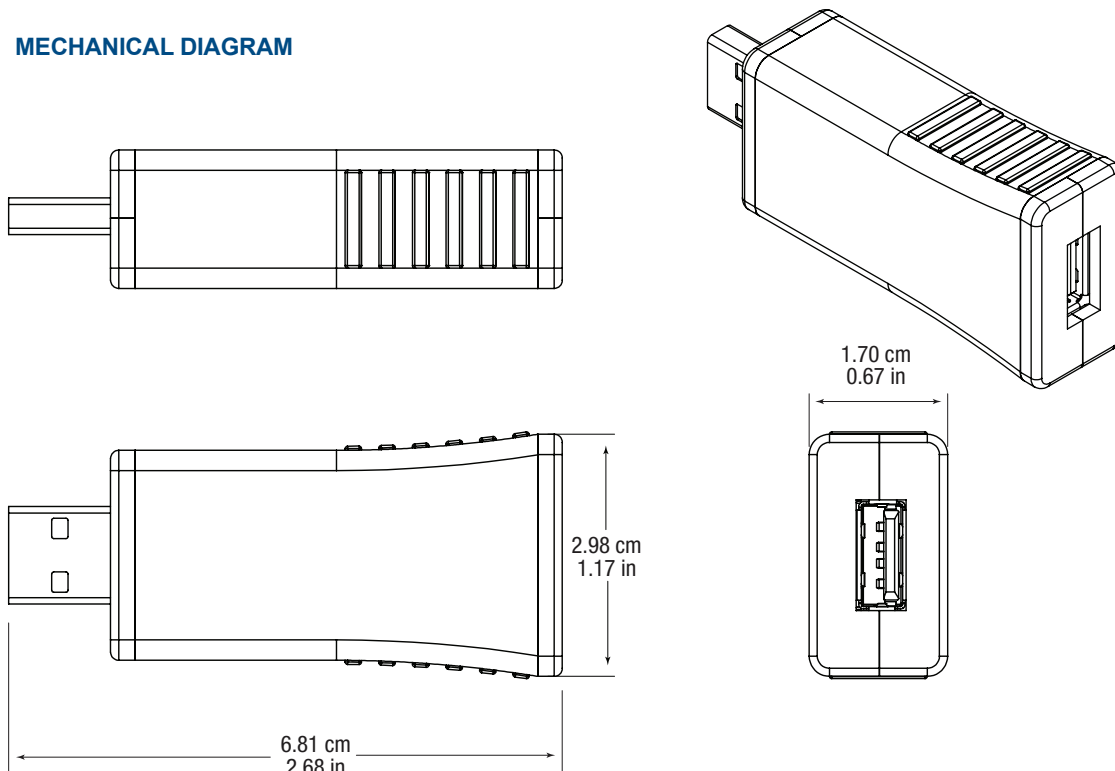
### SPECIFICATIONS

USB INTERFACE	
Standards	USB 2.0 (at USB 1.1 speed)
Upstream Port	Type A Male
Downstream Port	Type A Female
Speed	12 Mbps <small>Note: High speed 480 Mbps not possible with existing isolation technology.</small>
Isolation	2.0 kV
ESD	Level 2, $\pm 4$ kV
POWER	
Source	Bus powered
Downstream Power	400 mA when connected to a high power USB port
MECHANICAL	
Dimensions	6.8 x 3.0 x 1.7 cm (2.7 x 1.2 x 0.7 in)
Enclosure	IP30, plastic overmolded
Weight	22.7 g (0.05 lbs)
MTBF	2,624,561 hours
MTBF Calc. Method	MIL 217F Parts Count Reliability
ENVIRONMENTAL	
Operating Temperature	-40 to 80 °C (-40 to 176 °F)
Storage Temperature	-40 to 85 °C (-40 to 185 °F)
Operating Humidity	0 to 95% non-condensing

### APPROVALS / CERTIFICATIONS

FCC/CE	2014/30/EC - Electromagnetic Compatibility Directive		
	2011/65/EU - Reduction of Hazardous Substances Directive		
	2012/19/EU - Waste Electrical and Electronic Equipment (WEEE)		
	EN61000-6-2	(Light Industrial)	
	EN61000-4-2	(ESD)	+/-4kV Air
	EN61000-4-3	(RI)	3V/m
	EN61000-4-4	(EFT Burst)	500V
	EN61000-4-6	(CI)	3 VRMS

### MECHANICAL DIAGRAM



## X-ON Electronics

Largest Supplier of Electrical and Electronic Components

*Click to view similar products for [Interface Modules](#) category:*

*Click to view products by [B&B Electronics](#) manufacturer:*

Other Similar products are found below :

[IFD8520](#) [cPCI-3544](#) [422CON](#) [ATX6022/14GP7](#) [ATX6022/8](#) [AX93221-24/48](#) [FC6A-EXM2](#) [OPT8AP-AE](#) [96RMKVM-19V1C-A](#) [60016-011](#) [60016-014](#) [60006-008](#) [60011-075](#) [HPCI-14S12U](#) [cBP-3208](#) [cBP-3062A](#) [FAB205-6P5](#) [ATX6022/6](#) [60016-012](#) [96RMKVM-17V1C-A](#) [MOS-1120Y-0201E](#) [96RMLCD-17V1-A](#) [96RMKVM-17V8C-A](#) [60004-005](#) [60016-017](#) [60006-009](#) [60016-035](#) [60016-034](#) [60016-031](#) [60016-030](#) [60016-026](#) [60016-024](#) [60016-018](#) [60016-007](#) [60016-005](#) [60007-002](#) [60006-010](#) [AXX10GBTWLHW3](#) [382-BBEH](#) [555-BDCL](#) [K6CMISZBI52](#) [426451401-3](#) [60011-093](#) [MIC-3620/3-BE](#) [MPCIE-UART-KIT02-R20](#) [RSM232](#) [PCIE-1680-AE](#) [BB-FOSTCDRI](#) [73-544-002](#) [UC-313](#)