

BB-UH401

Single Port, Compact USB Isolator



Features

- 4kV Isolation Protection for PCs, Laptops, Equipment
- 15 kV ESD Protection
- Full (12 Mbps) USB Speed
- Wide Operating Temperature: -40 to +80 °C
- Ultra-Compact Size with Quick Inline Installation
- High Retention USB Connectors
- USB Bus Powered
- USB Cable Included - 0.9 m length

Specifications

Technology

- **Standards** USB 1.1
12 Mbps
Note: Device is transparent to operating system, software drivers not required, and will not be enumerated in device manager.

Interface

- **USB Ports** High retention USB Type B (upstream), High retention USB Type A (downstream), Minimum withdrawal force of 15 Newtons (~1.54kg force)
- **LED Indicators** Power for USB bus

Power

- **Input Voltage** Standard USB bus power (5 V_{DC})
- **Downstream Power** Up to 100mA with full-power 500mA upstream connection
- **Isolation** 4KV

Environmental

- **Operating Temperature** -40 to +80 °C

Meantime Between Failures (MTBF)

- **MTBF** 1049851 hours
- **MTBF Calculation** MIL 217F Parts Count Reliability Prediction

Mechanical

- **Enclosure** IP30 plastic case
- **Dimensions** 43.2 x 50.8 x 20.3 mm

Approvals, Directives, Standards

- FCC Class A, CISPR 32, CE, KCC, MSIP ID#: MSIP-REI-AAD-BB-UH401
- **CE – Directives** 2014/30/EU – Electromagnetic Compatibility Directive
2011/65/EU amended by 2015/863/EU – Reduction of Hazardous Substances Directive (RoHS)
2012/19/EU – Waste Electrical and Electronic Equipment Directive (WEEE)
- **CE –Standards** EMC:

EN 55032 + AC, Class A – Information Technology Equipment
EN 61000-6-4 – Generic Emissions Standard for (Heavy) Industrial Environments
EN61000-6-2 Generic Immunity Standard for (Heavy) Industrial Environments

Ordering Information

Model Number *	USB Speed	Isolation
BB-UH401	Full (12 Mbps)	4 kV

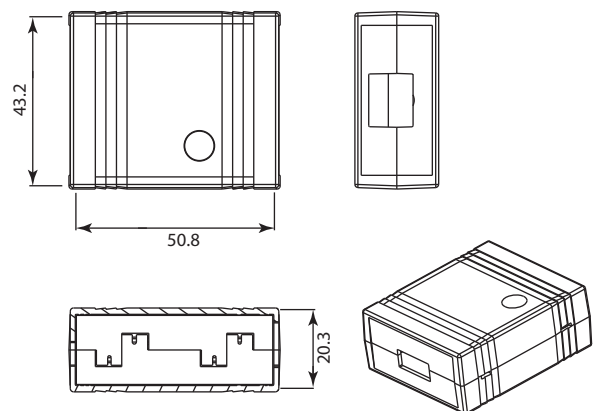
* Includes (1) one USB cable, Type A male/Type B male, 0.9 m (Model# BB-USBAMB-3F)

Accessories – sold separately

- **BB-USBAMB-3F** USB Cable, 0.9 m, Type A Male/Type B Male (Grey) (one included)
- **BB-USBAMB-6F** USB Cable, 1.8 m, Type A Male/Type B Male (Grey)

Dimensions

Unit: mm



X-ON Electronics

Largest Supplier of Electrical and Electronic Components

Click to view similar products for [Interface Modules](#) category:

Click to view products by [B&B Electronics](#) manufacturer:

Other Similar products are found below :

[IFD8520](#) [cPCI-3544](#) [422CON](#) [ATX6022/14GP7](#) [ATX6022/8](#) [AX93221-24/48](#) [FC6A-EXM2](#) [OPT8AP-AE](#) [96RMKVM-19V1C-A](#) [60016-011](#) [60016-014](#) [60006-008](#) [60011-075](#) [HPCI-14S12U](#) [cBP-3208](#) [cBP-3062A](#) [FAB205-6P5](#) [ATX6022/6](#) [60016-012](#) [96RMKVM-17V1C-A](#) [MOS-1120Y-0201E](#) [96RMLCD-17V1-A](#) [96RMKVM-17V8C-A](#) [60004-005](#) [60016-017](#) [60006-009](#) [60016-035](#) [60016-034](#) [60016-031](#) [60016-030](#) [60016-026](#) [60016-024](#) [60016-018](#) [60016-007](#) [60016-005](#) [60007-002](#) [60006-010](#) [AXX10GBTWLHW3](#) [382-BBEH](#) [555-BDCL](#) [K6CMISZBI52](#) [426451401-3](#) [60011-093](#) [MIC-3620/3-BE](#) [MPCIE-UART-KIT02-R20](#) [RSM232](#) [PCIE-1680-AE](#) [BB-FOSTCDRI](#) [73-544-002](#) [UC-313](#)