

Four & Seven Port Industrial USB Hubs

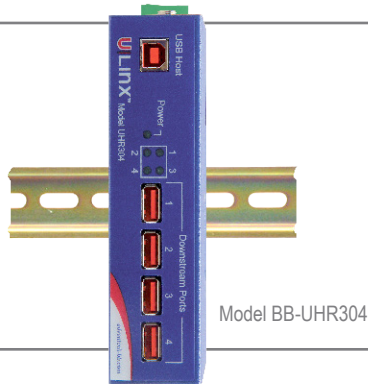
Models BB-UHR204, BB-UHR304, BB-UHR207, BB-UHR307

B+B SMARTWORX

Powered by

ADVANTECH

www.advantech-bb.com



PRODUCT FEATURES

- Expands one USB port to 4 or 7 USB ports (USB 2.0, see specification table)
- 4 kV isolation (Models BB-UHR304, BB-UHR307)
- 15 kV air, 8kV contact ESD protection
- Data rates: 480 Mbps at full speed or 12 Mbps at high speed (model specific)
- Wide operating temperature: -40 to +80 °C
- Rugged metal case - desk, DIN rail or panel mount (brackets included)
- FCC, CE, UL, EMC heavy industrial
- High retention USB port connectors
- Includes USB cable
- External power source required (not included, sold separately)

Models BB-UHR204, BB-UHR304, BB-UHR207 and BB-UHR307 are industrial-grade four and seven-port USB hubs. Models BB-UHR304 and BB-UHR307 include 4 kV isolation.

These hubs are designed and tested to meet heavy industrial EMC specifications allowing operation where standard office-grade hubs fail – such as near variable frequency drives, motor control centers, welding and other large electrical loads.

4 kV isolation (BB-UHR304, BB-UHR307) between the upstream and downstream USB ports protects expensive equipment from dangerous ground loops and helps ensure data integrity.

High retention USB connectors hold standard USB cables tight and are perfect for high vibration applications – requiring up to 3.2 lbs force to disconnect them.

These USB hubs are powered from an external 10 to 30 VDC source (not included, sold separately). Two power connectors are provided – terminal block or threaded/lockable barrel plug. Each downstream port provides up to 500 mA of power to connected USB devices. Model BB-UHR204 can also be bus-powered. (Refer to ordering information for power supply requirements and recommendation.)

ORDERING INFORMATION

MODEL NUMBER	DOWNSTREAM PORTS	UPSTREAM PORTS	SPEED	ISOLATION?
BB-UHR204*	4	1	480 Mbps, Full speed	-
BB-UHR304	4	1	12 Mbps, High speed	4kV
BB-UHR207	7	1	480 Mbps, Full speed	-
BB-UHR307	7	1	12 Mbps, High speed	4kV

* Bus powering option

ACCESSORIES - sold separately

BB-PS12VLB-INT-MED - 12VDC Power Supply, Medical Grade; US, EU, UK Blades (Class 2)

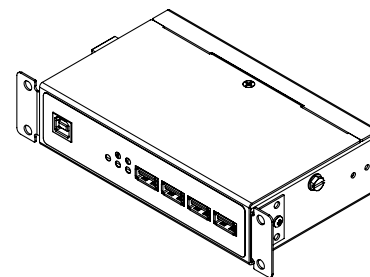
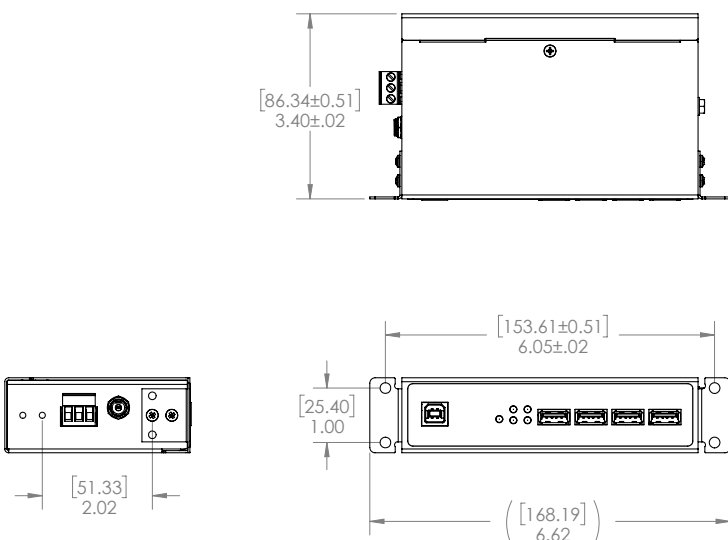
BB-MDR-20-24 - 24VDC Power Supply, 1.0A, DIN Rail Mount (Class 2)

BB-USBAMB-3F - Type A Male to Type B Male, Gray, 0.9 m (3 ft.)

BB-USBAMB-6F - Type A Male to Type B Male, Gray, 1.8 m (6 ft.) one (included w/product)

MECHANICAL DIAGRAM - BB-UHR204, BB-UHR304

Units = inches [mm]



All product specifications are subject to change without notice.
BB-UHRx04 & BB-UHRx07_4918ds

Four & Seven Port Industrial USB Hubs

Models BB-UHR204, BB-UHR304, BB-UHR207, BB-UHR307



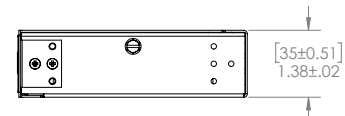
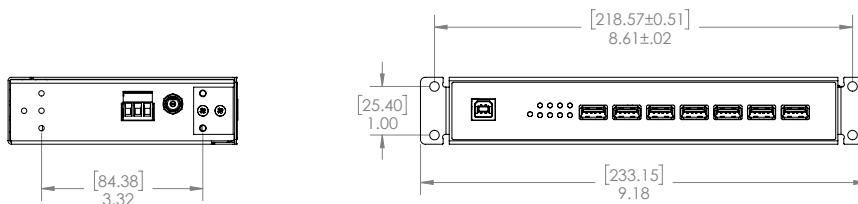
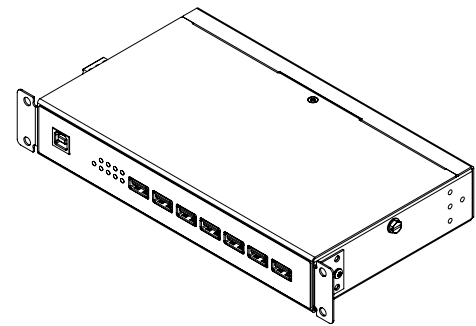
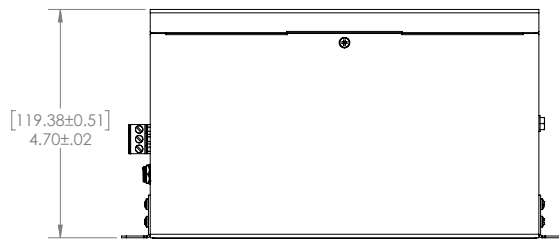
SPECIFICATIONS

USB INTERFACE	
Standards	USB 1.1 & 2.0
Upstream Port	(1) Type B Female – High Retention
Downstream Ports	(7) Type A Female – High Retention (BB-UHR207, BB-UHR307) (4) Type A Female – High Retention (BB-UHR204, BB-UHR304)
Speed	12 Mbps (BB-UHR304, BB-UHR307) 480 Mbps (BB-UHR204, BB-UHR207) Multi-transaction Translator, 1 per port
Isolation	4 kV – Upstream to Downstream (BB-UHR304, BB-UHR307)
Surge Protection	+/- 0.5 kV DC Ports, +/- 1 kV Signal Ports
ESD	15 kV Air, 8 kV Contact
High Retention	USB ports require 15 N (3.2 lbs-force) withdrawal force using standard USB cable.
POWER	
Source	External - required for BB-UHR304, BB-UHR307, BB-UHR207 (Power supply not included, sold separately.) Bus Powering - optional for BB-UHR204
Power Connector	Terminal Block or Threaded Barrel Jack
Input Voltage	10 to 30 VDC
Power	16 Watts (BB-UHR304, BB-UHR204) 30 Watts (BB-UHR307, BB-UHR207)
Power TB	3 Position, 5.08 mm Spacing, 28-12 AWG, Solid Wire
Barrel Jack	Locking / Threaded, 5.5 mm, Center Positive
Downstream Power	500 mA per port
INDICATORS	
Power	Green LED
Port Ready	Green LED

MECHANICAL	
Dimensions (enclosure with brackets)	BB-UHRx04: 16.82 x 8.63 x 3.50 cm (6.62 x 3.40 x 1.38 in) BB-UHRx07: 23.32 x 11.94 x 3.50 cm (9.18 x 4.70 x 1.38 in)
Enclosure	IP30, metal
Mounting	Desk, DIN rail or panel mount
Weight	0.64 kg (1.4 lbs)
Meantime Before Failure (MTBF)	BB-UHR304 - 190999 hours BB-UHR204 - 211773 hours BB-UHR307 - 143330 hours BB-UHR207 - 151173 hours
MTBF Calc. Method	MIL 217F Parts Count Reliability
ENVIRONMENTAL	
Operating Temperature	-40 to +80 °C (0 to +40 °C when using wall plug power supply)
Storage Temperature	-40 to 85 °C
Operating Humidity	0 to 95% Non-condensing
APPROVALS, DIRECTIVES, STANDARDS	
Approvals	FCC, Class B, CE
Directives (EU)	2014/30/EU - Electromagnetic Compatibility Directive 2011/65/EU - Reduction of Hazardous Substances Directive (RoHS) 2012/19/EU - Waste Electrical and Electronic Equipment (WEEE)
Standards (EMC)	EN 55032: Class B - Electromagnetic Compatibility of Multimedia Equipment - Emission Requirements EN 55024 - Information Technology Equipment - Immunity Characteristics - Limits and Methods of Measurement EN 61000-6-3+A1 (Class B) - Generic Emission Standard for Residential, Commercial and Light Industrial Environments EN 61000-6-2 - Generic Immunity Standard for (Heavy) Industrial Environments
UL	Class 1/Division 2 Listed File: E245458

MECHANICAL DIAGRAM - BB-UHR207, BB-UHR307

Units = inches [mm]



X-ON Electronics

Largest Supplier of Electrical and Electronic Components

Click to view similar products for [Interface Modules](#) category:

Click to view products by [B&B Electronics](#) manufacturer:

Other Similar products are found below :

[IFD8520](#) [cPCI-3544](#) [422CON](#) [ATX6022/14GP7](#) [ATX6022/8](#) [AX93221-24/48](#) [FC6A-EXM2](#) [OPT8AP-AE](#) [96RMKVM-19V1C-A](#) [60016-011](#) [60016-014](#) [60006-008](#) [60011-075](#) [HPCI-14S12U](#) [cBP-3208](#) [cBP-3062A](#) [FAB205-6P5](#) [ATX6022/6](#) [60016-012](#) [96RMKVM-17V1C-A](#) [PCE-DP10-00A1E](#) [MOS-1120Y-0201E](#) [96RMLCD-17V1-A](#) [96RMKVM-17V8C-A](#) [60004-005](#) [60016-017](#) [60006-009](#) [60016-035](#) [60016-034](#) [60016-031](#) [60016-030](#) [60016-026](#) [60016-024](#) [60016-018](#) [60016-007](#) [60016-005](#) [60007-002](#) [60006-010](#) [AXX10GBTWLHW3](#) [382-BBEH](#) [555-BDCL](#) [K6CMISZBI52](#) [426451401-3](#) [60011-093](#) [MIC-3620/3-BE](#) [MPCIE-UART-KIT02-R20](#) [RSM232](#) [PCIE-1680-AE](#) [BB-FOSTCDRI](#) [73-544-002](#)