

BB-485CON

RS-232 to RS-485 Serial Converter



Introduction

Model BB-485CON, RS-232 to RS-485 converter, converts unbalanced, full-duplex RS-232 signals to balanced, full-duplex or half-duplex RS-485 signals. RS-485 is an enhanced version of the RS-422 balanced line standard. It allows multiple drivers and receivers on a two-wire system.

The RS-232 port uses a male DB-25P type of connector with pins 2 (TD input) and 3 (RD output) supported. Protective Ground (pin 1) and Signal Ground (pin 7) are also connected. The RS-485 port uses a female DB-25S type of connector with Send Data outputs on pins 2 and 14, and Receive Data inputs on pins 5 and 17. Protective Ground (pin 1) and Signal Ground (pin 7) are connected through to the RS-232 connector.

Features

- Converts unbalanced, full-duplex RS-232 to balanced, full-duplex or half-duplex RS-485
- Extend RS-232 data signals up to 1.2 km (4000 ft)
- Data rate: 240 kbps baud (typical)
- Quick, easy inline installation
- Power supply required (not included, sold separately)

Ordering Information

Model No.	RS-232	RS-485	Output
BB-485CON	DB25 Male	DB25 Female	RS-485 full-duplex or half-duplex

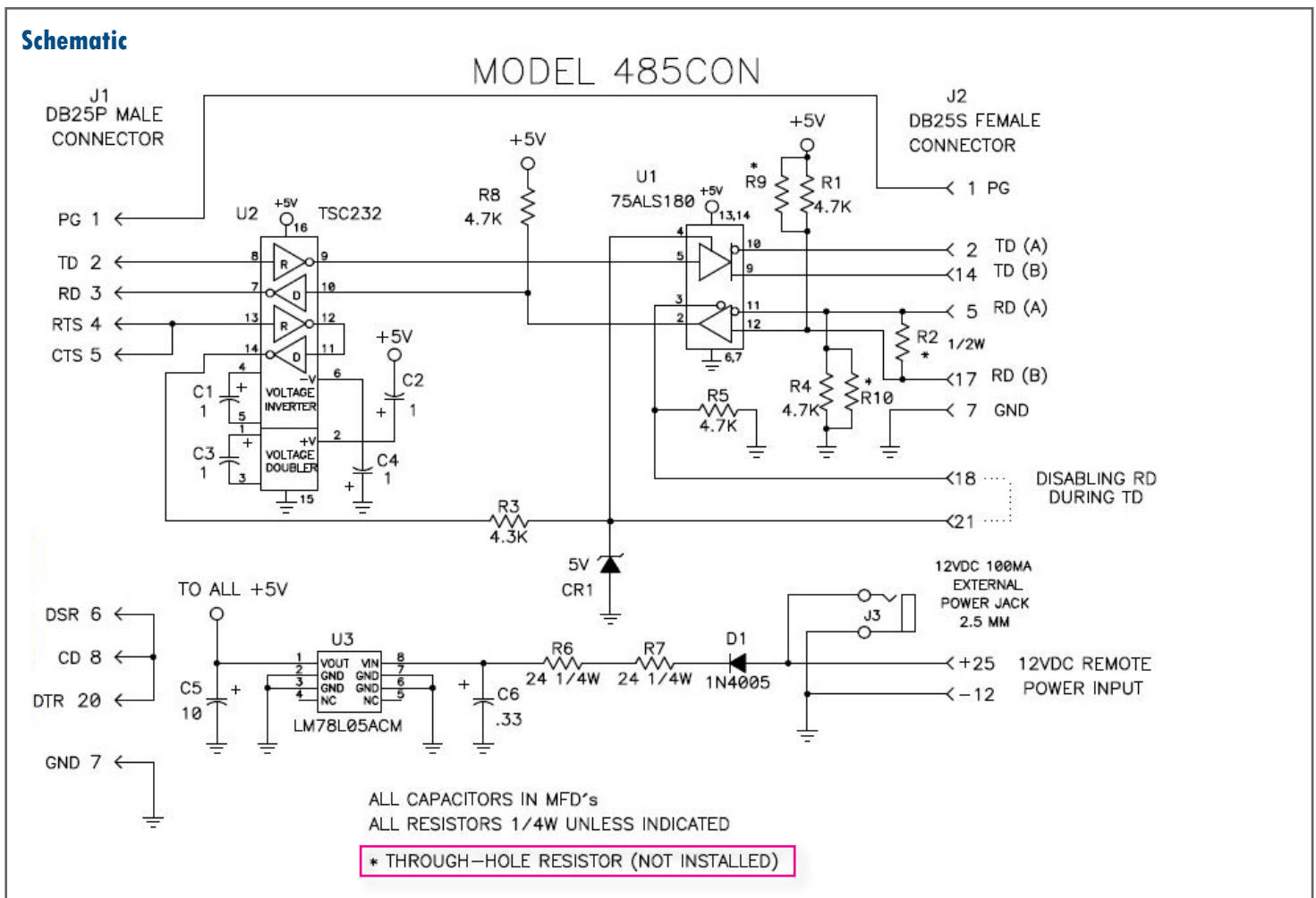
Accessories – Sold Separately

BB-SMI6B12V-P230C1 – Power Supply, 12 Vdc, 6 W, 2.5mm plug, International AC Input, International AC Blades (NATAM, EU, UK, Australia, China)

Specifications

Serial Technology	
Communication	2-channel, RTS control
Data Rate	240 kbps (typical); 120 kbps (minimum)
RS-232 Connector	DB25 male
RS-422 Connector	DB25 female
Power	
Source / Requirements	12 Vdc, 100 mA external power source (power supply required, not included, sold separately)
Power Connector	2.5mm power jack
Regulatory – Approvals / Standards / Directives	
FCC Part 15, CISPR	
CE – Directives	2011/65/EU amended by (EU) 2015/863 Reduction of Hazardous Substances Directive (RoHS)
Other	EN 55022 + AC Class A Emissions EN 61000-6-1 Generic Standards for Residential, Commercial and Light Industrial Environments

Schematic



X-ON Electronics

Largest Supplier of Electrical and Electronic Components

Click to view similar products for [Interface Modules](#) category:

Click to view products by [B+B SmartWorx](#) manufacturer:

Other Similar products are found below :

[IFD8520](#) [cPCI-3544](#) [422CON](#) [ATX6022/14GP7](#) [ATX6022/8](#) [AX93221-24/48](#) [FC6A-EXM2](#) [OPT8AP-AE](#) [96RMKVM-19V1C-A](#) [60016-011](#) [60016-014](#) [60006-008](#) [60011-075](#) [HPCI-14S12U](#) [cBP-3208](#) [cBP-3062A](#) [FAB205-6P5](#) [ATX6022/6](#) [60016-012](#) [96RMKVM-17V1C-A](#) [MOS-1120Y-0201E](#) [96RMLCD-17V1-A](#) [96RMKVM-17V8C-A](#) [60004-005](#) [60016-017](#) [60006-009](#) [60016-035](#) [60016-034](#) [60016-031](#) [60016-030](#) [60016-026](#) [60016-024](#) [60016-018](#) [60016-007](#) [60016-005](#) [60007-002](#) [60006-010](#) [AXX10GBTWLHW3](#) [382-BBEH](#) [555-BDCL](#) [K6CMISZBI52](#) [426451401-3](#) [60011-093](#) [MIC-3620/3-BE](#) [MPCIE-UART-KIT02-R20](#) [RSM232](#) [PCIE-1680-AE](#) [BB-FOSTCDRI](#) [73-544-002](#) [UC-313](#)