

The *N-TRON*® 508TX Series Industrial Ethernet Switch offers outstanding performance and ease of use. It is ideally suited for connecting Ethernet enabled industrial and/or security equipment and can be optionally configured with advanced Ethernet communication management functions

## PRODUCT FEATURES

- Full IEEE 802.3 and 1613 Compliance
- NEMA TS1/TS2 Compliance
- American Bureau of Shipping (ABS) Type Approval
- Eight 10/100 BaseTX RJ-45 Ports
- -40° to 85°C Operating Temperature
- Auto Sensing 10/100BaseTX, Duplex, and MDIX
- Store-and-forward Technology
- Up to 2.6 Gb/s Backplane Throughput
- Rugged Industrial DIN-Rail Enclosure
- Redundant Power Inputs (10-30 VDC)
- Bi-Color LED's For Link, Speed, Activity & Duplex Status

## Advanced Management Features (With -A option only):

- IGMP Snooping
- VLAN
- QoS
- Trunking
- Mirroring
- N-View™ (Remote Monitoring Using OPC Technology)

## Advanced Management Functions

The 508TX-A offers several management functions that can be easily configured using the COM Port (DB 9 Connector located on the right side of the switch).

**IGMP Snooping** - Internet Group Management Protocol is a feature that allows the 508TX-A switch to forward and filter multicast traffic intelligently.

**VLAN** - Virtual Local Area Network allows segmentation of the switch in order to create two or more separate local area network domains.

**QoS** - Quality of Service provides prioritization of network traffic in order to provide better network service. The primary goal of QoS is to improve the latency of prioritized Ethernet packets required for ring management, real-time and other interactive applications.

**Trunking** - Trunking (aggregation) enables multiple physical ports to be linked together and function as one uplink to another *N-TRON* trunking capable switch configured in the same manner, thereby increasing the bandwidth between switches. This configuration can provide increased bandwidth and redundancy to applications requiring high levels of fault tolerant operation.

**Port Mirroring** - This 508TX-A function allows the traffic on one port to be duplicated and sent to a designated mirror port. Port mirroring can be used to monitor Ethernet traffic on the designated source port using the assigned mirror port.



## N-View OPC Switch Monitoring (With -A or -N Option Only)

The *N-TRON* N-View OLE for Process Control (OPC) server software can be combined with popular HMI software packages to add network traffic monitoring, trending and alarming to any application using *N-TRON* switches configured with the N-View option. *N-TRON*'s N-View OPC Server collects 41 different traffic variables per port and 5 system level variables per switch. This information can provide a complete overview of the network load, service quality, and packet traffic. OPC client software can use N-View OPC Server data to resolve network problems quickly and improve system reliability.

## Industrial Packaging and Specifications

The *N-TRON* 508TX is designed to operate in industrial environments. It is housed in a rugged steel enclosure that can be DIN-RAIL or panel mounted, and an optional rackmount kit is also available. The 508TX comes standard with extended temperature rating, extended shock and vibration specs, redundant power inputs, and a high MTBF (greater than 2M hours).

## Ease of Use

The *N-TRON* 508TX requires no setup unless the advanced port functions are utilized. The eight 10/100BaseTX ports are auto sensing and auto configuring. Each copper port is automatically negotiated for maximum speed and performance by default. Bi-color LED's are provided to display the link status, link speed and activity of each port as well as power on/off status.

## Performance

The *N-TRON* 508TX uses "state of the art" IEEE 802.3 Fast Ethernet 10/100BaseTX switching technology. This technology eliminates network collisions and increases network determinism. Up to 4,000 MAC addresses are supported enabling sophisticated and complex network architectures. A high speed processor and backplane allows wire speed capability on all ports simultaneously.

## 508TX Industrial Ethernet Switch Ordering Information

508TX	Eight 10/100BaseTX Ports
508TX-N	508TX with N-View
508TX-A	508TX with N-View and Advanced Management Features

## 508TX-A Specifications

### Switch Properties

Number of MAC Addresses:	4,000
Aging Time:	20s, Programmable (-A)
Latency Type.:	2.1 $\mu$ s
Backplane Speed:	2.6Gb/s
Switching Method:	Store & Forward

### Case Dimensions

Height:	2.3" (5.8cm)
Width:	5.9" (15cm)
Depth:	3.5" (8.8cm)
Weight:	1.6 lbs (0.8kg)
Din-Rail:	35mm

### Electrical

Redundant Input Voltage:	10-30 VDC
Input Current:	200 mA @ 24V
Inrush:	9.0Amp/0.6ms @ 24V

### Environmental

Operating Temperature:	-20°C to 70°C (Standard) -40°C to 85°C (Extended)
Operating Humidity:	10% to 95% (Non Condensing)
Operating Altitude:	0 to 10,000 ft.

### Shock and Vibration (bulkhead mounting)

Shock:	200g @ 10ms
Vibration/Seismic:	50g, 5-200Hz, Triaxial

### Reliability

MTBF:	>2Million Hours
-------	-----------------

### Serial Configuration Port

Com Parameters:	9600,n,8,1
-----------------	------------

### Network Media

10BaseT:	>Cat3 Cable
100BaseTX:	>Cat5 Cable

### Connectors

10/100BaseTX:	Eight (8) RJ-45 Copper Ports
---------------	------------------------------

### Recommended Wiring Clearance

Front:	4" (10.16 cm)
Side:	1" (2.54 cm)

### Regulatory Approvals

FCC/CE (CFR 47, Part 15, Subpart B, Class A)  
EMC Dir 89/336/EEC, EN 50204, EN 55011  
EN61000-4-2/3/4/5/6/8/11, EN61000-6-2/4  
ANSI C63.4, ICES-003

UL /cUL: Class I, Div 2, Groups A, B, C, D and T4A  
UL 508 and UL 1604

CAN/CSA-C22.2 No.213, ATEX II 3 G Ex nA  
ABS Type Approval for Shipboard Applications  
GOST-R Certified, RoHS Compliant

Designed to comply with:  
IEEE 1613 for Electric Utility Substations  
NEMA TS1/TS2 for Traffic Control

### Contact Information

Secure online  
ordering  
24/7/365 from

**B&B electronics**  
MANUFACTURING COMPANY

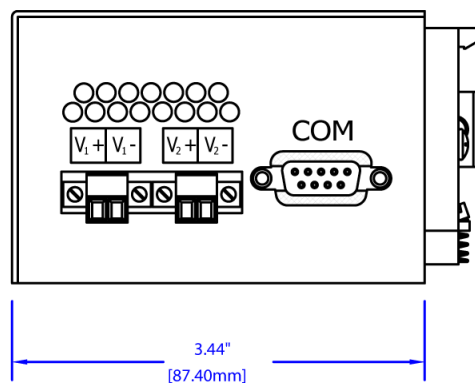
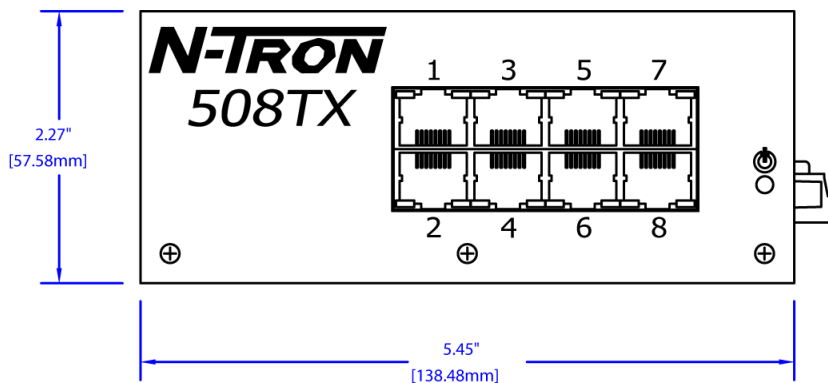
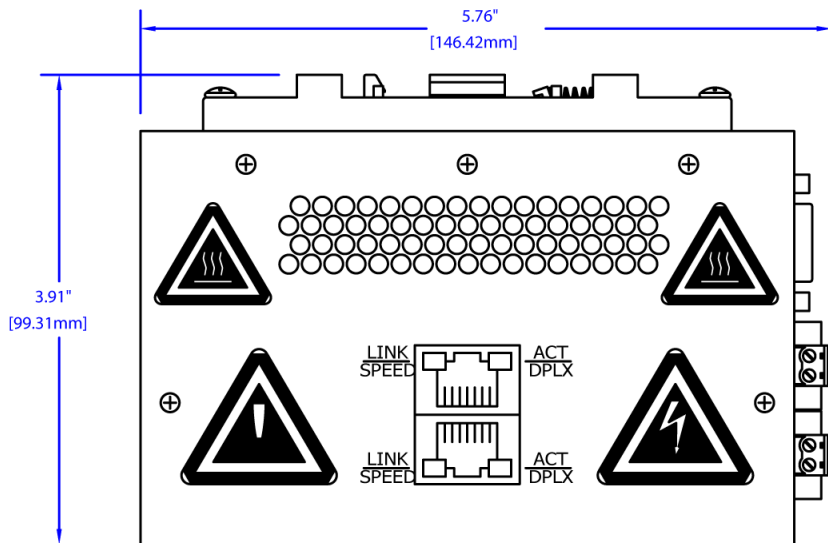
International Headquarters: 707 Dayton Road - PO Box 1040 - Ottawa, IL 61350 USA  
815-433-5100 Fax 815-433-5104 www.bb-elec.com orders@bb-elec.com support@bb-elec.com

European Headquarters: Westlink Commercial Park - Oranmore Co. Galway - Ireland  
+353 91 792444 Fax +353 91 792445 www.bb-europe.com orders@bb-europe.com support@bb-europe.com

Website: [www.n-tron.com](http://www.n-tron.com)

Email: [N-TRON\\_info@n-tron.com](mailto:N-TRON_info@n-tron.com)

REV 090804



## X-ON Electronics

Largest Supplier of Electrical and Electronic Components

*Click to view similar products for [Ethernet Modules](#) category:*

*Click to view products by [B+B SmartWorx](#) manufacturer:*

Other Similar products are found below :

[TDKEZW3](#) [V23993-USB1029A](#) [100-POE4](#) [I210T1BLK](#) [X520QDA1](#) [BCM84794A1KFSBG](#) [X520DA2OCP](#) [808-38157](#) [7506GX2](#) [TC](#)  
[EXTENDER 2001 ETH-2S](#) [105FX-SC-MDR](#) [110FX2-SC](#) [BCM54291B0IQLEG](#) [7000-P3201-P050150](#) [750-1415](#) [750-494](#) [750-495](#) [750-612](#)  
[750-613](#) [750-627](#) [750-643](#) [750-940](#) [753-440](#) [753-540](#) [753-650/003-000](#) [852-1322](#) [852-1328](#) [852-1812](#) [852-1813](#) [852-1816](#) [LANTICK PE-](#)  
[0-16](#) [LANTICK PE-16-0](#) [RBMTXLITE-L4X2.X.X.X.X.](#) [USR-TCP232-T2](#) [2017008](#) [EKI-7708E-4F-AE](#) [EKI-7708E-4FP-AE](#) [EKI-7708G-](#)  
[4FP-AE](#) [2352903-2](#) [753-620](#) [EGU-0702-SFP-T](#) [SW-125](#) [SW-525](#) [SW-725](#) [1005957](#) [1006191](#) [304TX-N](#) [WIZ107SR\\_TTL](#) [ES-320](#)  
[TDKEZW5](#)