

Industrial Grade 10/100 Miniature Media Converters

IE-MiniMc

B+B SMARTWORX

Powered by

ADVANTECH

www.advantech-bb.com



PRODUCT FEATURES

- Value-add industrial grade extended temperature performance
- PNP, auto negotiation mode
- Auto-cross feature for the twisted pair port cable
- Stand-alone unit in a small, rugged metal enclosure with a compact, external power supply
- IEEE 802.3af compliant

Measuring less than 3.5 inches deep and 2 inches wide, the IE-MiniMc Series converters are some of the industry's smallest copper-to-fiber media converters, with both data connections on the same side. The IE-MiniMc family of media converters are a fraction of the cost of other industrial grade alternatives. These unmanaged products provide the ease and convenience of plug-and-play operation with features including Auto Negotiation and Auto-Cross.

Designed and manufactured in the USA, the IE-MiniMc extends 10 and 100 Mbps twisted pair network segments up to 80 km over fiber. Both a media and data rate converter, the IE-MiniMc features 10/100 Auto Negotiation on the copper port while the fiber port operates at 100 Mbps full duplex. IE-MiniMc 10/100 switching fiber converters are ideal for all premises, FTTD, LAN-to-LAN or LAN-to-MAN fiber networking applications.

Multiple powering options include Power over Ethernet (PoE/PD), AC wall adapter and USB, which offers unsurpassed flexibility for a variety of installations.

ORDERING INFORMATION

MODEL NUMBER	FIBER	FIBER PORTS	RANGE	ETHERNET PORTS	ETHERNET CONNECTOR
IE-MiniMc TP-TX/FX					
855-19720	MM850-ST	1	2 km	1	RJ-45
855-19721	MM850-SC	1	2 km	1	RJ-45
855-19722	MM1300-ST	1	5 km	1	RJ-45
855-19723	MM1300-SC	1	5 km	1	RJ-45
855-19724	SM1310/PLUS-ST	1	30 km	1	RJ-45
855-19725	SM1310/PLUS-SC	1	30 km	1	RJ-45
855-19730	SM1550/LONG-SC	1	80km	1	RJ-45
SINGLE STRAND FIBER *					
855-19750	SSFX-MM1310-SC	1	2 km	1	RJ-45
855-19751	SSFX-MM1550-SC	1	2 km	1	RJ-45
855-19752	SSFX-SM1310-SC	1	20 km	1	RJ-45
855-19753	SSFX-SM1550-SC	1	20 km	1	RJ-45
855-19754	SSFX-SM1310/PLUS-SC	1	40 km	1	RJ-45
855-19755	SSFX-SM1550/PLUS-SC	1	40 km	1	RJ-45

* These products have single-strand fiber technology.



IN THE FIELD Long Distance Connections in Airport Concourse

Industry: Transaction Management – Retail & Banking
Product: IE-MiniMc Fiber/Copper Media Converter

www.bb-elec.com/Airport

Carrier data charges may apply.

ACCESSORIES

806-39105 - DIN Rail Clip

850-13086 - IE-PowerTray/18-AC (-20 to +70°C), 18-slot AC Powered Chassis

895-39229 - Wall Mount Bracket

806-39629 - USB 12" Power Cable

806-39720 - AC Power Adapter

All product specifications are subject to change without notice.
IE-MiniMc_1217ds

Industrial Grade 10/100 Miniature Media Converters

IE-MiniMc



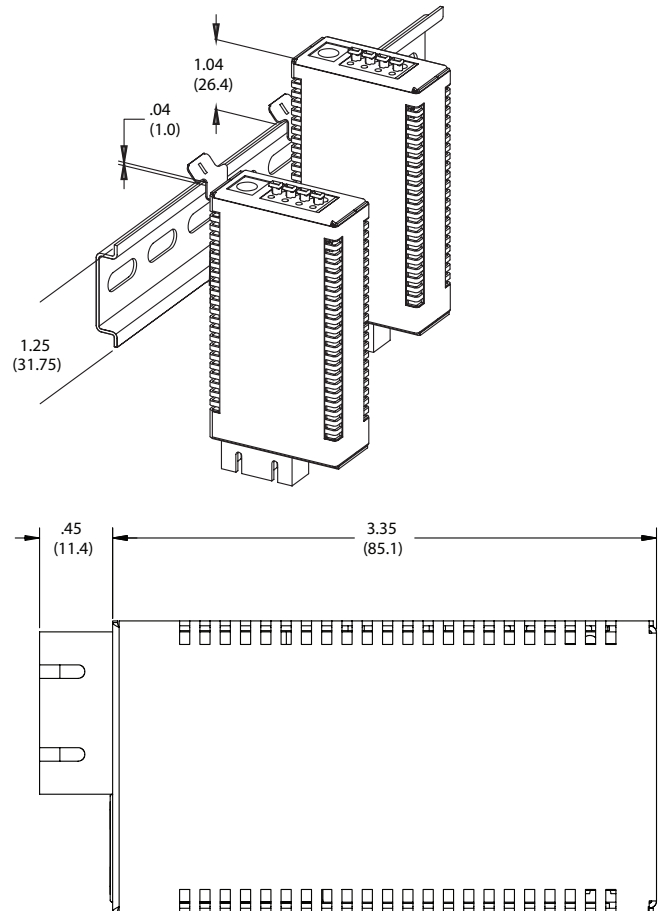
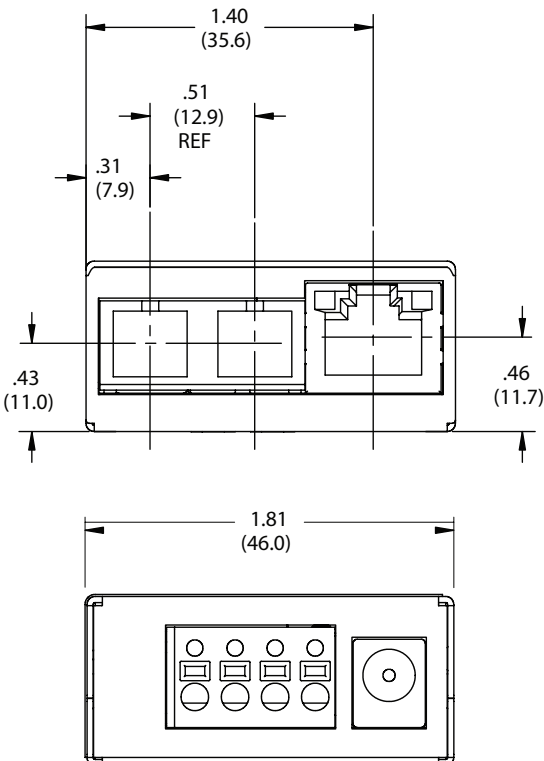
SPECIFICATIONS

TECHNICAL
IEEE 802.3 10Base-T twisted pair
IEEE 802.3u 100Base-TX twisted pair
IEEE 802.3u 100Base-FX fiber
IEEE 802.3af Power Over Ethernet
Supports jumbo packets up to 1916 bytes
Plug-and-play operation
RJ-45 and ST or SC ports available
50/125µm or 62.5/125µm multi-mode fiber
9/125µm single-mode fiber
Available with single-strand fiber support
Includes terminal DC power block
Country-specific, high-reliability power adapter
Auto Negotiation
Auto-Cross for MDI/MDIX
Layer 2 packet switching, store and forward (forwarding rate: 14,881 pps for 10 Mbps, 148,100 pps for 100 Mbps)
Status LEDs

MECHANICAL	
Dimensions	0.83H x 1.80W x 3.35D, inches
Shipping Weight	0.7 lbs (0.317 kg)
INPUT SPECIFICATIONS	
DC Terminal: 7 - 50 V DC, 1A - 0.1A	
Barrel Connector: 5 V DC	
PoE: Maximum supply voltage is 50V	
ENVIRONMENTAL	
Operating Temperature: DC or PoE (PD)	-40 to 185 °F (-40 to +85 °C)
Operating Temperature: AC wall adapter	+14 to +122 °F (-10 to +50 °C)
Storage Temperature:	-40 to +185 °F (-40 to +85 °C)
Operating Humidity	5 to 95% (non-condensing)
MEANTIME BEFORE FAILURE (MTBF)	
MTBF	796,650 hours
REGULATORY APPROVALS	
FCC Class A (using DC terminal or PoE power)	
FCC Class B (using any DC jack, optional)	
UL/cUL, CSA, CE	

MECHANICAL DIAGRAM

(dimensions in inches & millimeters)



X-ON Electronics

Largest Supplier of Electrical and Electronic Components

Click to view similar products for [Modules Accessories](#) category:

Click to view products by [B+B SmartWorx](#) manufacturer:

Other Similar products are found below :

[7010-0001](#) [F1UL16RISER2](#) [PEX-CABLEAD-KIT-8732](#) [AX98219](#) [iRIS-1010-R10](#) [A1UL8RISER](#) [F1UJPMICRISER](#) [FHW1U16RISER](#) [20-101-0440](#) [MBCDROM](#) [AX61221TM](#) [VM-105](#) [1000-PM](#) [76000958](#) [XPC100A002-01-B](#) [690-1002](#) [96HD500G-ST-WD7KE](#) [AMO-R022E](#) [RK-210E-B](#) [cPCIS-6400UA/AC](#) [E226171106](#) [AX60501WB](#) [88606200030E](#) [96RACK-3-SS-CR-B1](#) [UTC-300P-M10E](#) [UNO-2000G-VMKAE](#) [SI-HDMI-EDID-EM](#) [96HD3T-ST-SG7K](#) [AMO-I013E](#) [S10A-93-S10A6-001](#) [PWS-870-UCOVER00E](#) [PWS-770-VMOUNT00E](#) [PWS-870-CHDC00E](#) [MIT-W101-ACCDSW01E](#) [MIC-75M40-00A1E](#) [MIC-75M13-00A1E](#) [FPM-1000T-SMKE](#) [ASMB-FF404-04A1E](#) [AMK-V008E](#) [AMK-V005E](#) [AMK-R004E](#) [9896025601E](#) [96HD1TB-ST-WD7KE1](#) [96FMCF-ST2ADAPTER1](#) [9680015843](#) [1960030475S200](#) [1931031500](#) [AHWKPTP12GBGB](#) [850-13106](#) [P4304XXMUXX](#)