

Industrial Grade 10/100 Miniature Media Converters

IE-MiniMc



PRODUCT FEATURES

- Value-add industrial grade extended temperature performance
- PNP, auto negotiation mode
- Auto-cross feature for the twisted pair port cable
- Stand-alone unit in a small, rugged metal enclosure with a compact, external power supply
- IEEE 802.3af compliant
- NEMA TS2 (select models)

Measuring less than 3.5 inches deep and 2 inches wide, the IE-MiniMc Series converters are some of the industry's smallest copper-to-fiber media converters, with both data connections on the same side. The IE-MiniMc family of media converters are a fraction of the cost of other industrial grade alternatives. These products provide the ease and convenience of plug-and-play operation with features including Auto Negotiation and Auto-Cross.

Multiple powering options include Power over Ethernet (PoE/PD), AC wall adapter and USB, which offers unsurpassed flexibility for a variety of installations.

ACCESSORIES

- 806-39105 - DIN Rail Clip
- 806-39638 - Double-USB Power Cable, 36"/.9m
- 806-39650 - 12"/.3m Barrel-Connector Power Cable
- 850-13086 - IE-PowerTray/18-AC (-20°C to +70°C), 18-slot AC powered chassis
- 895-39229 - Wall Mount Bracket
- 806-39753 - IE-Power/5V Module, AC to DC DIN Rail Power Adapter

ORDERING INFORMATION

| MODEL NUMBER | FIBER | FIBER PORTS | RANGE | ETHERNET PORTS | ETHERNET CONNECTOR |
|---|-------------------------|-------------|-------|----------------|--------------------|
| IE-MiniMc TP-TX/FX | | | | | |
| 855-19720 | MM850-ST | 1 | 2 km | 1 | RJ45 |
| 855-19721 | MM850-SC | 1 | 2 km | 1 | RJ45 |
| 855-19722 | MM1300-ST | 1 | 5 km | 1 | RJ45 |
| 855-19723 | MM1300-SC | 1 | 5 km | 1 | RJ45 |
| 855-19724 | SM1310/PLUS-ST | 1 | 30 km | 1 | RJ45 |
| 855-19725 | SM1310/PLUS-SC | 1 | 30 km | 1 | RJ45 |
| 855-19726 | SM1310/LONG-ST | 1 | 80 km | 1 | RJ45 |
| 855-19730 | SM1550/LONG-SC | 1 | 80km | 1 | RJ45 |
| IE-MiniMc TP-TX/FX - NEMA TS2 rated; modular versions without AC adapter | | | | | |
| 854-19722 | MM1300-ST | 1 | 5 km | 1 | RJ45 |
| 854-19723 | MM1300-SC | 1 | 5 km | 1 | RJ45 |
| 854-19724 | SM1310/PLUS-ST | 1 | 30 km | 1 | RJ45 |
| 854-19725 | SM1310/PLUS-SC | 1 | 30 km | 1 | RJ45 |
| SINGLE STRAND FIBER * | | | | | |
| 855-19750 | SSFx-MM1310-SC | 1 | 2 km | 1 | RJ45 |
| 855-19751 | SSFx-MM1550-SC | 1 | 2 km | 1 | RJ45 |
| 855-19752 | SSFx-SM1310-SC | 1 | 20 km | 1 | RJ45 |
| 855-19753 | SSFx-SM1550-SC | 1 | 20 km | 1 | RJ45 |
| 855-19754 | SSFx-SM1310/ PLUS-SC | 1 | 40 km | 1 | RJ45 |
| 855-19755 | SSFx-SM1550/ PLUS-SC | 1 | 40 km | 1 | RJ45 |
| 855-19756 | SSFx-SM1310/ LONG-SC | 1 | 60 km | 1 | RJ45 |
| 855-19757 | SSFx-SM1550/ LONG-SC | 1 | 60 km | 1 | RJ45 |

* These products have single-strand fiber technology. Deploy in pairs or connect another compatible B&B IMC LLC single-strand fiber product.

IE-MiniMc also available in CWDM Fiber. Call for details.



IN THE FIELD

Long Distance Connections in Airport Concourse

Industry: Transaction Management – Retail & Banking
Product: IE-MiniMc Fiber/Copper Media Converter



[www.bb-elec.com/
Airport](http://www.bb-elec.com/Airport)

Carrier data charges may apply.

Industrial Grade 10/100 Miniature Media Converters

IE-MiniMc



SPECIFICATIONS

TECHNICAL

| |
|---|
| IEEE 802.3 10Base-T twisted pair |
| IEEE 802.3u 100Base-TX twisted pair |
| IEEE 802.3u 100Base-FX fiber |
| IEEE 802.3af Power Over Ethernet |
| Supports jumbo packets up to 1916 bytes |
| Plug-and-play operation |
| RJ45 and ST or SC ports available |
| 50/125µm or 62.5/125µm multi-mode fiber |
| 9/125µm single-mode fiber |
| Available with single-strand fiber support |
| Includes terminal DC power block |
| Country-specific, high-reliability power adapter |
| Auto Negotiation |
| Auto-Cross for MDI/MDIX |
| Layer 2 packet switching, store and forward (forwarding rate: 14,881 pps for 10 Mbps, 148,100 pps for 100 Mbps) |
| Status LEDs |

MECHANICAL

| | |
|-----------------|---|
| Dimensions | 0.83"H x 1.80"W x 3.35"D (2.11 x 4.57 x 8.51 cm) |
| Shipping Weight | 0.7 lbs (.317 kg) |

INPUT SPECIFICATIONS

| |
|------------------------------------|
| DC Terminal: 7 - 50 VDC, 1A - 0.1A |
| Barrel Connector: 5 VDC |
| PoE: Maximum supply voltage is 50V |

ENVIRONMENTAL

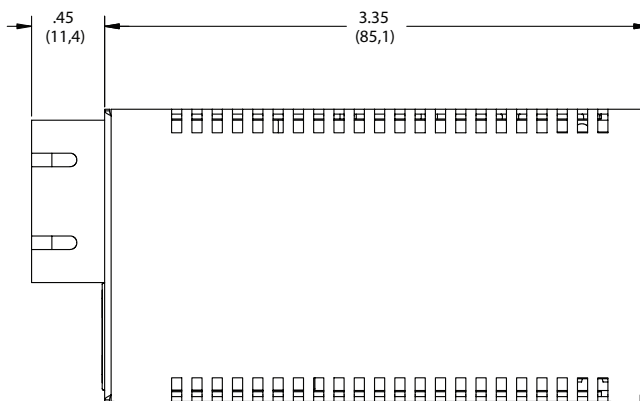
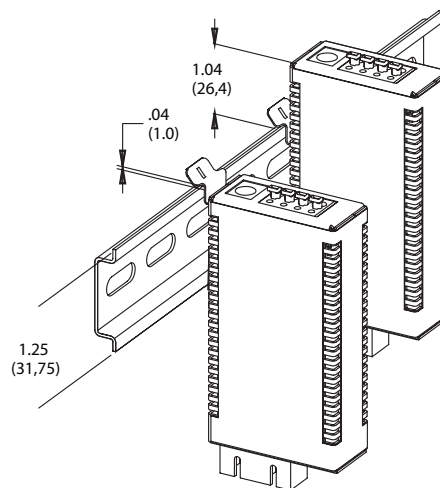
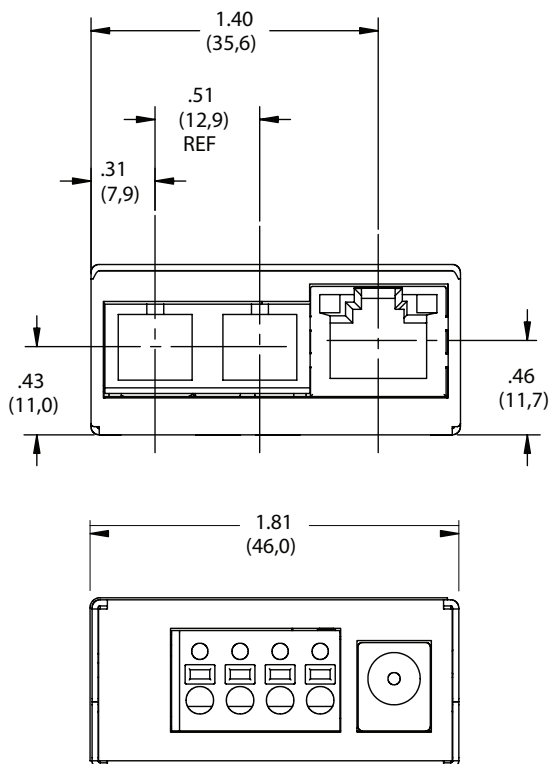
| | |
|--|--------------------------------------|
| Operating Temperature: DC or PoE (PD) | -13° F to 185° F (-25° C to +85° C) |
| Operating Temperature: AC wall adapter | +14° F to +122° F (-10° C to +50° C) |
| Storage Temperature: | -13° F to +185° F (-25° C to +85° C) |
| Operating Humidity | 5% to 95% (non-condensing) |

REGULATORY APPROVALS

| |
|--|
| FCC Class A (using DC terminal or PoE power) |
| FCC Class B (using any DC jack, optional) |
| UL/cUL, CSA, CE |
| NEMA TS2 (select models) |

MECHANICAL DIAGRAM

(dimensions in inches & millimeters)



X-ON Electronics

Largest Supplier of Electrical and Electronic Components

Click to view similar products for [Ethernet Modules](#) category:

Click to view products by [B+B SmartWorx](#) manufacturer:

Other Similar products are found below :

[TDKEZW3](#) [V23993-USB1029A](#) [100-POE4](#) [I210T1BLK](#) [X520QDA1](#) [BCM84794A1KFSBG](#) [X520DA2OCP](#) [808-38157](#) [7506GX2](#) [TC](#)
[EXTENDER 2001 ETH-2S](#) [105FX-SC-MDR](#) [110FX2-SC](#) [BCM54291B0IQLEG](#) [7000-P3201-P050150](#) [750-1415](#) [750-494](#) [750-495](#) [750-612](#)
[750-613](#) [750-627](#) [750-643](#) [750-940](#) [753-440](#) [753-540](#) [753-650/003-000](#) [852-1322](#) [852-1328](#) [852-1812](#) [852-1813](#) [852-1816](#) [LANTICK PE-](#)
[0-16](#) [LANTICK PE-16-0](#) [RBMTXLITE-L4X2.X.X.X.X.](#) [USR-TCP232-T2](#) [2017008](#) [EKI-7708E-4F-AE](#) [EKI-7708E-4FP-AE](#) [EKI-7708G-](#)
[4FP-AE](#) [2352903-2](#) [753-620](#) [EGU-0702-SFP-T](#) [SW-125](#) [SW-525](#) [SW-725](#) [1005957](#) [1006191](#) [304TX-N](#) [WIZ107SR_TTL](#) [ES-320](#)
[TDKEZW5](#)