

# Smallest, Most Reliable Switching Media Converter

MiniMc & MiniMc SFP



## PRODUCT FEATURES

- One 100 Mbps FDX fiber port or 1 SFP fiber port
- One 10/100 Base-TX twisted pair port
- AutoCross automatic selection between crossover or straight-through connection
- Status LEDs
- 18 connections in the 1.5U high IE-PowerTray/18 Chassis

Media conversion is the most cost-effective solution for extending the productive life of legacy wiring plants and equipment while allowing implementation of new technologies. Media conversion's greatest benefits are flexibility and cost savings.

Measuring less than 3.5 inches deep and 2 inches wide, the MiniMc is the industry's smallest media converter with both data connections on the same side of the unit, and at a fraction of the cost of other alternatives. Plug-and-play operation with a variety of model types and powering options make the MiniMc series easy and convenient to use.

## ACCESSORIES

- 806-39105 - DIN Rail Clip
- 806-39628 - USB 36"/.9m Power Cable (for MiniMc only)
- 806-39629 - USB 12"/.3m Power Cable (for MiniMc only)
- 806-39638 - Double-USB Power Cable, 36"/.9m
- 806-39650 - 12"/.3m Barrel-Connector Power Cable
- 850-13086 - IE-PowerTray/18-AC (-20°C to +70°C), 18-slot AC powered chassis
- 895-39229 - Wall Mount Bracket

## ORDERING INFORMATION

MODEL NUMBER	FIBER	FIBER PORTS	RANGE	ETHERNET PORTS	ETHERNET CONNECTOR
<b>MiniMc SFP *</b>					
855-10619	SFP	1	Various	1	RJ45

\* SFP Fiber sold separately

## ORDERING INFORMATION

MODEL NUMBER	FIBER	FIBER PORTS	RANGE	ETHERNET PORTS	ETHERNET CONNECTOR
<b>MiniMc TP-TX/FX</b>					
855-10620	MM850-ST	1	2 km	1	RJ45
855-10621	MM850-SC	1	2 km	1	RJ45
855-10622	MM1300-ST	1	5 km	1	RJ45
855-10623	MM1300-SC	1	5 km	1	RJ45
855-10624	SM1310/PLUS-ST	1	40 km	1	RJ45
855-10625	SM1310/PLUS-SC	1	40 km	1	RJ45
855-10626	SM1310/LONG-ST	1	80 km	1	RJ45
855-10627	SM1310/LONG-SC	1	80 km	1	RJ45
855-10641	SM1550/LONG-SC	1	80 km	1	RJ45

## SINGLE STRAND FIBER \*

855-10650	SSFX-MM1300-SC	1	2 km	1	RJ45
855-10651	SSFX-MM1550-SC	1	2 km	1	RJ45
855-10652	SSFX-SM1310-SC	1	20 km	1	RJ45
855-10653	SSFX-SM1550-SC	1	20 km	1	RJ45
855-10654	SSFX-SM1310/PLUS-SC	1	40 km	1	RJ45
855-10655	SSFX-SM1550/PLUS-SC	1	40 km	1	RJ45
855-10656	SSFX-SM1310/LONG-SC	1	60 km	1	RJ45
855-10657	SSFX-SM1550/LONG-SC	1	60 km	1	RJ45

\* These products have single-strand fiber technology. Deploy in pairs or connect another compatible B&B IMC LLC single-strand fiber product.

**MiniMc TP-TX/FX also available in CWDM Fiber.  
Call for details.**

# Smallest, Most Reliable Switching Media Converter

MiniMc & MiniMc SFP



## SPECIFICATIONS

### TECHNICAL

IEEE 802.3 10Base-T twisted pair
IEEE 802.3u 100Base-TX twisted pair
Supports jumbo packets up to 1916 bytes
Plug-and-play operation
RJ45, ST or SC connectors and SFPs available
50/125µm or 62.5/125µm multi-mode fiber
9/125µm single-mode fiber
Available with single-strand fiber support
Country-specific, high-reliability power adapter
Auto Negotiation, Auto-Cross for MDI/MDIX
Layer 2 packet switching, store and forward (forwarding rate: 14,881 pps for 10 Mbps, 148,100 pps for 100 Mbps)
Status LEDs

### MECHANICAL

Dimensions	0.83"H x 1.80"W x 3.35"D (2.11 x 4.57 x 8.51 cm)
Shipping Weight	0.7 lbs (.317 kg)

### POWER

5 VDC, 500mA
AC Adapter: +32° F to +122° F (0° C to +50° C)

### ENVIRONMENTAL

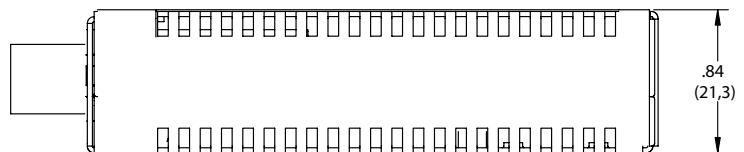
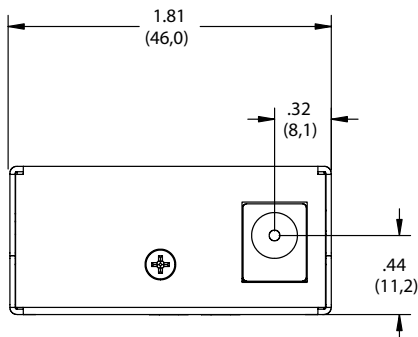
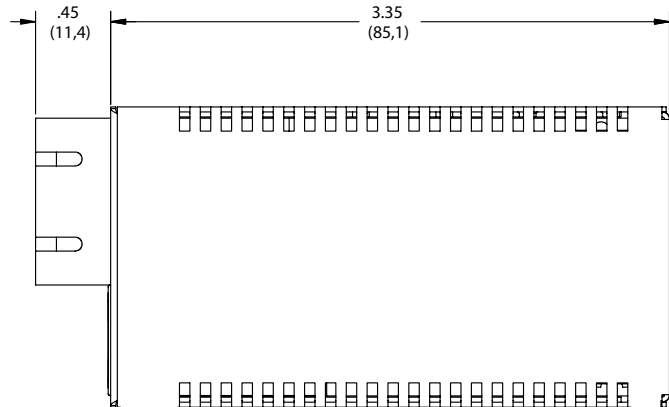
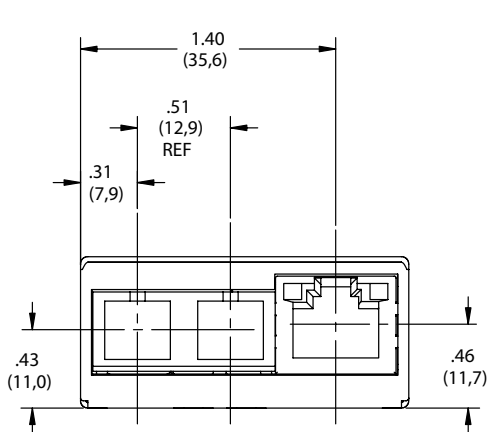
Operating Temperature:	+32° F to +122° F (0° C to +50° C)
Storage Temperature:	-31° F to +167° F (-35° C to +75° C);
Operating Humidity	5% to 95% (non-condensing)

### REGULATORY APPROVALS

FCC Class B
UL/cUL, CSA, CE

## MECHANICAL DIAGRAM

(dimensions in inches & millimeters)



## X-ON Electronics

Largest Supplier of Electrical and Electronic Components

*Click to view similar products for [Media Converters](#) category:*

*Click to view products by [B+B SmartWorx](#) manufacturer:*

Other Similar products are found below :

[EIS-PS-US](#) [CF-020010-009](#) [EIS-EXTEND-C-EU](#) [DT-51190.5m](#) [DT5002F](#) [WT32-ETH01](#) [USR-K6](#) [WC-PD13F012A](#) [WC-PD30B050G](#)  
[EKI-2541ML-EU-AE](#) [EKI-2541SL-EU-AE](#) [EKI-2741ML-EU-AE](#) [EKI-2741SL-EU-AE](#) [CF-020011-2N9](#) [EKI-1751-AE](#) [EKI-1751PI-M-AE](#)  
[EKI-1751PI-R-AE](#) [EKI-2541M-AE](#) [EKI-2541MI-AE](#) [EKI-2541S-AE](#) [EKI-2541SI-AE](#) [EKI-2741F-BE](#) [EKI-2741FI-BE](#) [EKI-2741FL-EU-AE](#)  
[EKI-2741FL-US-AE](#) [EKI-2741LX-AE](#) [CA-628485-D84](#) [CA-628485-D85](#) [CF-020008-000](#) [CF-020008-001](#) [CF-020010-721](#) [CF-020010-97X](#)  
[CF-020011-1N9](#) [CF-020011-32N](#) [CF-020011-330](#) [CF-901201-097](#) [CTC-55F005-NW](#) [102MCE-SC-15](#) [850-15526](#) [855-10932](#) [856-15410](#)  
[857-11912](#) [IMC-350I-SE-PS-A](#) [IMC-350-MMST-PS-A](#) [IMC-350I-M8ST-PS-A](#) [IMC-350I-MM-A](#) [IMC-350I-SE-A](#) [IMC-350I-M8-A](#) [IMC-](#)  
[370-MM-PS-A](#) [IMC-370I-MM-PS-A](#)