

Smallest, Most Reliable Switching Media Converter

MiniMc & MiniMc SFP

B+B SMARTWORX

Powered by

ADVANTECH

www.advantech-bb.com



Fixed fiber version shown

PRODUCT FEATURES

- One 100 Mbps fixed FDX fiber port or 1 SFP fiber port
- One 10/100 Base-TX twisted pair port
- AutoCross automatic selection between crossover or straight-through connection
- Status LEDs
- 18 connections in the 1.5U high IE-PowerTray/18 Chassis

Media conversion is the most cost-effective solution for extending the productive life of legacy wiring plants and equipment while allowing implementation of new technologies. Media conversion's greatest benefits are flexibility and cost savings. Designed and manufactured in the USA, the MiniMc extends 10 and 100 Mbps twisted pair network segments up to 80 km over fiber. Both a media and data rate converter, the MiniMc features 10/100 Auto Negotiation on the copper port while the fiber port operates at 100 Mbps full duplex. MiniMc 10/100 switching fiber converters are ideal for all premises, FTTH, LAN-to-LAN or LAN-to-MAN fiber networking applications.

Measuring less than 3.5 inches deep and 2 inches wide, the MiniMc is the industry's smallest unmanaged media converter with both data connections on the same side of the unit, and at a fraction of the cost of other alternatives. Plug-and-play operation with a variety of model types and powering options make the MiniMc series easy and convenient to use.

The AC power adapter is included with all models listed. Other power options are listed under Accessories.

ACCESSORIES

- 806-39105 - DIN Rail Clip
- 806-39628 - USB 36"(0.9m) Power Cable (for MiniMc only)
- 806-39629 - USB 12"(0.3m) Power Cable (for MiniMc only)
- 806-39650 - 12"(0.3m) Barrel-Connector Power Cable
- 850-13086 - IE-PowerTray/18-AC (-20 to +70 °C), 18-slot AC powered chassis
- 895-39229 - Wall Mount Bracket
- 806-39720 - AC Power Adapter

ORDERING INFORMATION

MODEL NUMBER	FIBER TYPE	FIBER PORTS	RANGE	ETHERNET PORTS	ETHERNET CONNECTOR
MiniMc SFP* with LFPT					
855-10619	SFP	1	Various	1	RJ45

* Only Model 855-10619 offers LFPT (Link Fault Pass Through) diagnostic feature. (SFP fiber sold separately and available through B+B SmartWorx.)

ORDERING INFORMATION

MODEL NUMBER	FIBER TYPE	FIBER PORTS	RANGE	ETHERNET PORTS	ETHERNET CONNECTOR
MiniMc TP-TX/FX					
855-10620	MM850-ST	1	2 km	1	RJ45
855-10621	MM850-SC	1	2 km	1	RJ45
855-10622	MM1300-ST	1	5 km	1	RJ45
855-10623	MM1300-SC	1	5 km	1	RJ45
855-10624	SM1310/PLUS-ST	1	40 km	1	RJ45
855-10625	SM1310/PLUS-SC	1	40 km	1	RJ45
855-10626	SM1310/LONG-ST	1	80 km	1	RJ45
855-10627	SM1310/LONG-SC	1	80 km	1	RJ45

SINGLE STRAND FIBER *

855-10650	SSFx-MM1300-SC	1	2 km	1	RJ45
855-10651	SSFx-MM1550-SC	1	2 km	1	RJ45
855-10652	SSFx-SM1310-SC	1	20 km	1	RJ45
855-10653	SSFx-SM1550-SC	1	20 km	1	RJ45
855-10654	SSFx-SM1310/PLUS-SC	1	40 km	1	RJ45
855-10655	SSFx-SM1550/PLUS-SC	1	40 km	1	RJ45

* These products have single-strand fiber technology. Deploy in pairs or connect another compatible B+B SmartWorx single-strand fiber product.

All product specifications are subject to change without notice.
MiniMc & MiniMc SFP_0317ds

Smallest, Most Reliable Switching Media Converter

MiniMc & MiniMc SFP



SPECIFICATIONS

TECHNICAL

IEEE 802.3 10Base-T twisted pair
IEEE 802.3u 100Base-TX twisted pair
Supports jumbo packets up to 1916 bytes
Plug-and-play operation
RJ45, ST or SC connectors and SFPs available
50/125µm or 62.5/125µm multi-mode fiber
9/125µm single-mode fiber
Available with single-strand fiber support
Country-specific, high-reliability power adapter
Auto Negotiation
Auto-Cross for MDI/MDIX
Layer 2 packet switching, store and forward (forwarding rate: 14,881 pps for 10 Mbps, 148,100 pps for 100 Mbps)
Status LEDs

MECHANICAL

Dimensions	0.84"H x 1.81"W x 3.35"D (21.3 x 46.0 x 85.1 mm)
Shipping Weight	0.7 lbs (.317 kg)

POWER

5 VDC, 500mA
AC Adapter: 32~122F (0~50C)

ENVIRONMENTAL

Operating Temperature:	32~122F (0~50C)
Storage Temperature:	-31~167F (-35~75C)
Operating Humidity	5% to 95% (non-condensing)
MTBF	796,650 hrs.

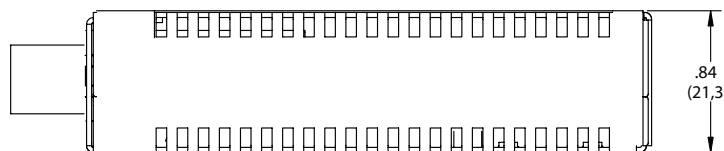
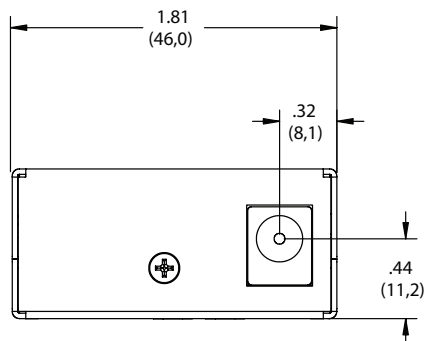
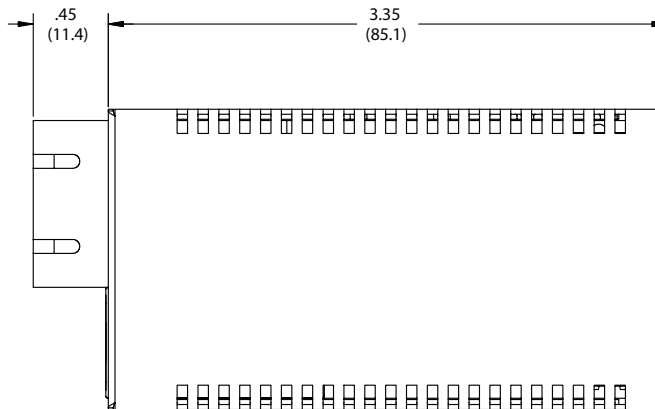
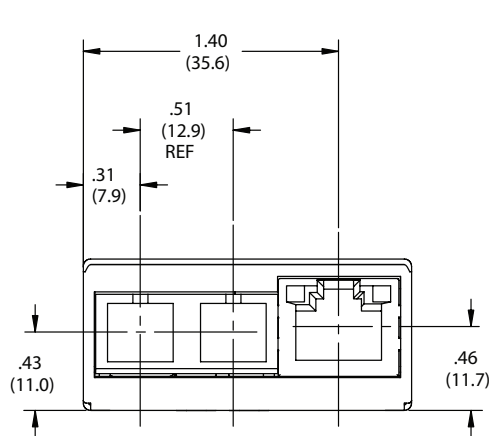
REGULATORY APPROVALS

FCC Class B
UL/cUL, CSA, CE

MECHANICAL DIAGRAM

(dimensions in inches & millimeters)

*1x9 Fixed Fiber version shown here



X-ON Electronics

Largest Supplier of Electrical and Electronic Components

Click to view similar products for [Ethernet Modules](#) category:

Click to view products by [B+B SmartWorx](#) manufacturer:

Other Similar products are found below :

[1026937](#) [1026932](#) [M38510/00302BCA](#) [70001610](#) [70001634](#) [850-15633](#) [PD-AS-951/12-24](#) [GX-OC1601](#) [1402407](#) [I210T1](#) [I350T4V2](#)
[SBL2EX](#) [SL170115](#) [GX-OD1612](#) [CPTS-4R4E-R](#) [TDKEZW3](#) [I350F2](#) [I350F2BLK](#) [I350T2V2](#) [V23993-USB1029A](#) [100-POE4](#) [105FX-ST](#)
[105TX-SL](#) [SEG305-T](#) [70001992](#) [70001993](#) [708TX](#) [854-19720](#) [I350T4V2BLK](#) [I350T2V2BLK](#) [I210T1BLK](#) [PD-OUT/MBK/S](#) [SX-BR-](#)
[4600WAN2-US](#) [W4S105C](#) [X710DA4FHBLK](#) [I350T2V2BLK](#) [936714](#) [GX-ID1611](#) [3G8F7-DRM21-E](#) [EKI-2525I-BE](#)
[BCM53426A0KFSBG](#) [PCM-24R2GL-AE](#) [96NIC-1G4P-PE-IN2](#) [0.70001777](#) [BCM53402A0KFSBG](#) [105FXE-SC-15-POE](#) [PD-OUT/MBK/G](#)
[856-15410](#) [X520QDA1](#) [BCM84794A1KFSBG](#) [X520DA2OCP](#)