



Protocol-Independent, Fiber Mode Conversion via SFP Modules

IE-ModeConverter



PRODUCT FEATURES

- Interchangeable SFP modules allow for multiple fiber mode/type conversion options (single-mode, multi-mode, long haul, short haul, etc.)
- Extended operating temperatures
- Multiple mounting options (Desktop, DIN Rail, IE-PowerTray/18-AC [for high-density installations])
- Compact size conserves space
- AC or DC powering options
- Supports a full range of fiber SFP Modules in various transmission speeds, from 10 Mbps up to 2.4 Gbps*
- Wallmount Bracket

Mode converters allow network operators to incorporate multiple fiber types within a network. The IE-ModeConverter provides the ability to accomplish this by working with existing equipment and thus, eliminating replacement costs. With the flexibility to convert fiber between single-mode, multi-mode, single-strand and various wavelengths, one can easily extend network range to reach more remote locations. Additionally, since the IE-ModeConverter is an Industrial Equipment device (IE), the unit operates in environments that demand extended operating temperatures.

The IE-ModeConverter uses SFP modules to provide greater fiber flexibility in the network environment. The hot-swappable nature of the SFPs and the numerous fiber modes and types available allow for easy configuration and future upgrading as network demands evolve.

The SFP modules must be MSA compliant and support the same speed range. The IE-ModeConverter operates as a mode converter only and not as a rate or media converter.

ORDERING INFORMATION

MODEL NUMBER	DESCRIPTION	FIBER PORTS	DISTANCE
IE-ModeConverter SFP/SFP with AC Adapter **			
855-19619	SFP	2	Various
IE-ModeConverter SFP/SFP without AC Adapter **			
854-19619	SFP	2	Various

* Certified at 1.25 Gbps, 2.4 Gbps is achievable

** SFP fibers sold separately

ACCESSORIES

- 806-39105 - DIN Rail Clip
- 806-39638 - Double-USB Power Cable, 36"/.9m
- 806-39650 - 12"/.3m Barrel-Connector Power Cable
- 850-13086 - IE-PowerTray/18-AC (-20°C to +70°C), 18-slot AC powered chassis
- 895-39229 - Wall Mount Bracket

Protocol-Independent, Fiber Mode Conversion via SFP Modules

IE-ModeConverter



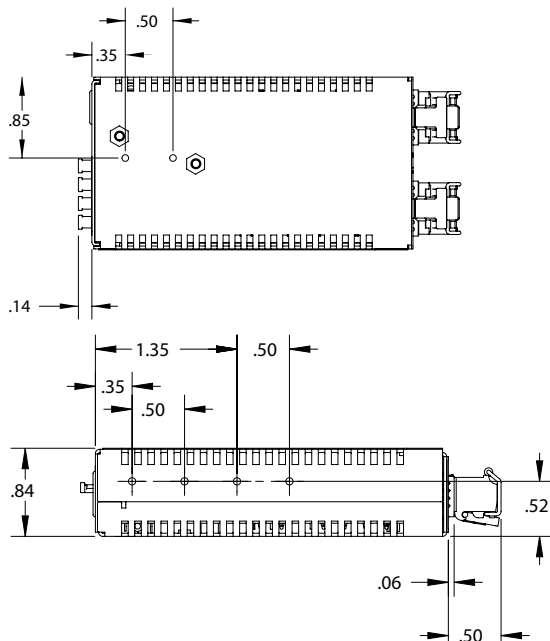
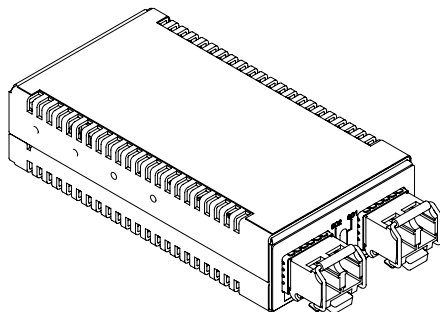
SPECIFICATIONS

TECHNICAL

- Two SFP ports
- Protocol-independent operation
- Converts between dissimilar fiber modes and wavelengths
- Includes diagnostic LEDs
- Hot-swappable architecture
- Small Form Factor
- 7 VDC to 50 VDC terminal block powering option
- Supports an external 5 VDC power module (not extended temperature)
- Extended temperature range from -10° to +50° C
- Compatible with IMC Networks SFPs and all standard MSA compliant SFP transceivers
- Supports DIN Rail mounting
- DC terminal block has dual inputs and supports cascading power
- Standard Compliance
- SFP-MSA SFP standard (September 14, 2000)
- SFF-8472 DDM1 standard (Revision 1.0)

MECHANICAL DIAGRAM

(dimensions in inches)



MECHANICAL

- Dimensions: 0.83"H x 1.80"W x 3.35"D (2.11 x 4.57 x 8.51 cm)
- Shipping Weight: 0.25 lbs (0.11 kg)

AC WALL ADAPTER

100 to 240 ±10% VAC input, 5 VDC output, 2A max.

DC INPUT VOLTAGE

+7 to +50 VDC @ 2.5 Watts (chassis grounded to negative terminal)

POWER

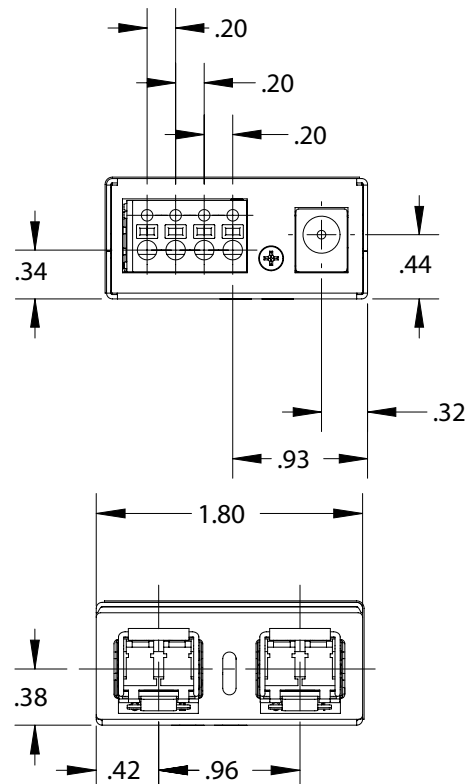
Maximum 3.3 Watts of combined power to both SFPs

ENVIRONMENTAL

- Operating Temperature:
 - 13°F to +185°F (-25°C to +85°C)
 - DC configuration: -4°F to +158°F (-20°C to +70°C)
 - DIN Railmount power supply: +14°F to +122°F (-10°C to +50°C) with AC wall adapter
- Storage Temperature: -49°F to +185°F (-45°C to +85°C)
- Operating Humidity: 5% to 95% (non-condensing), 0 – 10,000 ft. altitude

REGULATORY APPROVALS

- FCC Class A
- UL/cUL, CSA, CE



X-ON Electronics

Largest Supplier of Electrical and Electronic Components

Click to view similar products for [Networking Modules](#) category:

Click to view products by [B+B SmartWorx](#) manufacturer:

Other Similar products are found below :

[MS25041-4-327](#) [SE305-T](#) [509FX-SC](#) [SE308-T](#) [FCOPPER-SFP-100](#) [75070R-70](#) [75060R-40](#) [301-2010-27](#) [DC-ES-4SB-EU](#)
[MGM111E256V2](#) [LTP5901IPC-IPRB1C1#PBF](#) [LTP5901IPC-IPRC1C2#PBF](#) [LTP5901IPC-IPRC1C1#PBF](#) [LTP5901IPC-IPRB1C2#PBF](#)
[LTP5901IPC-IPRA1C2#PBF](#) [VSMD001V072](#) [65440R](#) [2000000844](#) [2000000849](#) [WISE-1020-0C01E](#) [WISE-1020-0S01E](#) [WISE-1021WR-](#)
[1100E](#) [RAPID-NI-V2005](#) [RAPID-NI-V2011](#) [RAPID-NI-V2105](#) [855-19619](#) [X2E-Z1C-W1-W](#) [X2E-Z4C-D2-A](#) [PuIM-1G4T-I211-BP-R10](#)
[PuIM-1G4T-I211-R10](#) [PUZZLE-IN003B-C0/8G-R10](#) [XXV710DA2OCP2](#) [MO11AA003-01R](#) [WP20010NMK-01](#) [WP500100S-01](#)
[XP1001000-05R](#) [XP1001000M-05R](#) [XP100200S-05R](#) [XPDNC2000-01](#) [XPP100200S-02R](#) [112113-0001](#) [112113-0007](#) [1203630001](#) [SST-](#)
[DN4-PCU](#) [2200515](#) [XpressV7-LP690HE-Gen3](#) [113990838](#) [SD-300-US](#) [MGM13P02F512GA-V2](#) [MGM13S02F512GA-V3](#)