

Smallest, Most Reliable Gigabit Switching Media Converter

Giga-MiniMc SFP with LFPT & Giga-MiniMc TX/SX & TX/LX



PRODUCT FEATURES

- One 1000Base-SC or 1000Base-LX fiber port
- One 10/100/1000 Mbps twisted pair port
- Status LEDs
- AutoCross automatic selection between crossover or straight-through connection
- 18 connections in the 1.5U high IE-PowerTray/18 Chassis
- SFP available

Media conversion is the most cost-effective solution for extending the productive life of legacy wiring plants and equipment while allowing implementation of new technologies. Media conversion's greatest benefits are flexibility and cost savings.

Measuring less than 3.5 inches deep and 2 inches wide, the Giga-MiniMc is the industry's smallest gigabit media converter with both data connections on the same side of the unit, and at a fraction of the cost of other alternatives. Plug-and-play operation with a variety of model types and powering options make the Giga-MiniMc easy and convenient to use.

ACCESSORIES

- 806-39105 - DIN Rail Clip
- 806-39638 - Double-USB Power Cable, 36"/.9m
- 806-39650 - 12"/.3m Barrel-Connector Power Cable
- 850-13086 - IE-PowerTray/18-AC (-20°C to +70°C), 18-slot AC powered chassis
- 895-39229 - Wall Mount Bracket

ORDERING INFORMATION

MODEL NUMBER	FIBER	FIBER PORTS	RANGE	ETHERNET PORTS	ETHERNET CONNECTOR
Giga-MiniMc SFP with LFPT					
856-10747	SFP	1	Various	1	RJ45
Giga-MiniMc TX/SX and TX/LX					
856-10730	SX-MM850-SC	1	220/550 km	1	RJ45
856-10730-ST	SX-MM850-SC	1	220/550 km	1	RJ45
856-10728	LX-MM1300-SC	1	2 km	1	RJ45
856-10731	LX-SM1310-SC	1	10 km	1	RJ45
856-10732	LX-SM1310/ PLUS-SC	1	40 km	1	RJ45
856-10733	LX-SM1550/ LONG-SC	1	80 km	1	RJ45
856-10729	LX-SM1550/ XLONG-SC	1	100 km	1	RJ45
SINGLE STRAND FIBER **					
856-10734	SSLX-SM1310-SC	1	15 km	1	RJ45
856-10735	SSLX-SM1550-SC	1	15 km	1	RJ45
856-10742	SSBX-SM1310-SC	1	10 km	1	RJ45
856-10743	SSBX-SM1490-SC	1	10 km	1	RJ45
856-10736	SSLX-SM1310/ PLUS-SC	1	40 km	1	RJ45
856-10737	SSLX-SM1550/ PLUS-SC	1	40 km	1	RJ45
856-10744	SSBX-SM1310/ PLUS-SC	1	30 km	1	RJ45
856-10745	SSBX-SM1490/ PLUS-SC	1	30 km	1	RJ45
856-10738	SSLX-SM1490/ LONG-SC	1	70 km	1	RJ45
856-10739	SSLX-SM1550/ LONG-SC	1	70 km	1	RJ45

* SFP Fiber sold separately

** These products have single-strand fiber technology. Deploy in pairs or connect another compatible B+B IMC LLC single-strand fiber product.

Giga-MiniMc also available in CWDM Fiber. Call for details.

Smallest, Most Reliable Gigabit Switching Media Converter

Giga-MiniMc SFP with LFPT & Giga-MiniMc TX/SX & TX/LX



SPECIFICATIONS

TECHNICAL

Plug-and-play operation
RJ45 and SC or SFP connectors
IEEE 802.3 10Base-T twisted pair
IEEE 802.3u 100Base-TX twisted pair
IEEE 802.3ab 1000Base-T twisted pair
IEEE 802.3z 1000Base-LX or SX fiber
MTU: Supports Jumbo Frames up to 10240 bytes (Giga-MiniMc SFP)
Country-specific, high-reliability power adapter
Layer 2 packet switching, store and forward (forwarding rate: 14,881 pps for 10 Mbps, 148,810 pps for 100 Mbps, 1,488,096 pps for 1000 Mbps)
Auto-Cross for MDI/MDIX
Status LEDs

MECHANICAL

Dimensions	0.83"H x 1.80"W x 3.35"D (2.11 x 4.57 x 8.51 cm)
Shipping Weight	0.7 lbs (.317 kg)

POWER

5 VDC, 600mA
120 VAC, 0.1A

ENVIRONMENTAL

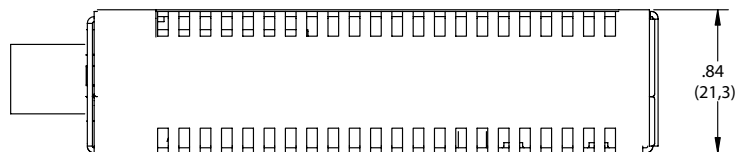
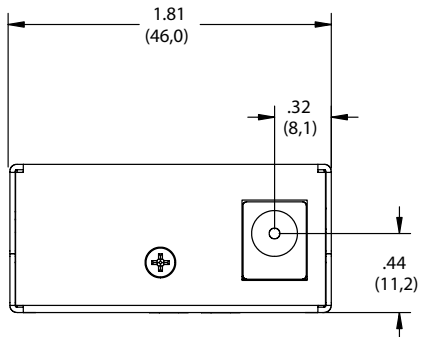
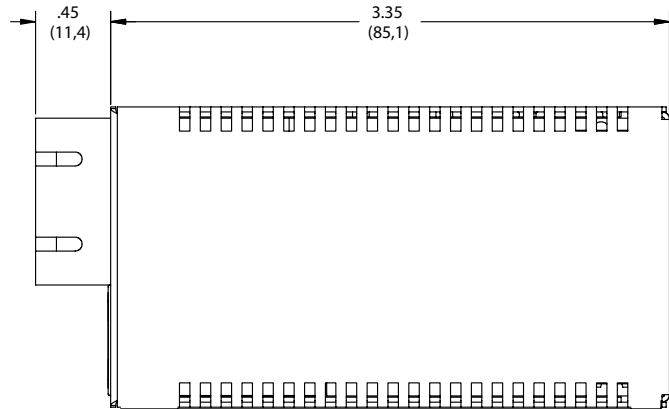
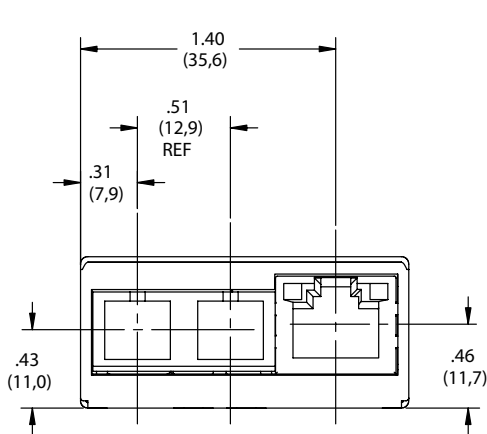
Operating Temperature:	+32° F to +122° F (0° C to +50° C)
Storage Temperature:	-31° F to +167° F (-35° C to +75° C);
Operating Humidity	5% to 95% (non-condensing)

REGULATORY APPROVALS

FCC Class A
UL/cUL, CSA, CE

MECHANICAL DIAGRAM

(dimensions in inches & millimeters)



X-ON Electronics

Largest Supplier of Electrical and Electronic Components

Click to view similar products for [Media Converters](#) category:

Click to view products by [B+B SmartWorx](#) manufacturer:

Other Similar products are found below :

[EIS-PS-US](#) [CF-020010-009](#) [EIS-EXTEND-C-EU](#) [DT-51190.5m](#) [DT5002F](#) [WT32-ETH01](#) [USR-K6](#) [WC-PD13F012A](#) [WC-PD30B050G](#)
[EKI-2541ML-EU-AE](#) [EKI-2541SL-EU-AE](#) [EKI-2741ML-EU-AE](#) [EKI-2741SL-EU-AE](#) [CF-020011-2N9](#) [EKI-1751-AE](#) [EKI-1751PI-M-AE](#)
[EKI-1751PI-R-AE](#) [EKI-2541M-AE](#) [EKI-2541MI-AE](#) [EKI-2541S-AE](#) [EKI-2541SI-AE](#) [EKI-2741F-BE](#) [EKI-2741FI-BE](#) [EKI-2741FL-EU-AE](#)
[EKI-2741FL-US-AE](#) [EKI-2741LX-AE](#) [CA-628485-D84](#) [CA-628485-D85](#) [CF-020008-000](#) [CF-020008-001](#) [CF-020010-721](#) [CF-020010-97X](#)
[CF-020011-1N9](#) [CF-020011-32N](#) [CF-020011-330](#) [CF-901201-097](#) [CTC-55F005-NW](#) [102MCE-SC-15](#) [850-15526](#) [855-10932](#) [856-15410](#)
[857-11912](#) [IMC-350I-SE-PS-A](#) [IMC-350-MMST-PS-A](#) [IMC-350I-M8ST-PS-A](#) [IMC-350I-MM-A](#) [IMC-350I-SE-A](#) [IMC-350I-M8-A](#) [IMC-](#)
[370-MM-PS-A](#) [IMC-370I-MM-PS-A](#)