



10/100/1000 Mbps Ethernet Media Converter

iMcV-Giga-MediaLinX



PRODUCT FEATURES

- Available for multi-mode or single-mode fiber including SFP form factor
- Double fiber capacity with single-strand fiber versions
- Modular, hot-swappable architecture reduces operational costs associated with product installation, upgrades and maintenance
- SNMP Manageable
- Converts 10,100 or 1000 Mbps Copper to 1000 Mbps Fiber
- Supports Configuration Control
- Features Link Fault Pass-Through (LFPT)

Satisfying today's networking needs while preparing for tomorrow's cabling requirements can make designing and installing the physical layer of networks a daunting task. The decreasing cost of fiber optic cabling and switching equipment makes all-optical LANs the obvious choice when future-proofing network equipment. Replacing legacy equipment and wiring infrastructure is a costly choice. Managed media conversion allows implementation of new technologies on existing networks, while monitoring all connections, to keep networks running and up-to-date.

B&B Electronics offers a wide range of SNMP-managed Ethernet copper to fiber media converters, with a choice of fixed rate or rate conversion capabilities. The "iMcV-" modules also include troubleshooting features and LEDs to assist in network diagnostics as well as make isolating cable breaks easier. The iMcV-Giga-MediaLinX and IE-iMcV-Giga-MediaLinX also features Link Fault Pass-Through. In addition, support for Config Control is available if using SNMP management.

All converters feature an RJ-45 copper port and a fiber port, with a choice of SC or SFP (IE-iMcV-Giga-MediaLinX only) connectors, and are hot-swappable. An SFP-form factor is also available, providing more flexibility.

Rate converters employ Auto Negotiation functionality on the twisted pair port for plug-and-play operation, or they can be manually configured for the desired speed and duplex mode.

ORDERING INFORMATION

| MODEL NUMBER | FIBER | FIBER PORTS | RANGE | ETHERNET PORTS | ETHERNET CONNECTOR |
|--|---------------------------------------|-------------|-----------|----------------|--------------------|
| iMcV-Giga-MediaLinX TX/SFP with LFPT and Config Control | | | | | |
| 856-15410 | TX/SFP | 1 | Various | 1 | RJ-45 |
| iMcV-Giga-MediaLinX TX/LX or SX 10/100/1000 Mbps with (LFPT) and Config Control | | | | | |
| 856-11959 | SX-MM850-ST | 1 | 220/550 m | 1 | RJ45 |
| 856-11950 | SX-MM850-SC | 1 | 220/550 m | 1 | RJ45 |
| 856-11951 | LX-SM1310-SC | 1 | 15 km | 1 | RJ45 |
| 856-11952 | LX-SM1310/PLUS-SC | 1 | 40 km | 1 | RJ45 |
| 856-11953 | LX-SM1550/LONG-SC | 1 | 80 km | 1 | RJ45 |
| 856-11958 | LX-SM1550/XLONG-SC | 1 | 100 km | 1 | RJ45 |
| SINGLE STRAND FIBER * | | | | | |
| 856-11940 | SSLX-SM1310-SC (1310xmt/1550rcv) | 1 | 10 km | 1 | RJ45 |
| 856-11941 | SSLX-SM1550-SC (1550xmt/1310rcv) | 1 | 10 km | 1 | RJ45 |
| 856-11933 | SSBX-SM1310-SC (1310xmt/1490rcv) | 1 | 10 km | 1 | RJ45 |
| 856-11935 | SSBX-SM1490-SC (1490xmt/1310rcv) | 1 | 10 km | 1 | RJ45 |
| 856-11942 | SSLX-SM1310/PLUS-SC (1310xmt/1550rcv) | 1 | 40 km | 1 | RJ45 |
| 856-11943 | SSLX-SM1550/PLUS-SC (1550xmt/1310rcv) | 1 | 40 km | 1 | RJ45 |
| 856-11937 | SSBX-SM1310/PLUS-SC (1310xmt/1490rcv) | 1 | 30 km | 1 | RJ45 |
| 856-11939 | SSBX-SM1490/PLUS-SC (1490xmt/1310rcv) | 1 | 30 km | 1 | RJ45 |
| 856-11954 | SSLX-SM1490/LONG-SC (1490xmt/1550rcv) | 1 | 70 km | 1 | RJ45 |
| 856-11955 | SSLX-SM1550/LONG-SC (1550xmt/1490rcv) | 1 | 70 km | 1 | RJ45 |

* These products have single-strand fiber technology. Deploy in pairs or connect another compatible B&B IMC LLC single-strand fiber product.

iMcV-Giga-MediaLinX 10/100/1000Mbps also available in CWDM Fiber. Call for details.



iView: Windows 2000/XP/Vista/Win7

10/100/1000 Mbps Ethernet Media Converter

iMcV-Giga-MediaLinX



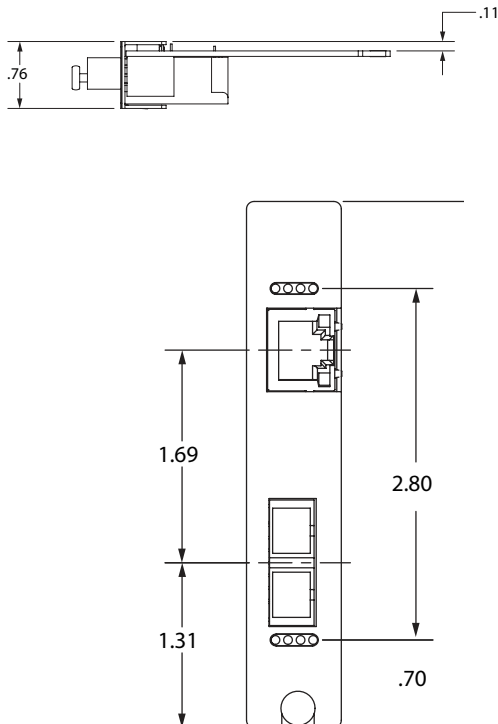
SPECIFICATIONS

TECHNICAL

| |
|---|
| IEEE 802.3 10Base-T |
| IEEE 802.3u 100Base-TX |
| IEEE 802.3ab 1000Base-T twisted pair |
| IEEE 802.3z 1000Base-LX or SX fiber |
| Supports packets up to 1632 bytes |
| Connectors: RJ-45 and ST, SC, LC or SFP |
| IEEE 802.3x Flow Control |
| AutoCross for MDI/MDIX |
| Features LinkLoss and FiberAlert |
| Features Link Fault Pass-Through (LFPT) |
| Features Auto Negotiation and Selective Advertising |
| Layer 2 packet switching, store and forward operation |
| Forwarding rate: 14,881 pps for 10 Mbps; 148,810 pps for 100 Mbps; 1,488,100 pps for 1000 Mbps (Gig only) |
| 50/125µm or 62.5/125µm multi-mode fiber |
| 9/125µm single-mode fiber |
| Available for single-strand fiber |
| Installs in any iMediaChassis or MediaChassis |
| Supports GUI-Based iView ² |
| Supports Half- and Full-Duplex operation |
| Includes diagnostic LEDs |
| Includes hot-swappable architecture |

MECHANICAL DIAGRAM

(dimensions in inches)



MECHANICAL

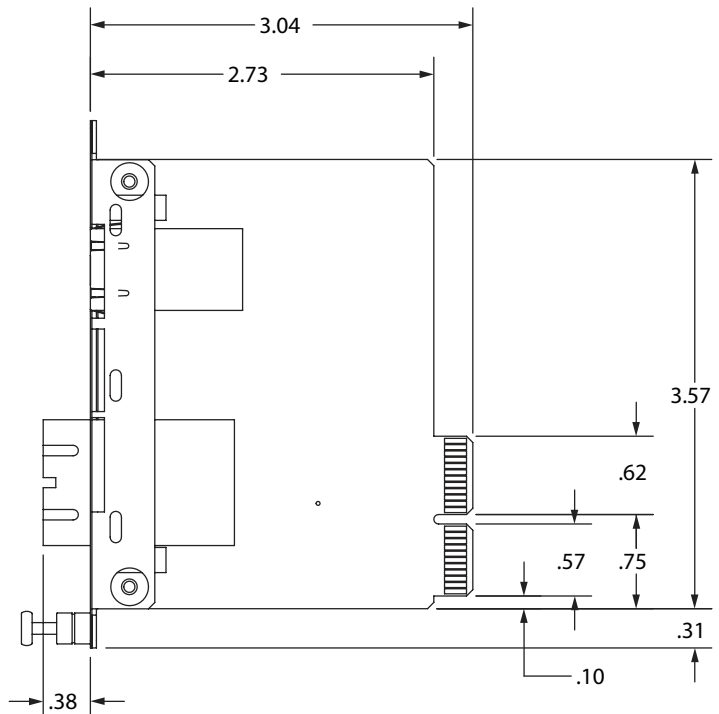
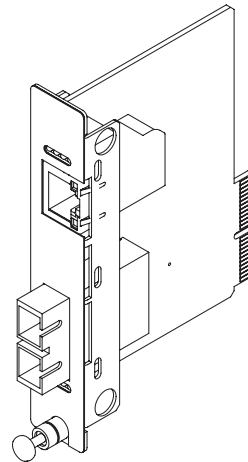
| | |
|-----------------|--|
| Dimensions | 4.19" H x 0.78" W x 2.75" D (10.74 x 2 x 7.05 cm) |
| Shipping Weight | 0.30 lbs (.11 kg) |

ENVIRONMENTAL

| | |
|------------------------|--|
| Operating Temperature: | +32° to +122° F (0° to +50° C) |
| Storage Temperature: | -13° to +158° F (-25° to +70° C) |
| Operating Humidity | 5% to 95% (non-condensing), 0 – 10,000 ft. altitude |

REGULATORY APPROVALS

FCC Class B
CE



X-ON Electronics

Largest Supplier of Electrical and Electronic Components

Click to view similar products for [Media Converters](#) category:

Click to view products by [B+B SmartWorx](#) manufacturer:

Other Similar products are found below :

[EIS-PS-US](#) [CF-020010-009](#) [EIS-EXTEND-C-EU](#) [DT-51190.5m](#) [DT5002F](#) [WT32-ETH01](#) [USR-K6](#) [WC-PD13F012A](#) [WC-PD30B050G](#)
[EKI-2541ML-EU-AE](#) [EKI-2541SL-EU-AE](#) [EKI-2741ML-EU-AE](#) [EKI-2741SL-EU-AE](#) [CF-020011-2N9](#) [EKI-1751-AE](#) [EKI-1751PI-M-AE](#)
[EKI-1751PI-R-AE](#) [EKI-2541M-AE](#) [EKI-2541MI-AE](#) [EKI-2541S-AE](#) [EKI-2541SI-AE](#) [EKI-2741F-BE](#) [EKI-2741FI-BE](#) [EKI-2741FL-EU-AE](#)
[EKI-2741FL-US-AE](#) [EKI-2741LX-AE](#) [CA-628485-D84](#) [CA-628485-D85](#) [CF-020008-000](#) [CF-020008-001](#) [CF-020010-721](#) [CF-020010-97X](#)
[CF-020011-1N9](#) [CF-020011-32N](#) [CF-020011-330](#) [CF-901201-097](#) [CTC-55F005-NW](#) [102MCE-SC-15](#) [850-15526](#) [855-10932](#) [856-15410](#)
[857-11912](#) [IMC-350I-SE-PS-A](#) [IMC-350-MMST-PS-A](#) [IMC-350I-M8ST-PS-A](#) [IMC-350I-MM-A](#) [IMC-350I-SE-A](#) [IMC-350I-M8-A](#) [IMC-](#)
[370-MM-PS-A](#) [IMC-370I-MM-PS-A](#)