



# Industrial Grade 10/100/1000 Miniature Media Converters

## IE-Giga-MiniMc



### PRODUCT FEATURES

- Connects 10/100/1000 Mbps copper to 1000 Mbps fiber
- For use in extended temperature environments
- Cascading power on DIN rail installations
- Dual USB power cable (optional)
- NEMA TS2 (select models)

Media conversion is the most cost-effective and flexible solution for implementing new technologies on legacy wiring plants and equipment. But even reasonably-priced media converters can tack on a substantial sum to networking costs. And space constraints can also be an issue when hundreds of conversions are required.

Measuring less than 3.5 inches deep and 2 inches wide, and having both data connections on the same side of the unit — the IE-Giga-MiniMc is the industry’s smallest media converter at a fraction of the cost of other alternatives.

With Plug-and-Play, Auto Negotiation and AutoCross operation, extreme operating temperatures (-25° to +85° C), DC or AC power, the IE-Giga-MiniMc miniature media converter is easy and convenient to use.

### ACCESSORIES

- 806-39105 - DIN Rail Clip
- 806-39638 - Double-USB Power Cable, 36”/.9m
- 806-39650 - 12”/.3m Barrel-Connector Power Cable
- 850-13086 - IE-PowerTray/18-AC (-20°C to +70°C), 18-slot AC powered chassis
- 895-39229 - Wall Mount Bracket
- 806-39753 - IE-Power/5V Module, AC to DC DIN Rail Power Adapter

### ORDERING INFORMATION

MODEL NUMBER	FIBER	FIBER PORTS	RANGE	ETHERNET PORTS	ETHERNET CONNECTOR
<b>IE-Giga-MiniMc TX/FX SX or LX</b>					
856-18830	MM850-SC	1	220/550 m	1	RJ45
856-18831	SM1310-SC	1	15 km	1	RJ45
856-18832	SM1310/PLUS-SC	1	30 km	1	RJ45
856-18833	SM1550/LONG-SC	1	80 km	1	RJ45
856-18834	SM1550/XLONG-SC	1	100 km	1	RJ45
<b>IE-Giga-MiniMc TX/FX SX or LX - NEMA TS2 rated; modular versions without AC adapter</b>					
854-18830	MM850-SC	1	220/550 m	1	RJ45
854-18831	SM1310-SC	1	15 km	1	RJ45
<b>SINGLE STRAND FIBER *</b>					
856-18835	SSLX-SM1310-SC	1	15 km	1	RJ45
856-18836	SSLX-SM1550-SC	1	15 km	1	RJ45
856-18825	SSBX-SM1310-SC	1	10 km	1	RJ45
856-18826	SSBX-SM1490-SC	1	10 km	1	RJ45
856-18837	SSLX-SM1310/ PLUS-SC	1	40 km	1	RJ45
856-18838	SSLX-SM1550/ PLUS-SC	1	40 km	1	RJ45
856-18827	SSBX-SM1310/ PLUS-SC	1	30 km	1	RJ45
856-18828	SSBX-SM1490/ PLUS-SC	1	30 km	1	RJ45
856-18839	SSLX-SM1510/ LONG-SC	1	70 km	1	RJ45
856-18840	SSLX-SM1570/ LONG-SC	1	70 km	1	RJ45

\* These products have single-strand fiber technology. Deploy in pairs or connect another compatible B&B IMC LLC single-strand fiber product.

**IE-Giga-MiniMc also available in CWDM Fiber. Call for details.**

# Industrial Grade 10/100/1000 Miniature Media Converters

IE-Giga-MiniMc



## SPECIFICATIONS

### TECHNICAL

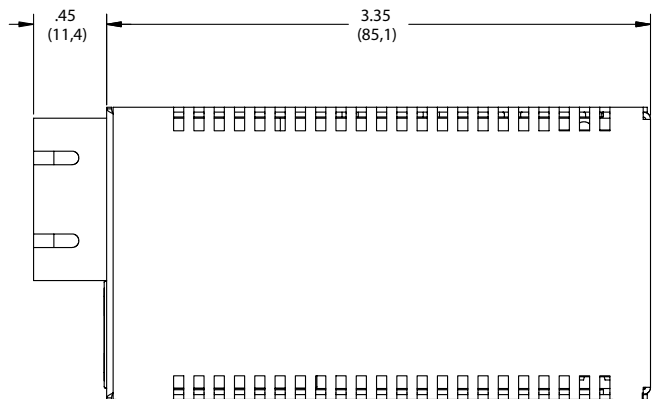
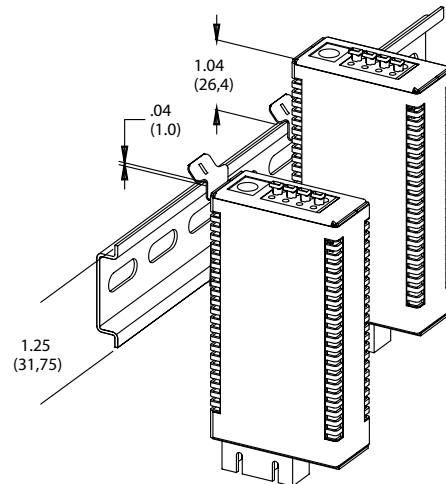
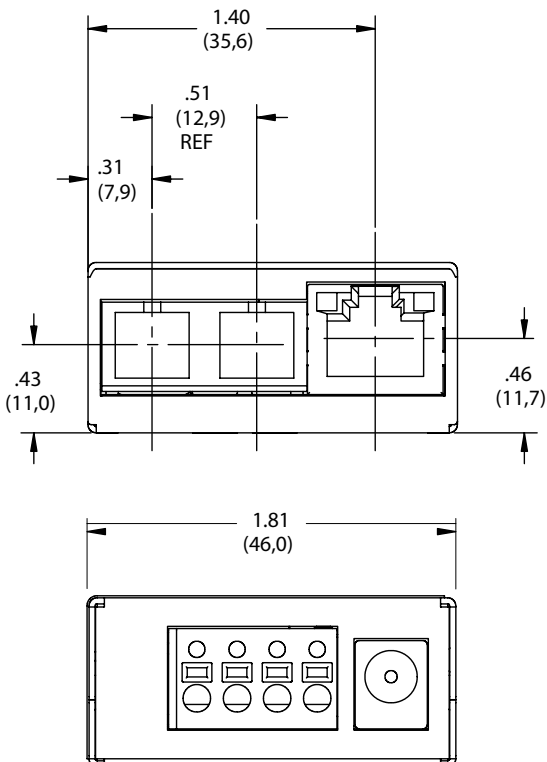
IEEE 802.3 10Base-T twisted pair
IEEE 802.3u 100Base-TX twisted pair
IEEE 802.3ab 1000Base-T twisted pair
IEEE 802.3z 1000Base-LX or SX fiber
MTU: Supports Jumbo Frames up to 10240 bytes
Extended temperature range (DC configuration)
Plug-and-play operation
Accepts RJ45 and SC connectors
50/125µm or 62.5/125µm multi-mode fiber
9/125µm single-mode fiber Single-strand fiber and CWDM models
4-terminal DC power with a pair of input terminals and a pair of output terminals for cascading power on DIN installations
Country-specific, high-reliability power adapter
Auto Negotiation, Auto-Cross for MDI/MDIX
Layer 2 packet switching, store and forward (forwarding rate: 14,881 pps for 10 Mbps, 148,810 pps for 100 Mbps, 1,488,096 pps for 1000 Mbps)
Status LEDs
Supports DIN Rail mounting

### MECHANICAL

Dimensions	0.83"H x 1.80"W x 3.35"D (2.11 x 4.57 x 8.51 cm)
Shipping Weight	0.7 lbs (.317 kg)
<b>POWER</b>	
AC Adapter	100 to 240 ±10% VAC input, 5 VDC @ 2.0 A max
DC Input Voltage	7 to 50 VDC @ 2.5 watts, Chassis grounded to negative terminal
<b>ENVIRONMENTAL</b>	
Operating Temperature: DC terminal block	-13°F to +185°F (-25°C to +85°C)
Operating Temperature: AC Adapter	+14°F to +122°F (-10°C to +50°C)
Storage Temperature:	-31° F to +167° F (-35° C to +75° C);
Operating Humidity	5% to 95% (non-condensing)
<b>REGULATORY APPROVALS</b>	
FCC Class B	
UL/cUL, CSA, CE	
NEMA TS2 (select models)	

## MECHANICAL DIAGRAM

(dimensions in inches & millimeters)



## X-ON Electronics

Largest Supplier of Electrical and Electronic Components

*Click to view similar products for [Media Converters](#) category:*

*Click to view products by [B+B SmartWorx](#) manufacturer:*

Other Similar products are found below :

[EIS-PS-US](#) [CF-020010-009](#) [EIS-EXTEND-C-EU](#) [DT-51190.5m](#) [DT5002F](#) [WT32-ETH01](#) [USR-K6](#) [WC-PD13F012A](#) [WC-PD30B050G](#) [CF-020011-2N9](#) [EKI-1751-AE](#) [EKI-1751PI-M-AE](#) [EKI-1751PI-R-AE](#) [EKI-2541M-AE](#) [EKI-2541MI-AE](#) [EKI-2541S-AE](#) [EKI-2541SI-AE](#) [EKI-2741F-BE](#) [EKI-2741FI-BE](#) [EKI-2741FL-US-AE](#) [EKI-2741LX-AE](#) [CA-628485-D84](#) [CA-628485-D85](#) [CF-020008-000](#) [CF-020008-001](#) [CF-020010-721](#) [CF-020010-97X](#) [CF-020011-1N9](#) [CF-020011-32N](#) [CF-020011-330](#) [CF-901201-097](#) [CTC-55F005-NW](#) [102MCE-SC-15](#) [850-15526](#) [855-10932](#) [856-15410](#) [857-11912](#) [IMC-350I-SE-PS-A](#) [IMC-350-MMST-PS-A](#) [IMC-350I-M8ST-PS-A](#) [IMC-350I-MM-A](#) [IMC-350I-SE-A](#) [IMC-350I-M8-A](#) [IMC-370-MM-PS-A](#) [IMC-370I-MM-PS-A](#) [IMC-370I-SST-PS-A](#) [CTM1051KAT](#) [CTM8251KAT](#) [MS8PD](#) [MS8S2G](#)