

OBDII Y Cable

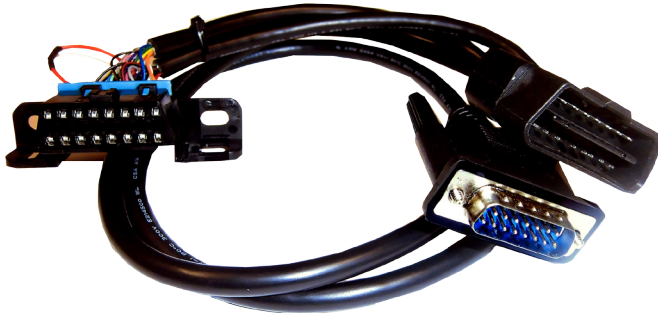
Model LDVYCBL

B+B SMARTWORX

Powered by

ADVANTECH

www.advantech-bb.com

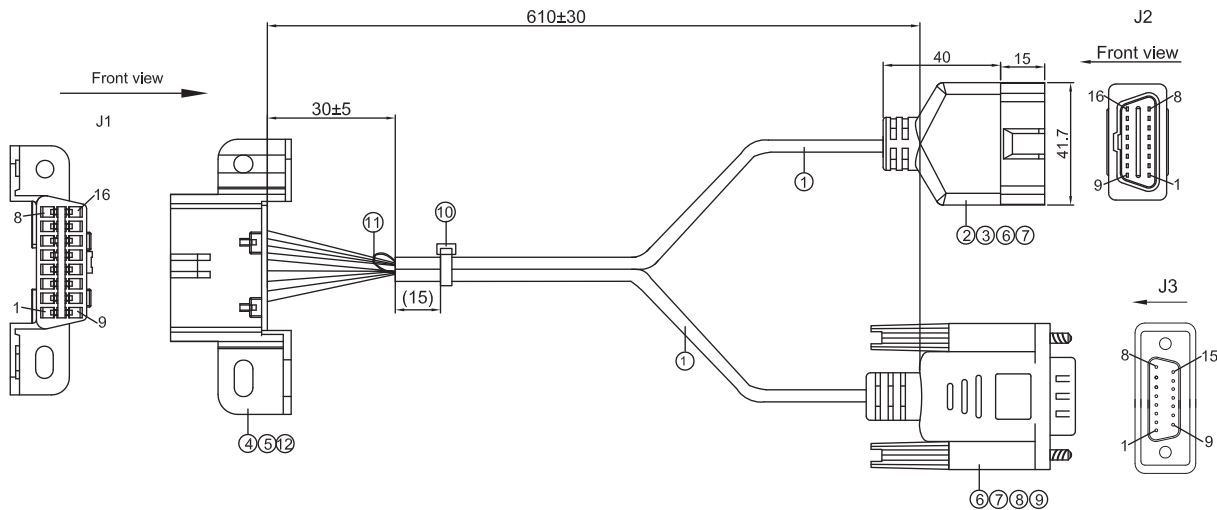


FEATURES

- + OBDII vehicle Y cable
- + 61cm (24 in) length
- + 100% electrical tested
- + Voltage test: 300VDC, 10 ms
- + Connector resistance: 2 Ohm, maximum
- + RoHS compliant

ORDERING INFORMATION

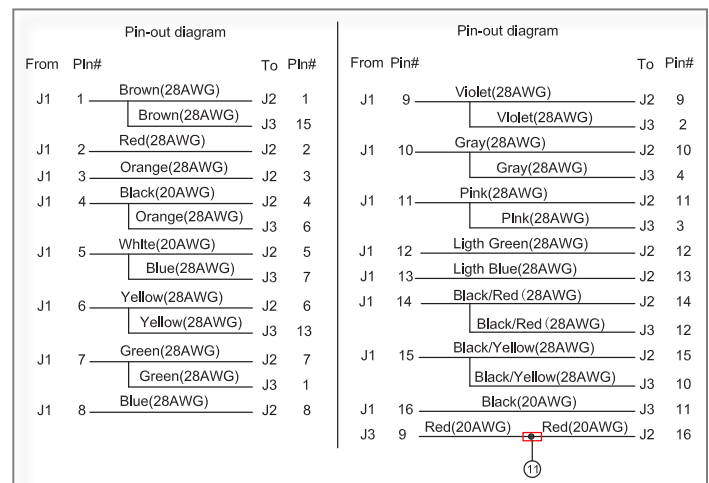
MODEL NO.	CONNECTORS	LENGTH	COLOR
LDVYCBL	Y Cable, OBDII/Vehicle	61 cm (24 in)	Black



MECHANICAL DRAWING (above)

Units = mm

- 1 Cable - UL 2464, 20AWG(21.0.178TS)/3C(Red,Black,White),+28AWG(7/0.127TS)/13C(Brown,Red,Orange, Yellow,Green,Blue,Violet,Gray,Pink, LightGreen,LightBlue,Black/Red, BlackYellow)+Foil Jacket:Black. OD: 6.8+/-0.25mm
- 2 Terminal - OBD male
- 3 Housing - OBD-16P female
- 4 Terminal - 6820603PS7
- 5 Housing - 3DA16FB-M
- 6 Pre-mold - transparent PE material
- 7 Over-mold - Shore A 90 black PVC
- 8 D-subminiature 15P male
- 9 Screw - 4-40#
- 10 Tie - 3*100 black tie
- 11 H/S/T - black heat shrink tube
- 12 Clip - 3DA16FB-C
- 13 Transparent PE Bag



All product specifications are subject to change without notice.
LDVYCBL_OBDII Cable_0118ds

X-ON Electronics

Largest Supplier of Electrical and Electronic Components

Click to view similar products for D-Sub Cables category:

Click to view products by B+B SmartWorx manufacturer:

Other Similar products are found below :

[1200980218](#) [1200980067](#) [RB09P09P-006](#) [RB09P09P-012](#) [RB15P15P-006](#) [RB25P25P-006](#) [RB37P37P-024](#) [172-0906](#) [SHD15P15S-012](#)
[SHD15P15S-036](#) [177-710-1-9S6K7-24MNN](#) [RB09P09P-024](#) [319285-3](#) [RS422-OM2](#) [SHD26P26S-060](#) [SHD44P44S-036](#) [73-6210MM-6](#)
[C200H-CN320-EU](#) [49725A 060S2](#) [73231-1321](#) [SDB-50AFFM-SL7A02](#) [49760A 060S2](#) [HDB-26AFFM-SL7A02](#) [30-9503P](#) [30-9522P](#) [73-](#)
[6220MM-6](#) [1200980058](#) [1200980066](#) [1200980078](#) [1200980052](#) [1200980093](#) [1200980028](#) [1200980021](#) [1200980127](#) [SDB-09AFFM-](#)
[SL7A02](#) [BB-LDVYCBL](#) [83421-9286](#) [MLDM2L-21P-6K7-18B](#) [KSFD1](#) [MM-2J2-021-SS1-41WN](#) [HDB-78AMMM-SL7A05](#) [SDB-](#)
[37AMMM-SL7A03](#) [SDB-15AFFM-SL7A05](#) [ACC-500-163-R](#) [172-1910](#) [VS-25-DSUB-20-LI-2,0](#) [VS-25-DSUB-20-LI-5,0](#) [30-9506MF](#)
[MLDM2L-25P-6K7-18B](#) [2305622](#)