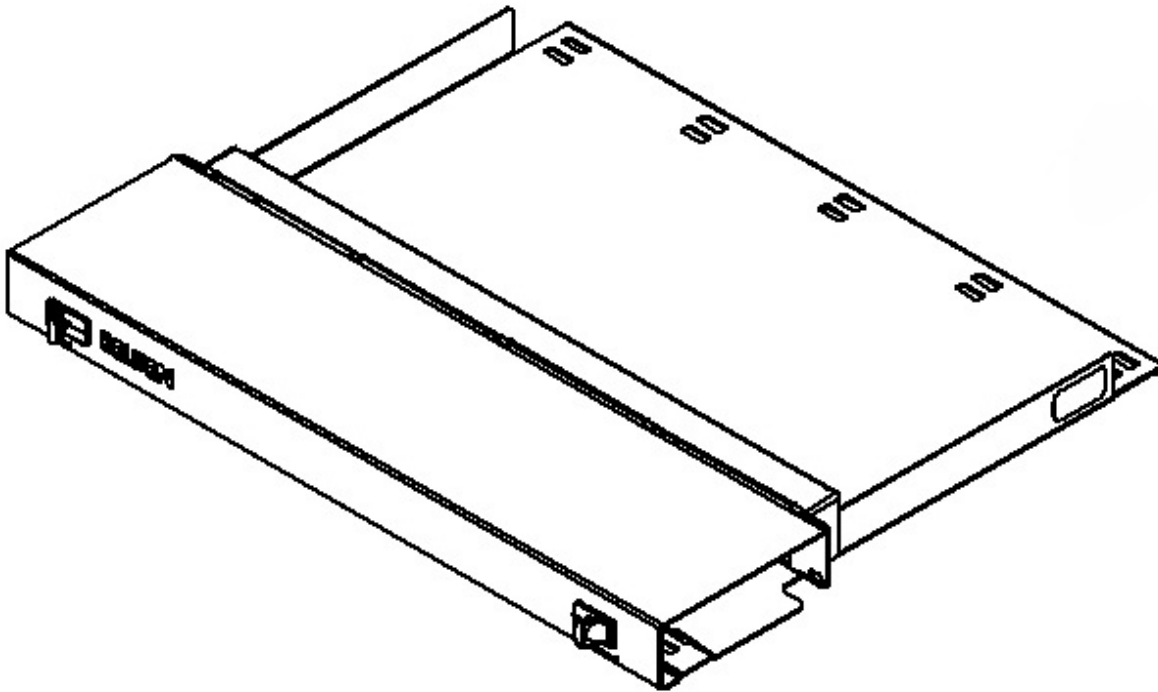


## AX105164 Faceplates and Panels - FiberExpress Ultra HD Standard Shelf 1U



For more  
Information  
please call  
1-800-Belden1

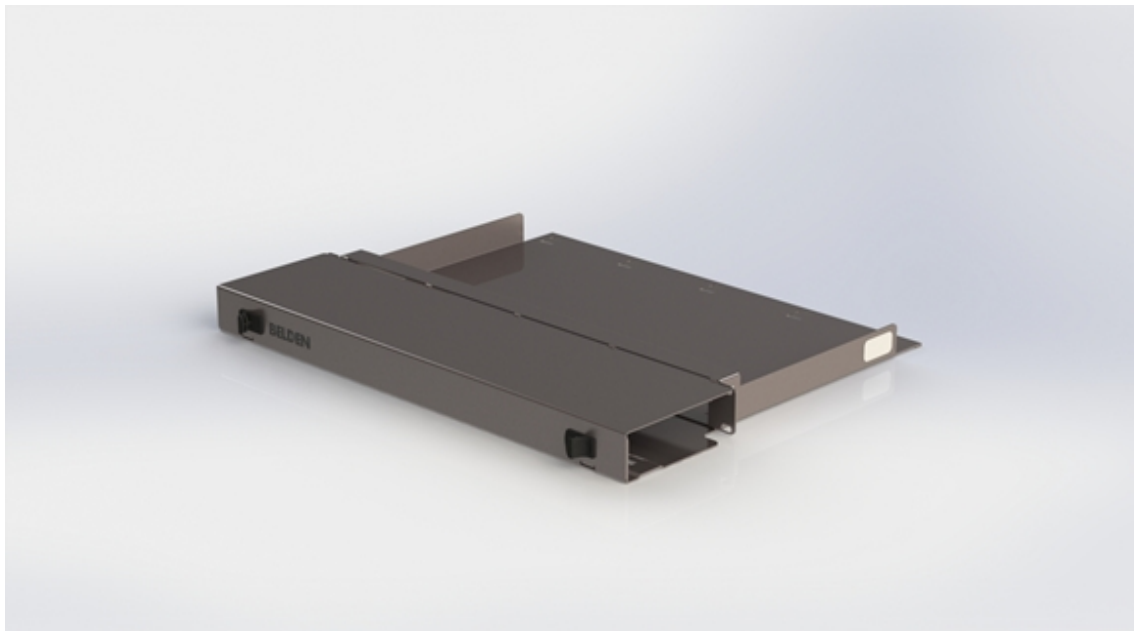


### General Description:

FiberExpress Ultra HD Standard Shelf 1U, Empty, Titanium

### Image

Image:



### Usage (Overall)

## AX105164 Faceplates and Panels - FiberExpress Ultra HD Standard Shelf 1U

**Suitable Applications:** FiberExpress Solutions, Backbone, Telecommunications Room, Main Distribution Room, Data Centers

**Related Parts:** FiberExpress Ultra and Ultra High Density Frames and Cassettes

### Physical Characteristics (Connectivity)

#### Capacity

FXU HD Patch Panel Capacity:

Type	FX Ultra HD Frame/ Cassettes	FX Ultra HD LC Duplex / MPO Connectors	FX Ultra Frame/ Cassettes	FX Ultra LC Duplex / MPO Connectors
1U FiberExpress Ultra HD Patch Panel STD & RECS Shelf	4	72	4	48
4U FiberExpress Ultra HD Patch Panel STD & RECS Shelf	10	180	10	120
1U FiberExpress Ultra HD Bezel Panel	4	72	4	48

#### Access

**Front Connection:** Static FXU HD / 1inch Pullout FXU

**Termination Area:** Front

#### Dimensions

Dimensions:

Height (in.)	Width (in.)	Depth (in.)
1.750	19.000	15.500

#### Materials

Materials:

Description	Material
Panel	Steel/Aluminum
Door	Aluminum

#### Color

**Color:** Titanium

#### Weight

**Weight:** 8.170 lbs.

#### Included Parts

**Included Parts:** Screws (12-24); Screws (10-32); Velcro Straps; Identification Labels

#### Packaging

**Packaging:** Individually packaged in a cardboard box.

### Mechanical Characteristics (Connectivity)

**Storage Temperature Range:** -40°C To +70°C

**Operating Temperature Range:** -10°C To +60°C

### Applicable Specifications and Agency Compliance (Overall)

#### Applicable Standards & Environmental Programs

**EU Directive 2002/95/EC (RoHS):** Yes

**EU RoHS Compliance Date (mm/dd/yyyy):** 02/23/2009

**MII Order #39 (China RoHS):** EUP 50

#### Suitability

**Suitability - Indoor:** Yes

### Transmission Characteristics (Connectivity)

### Notes (Overall)

**Notes:** For more information, please refer to our web site at <http://www.belden.com>. Installation Guide: PX105539.

## AX105164 Faceplates and Panels - FiberExpress Ultra HD Standard Shelf 1U

### Product Family

#### Part Numbers:

Description	Titanium Item Number	Black Item Number	Tool Item number
FX UHD Patch Panel Housing 1U, Empty	AX104681	AX105563	-
FX UHD Patch Panel Housing 2U, Empty	AX104682	AX105564	-
FX UHD Patch Panel Housing 4U, Empty	AX104683	AX105565	-
FX UHD Splice Housing Kit 1U, 144 Splices, Empty	AX104684	AX105678	-
FX UHD 1U Standard Fixed Shelf, Empty	AX105164	AX105673	-
FX UHD 1U Recessed Fixed Shelf, Empty	AX105165	AX105674	-
FX UHD 4U Standard Fixed Shelf, Empty	AX105166	AX105675	-
FX UHD 1U Standard Trayless Shelf, Empty	AX105811	AX105810	-
FX UHD 4U Recessed Fixed Shelf, Empty	AX105167	AX105676	-
FX UHD 1U Frame, Empty	AX105813	AX105812	-
FX UHD Splice Housing Kit 1U, 72 Splices, Empty	AX105174	AX105677	-
FX UHD Patch Cord Tray Cover	AX105162	AX105672	-
FX UHD Release Tool	-	-	AX104685
FX UHD Splice Accessory Kit	-	-	AX104705
FX UHD Patch Panel Housing Fixed 1U	AX107275	-	-
FX UHD Patch Panel Housing Fixed 2U	AX107276	AX107286	-
FX UHD Patch Panel Fix Short 2U	AX107418	AX107417	-

### Put Ups and Colors:

Item #	Putup	Ship Weight	Color	Notes	Item Desc
--------	-------	-------------	-------	-------	-----------

Revision Number: 0    Revision Date: 05-17-2016

© 2019 Belden, Inc  
All Rights Reserved.

Although Belden makes every reasonable effort to ensure their accuracy at the time of this publication, information and specifications described herein are subject to error or omission and to change without notice, and the listing of such information and specifications does not ensure product availability.

Belden provides the information and specifications herein on an "AS IS" basis, with no representations or warranties, whether express, statutory or implied. In no event will Belden be liable for any damages (including consequential, indirect, incidental, special, punitive, or exemplary damages) whatsoever, even if Belden has been advised of the possibility of such damages, whether in an action under contract, negligence or any other theory, arising out of or in connection with the use, or inability to use, the information or specifications described herein.

All sales of Belden products are subject to Belden's standard terms and conditions of sale. Belden believes this product to be in compliance with EU RoHS (Directive 2002/95/EC, 27-Jan-2003). Material manufactured prior to the compliance date may be in stock at Belden facilities and in our Distributor's inventory. The information provided in this Product Disclosure, and the identification of materials listed as reportable or restricted within the Product Disclosure, is correct to the best of Belden's knowledge, information, and belief at the date of its publication. The information provided in this Product Disclosure is designed only as a general guide for the safe handling, storage, and any other operation of the product itself or the one that it becomes a part of. This Product Disclosure is not to be considered a warranty or quality specification. Regulatory information is for guidance purposes only. Product users are responsible for determining the applicability of legislation and regulations based on their individual usage of the product.

## X-ON Electronics

Largest Supplier of Electrical and Electronic Components

*Click to view similar products for [Fibre Optic Connectors](#) category:*

*Click to view products by [Belden](#) manufacturer:*

Other Similar products are found below :

[0004700001](#) [6100-R](#) [6313](#) [F709034706](#) [F709722200](#) [F709730000](#) [F718183204](#) [F727403500](#) [F727752800](#) [8119](#) [9440F20-27S-190](#) [944-120-6001](#) [9441F10SL-3S](#) [9444W28-21S](#) [9444W36-10S](#) [9446F10SL-4S](#) [9446W20-16S](#) [953-101-5310-P](#) [954-101-57202B](#) [A0270169](#) [12-9122](#) [12-5702](#) [AX101713](#) [AX102420](#) [AX103923](#) [AX104024](#) [AX104193](#) [AX104230](#) [AX104498](#) [AX104562](#) [AX105203-B25](#) [AX105205-S1](#) [EHSC2M](#) [181-011-126](#) [181-011-S](#) [181-057-126](#) [HRFC-R2\(40\)](#) [NKSOPBUY](#) [20500002116](#) [2064996-1](#) [20800001065](#) [2170](#) [9132](#) [2612](#) [2620](#) [9291](#) [9440F16-10S](#) [9440F20-18S](#) [9442W14S-10P](#) [9446F16-10S-190](#)