

THE INFORMATION CONTAINED HEREIN IS CONSIDERED
 "PROPRIETARY" TO BEL FUSE INC. AND SHALL NOT BE
 COPIED, REPRODUCED OR DISCLOSED WITHOUT THE
 WRITTEN APPROVAL OF BEL FUSE INC.

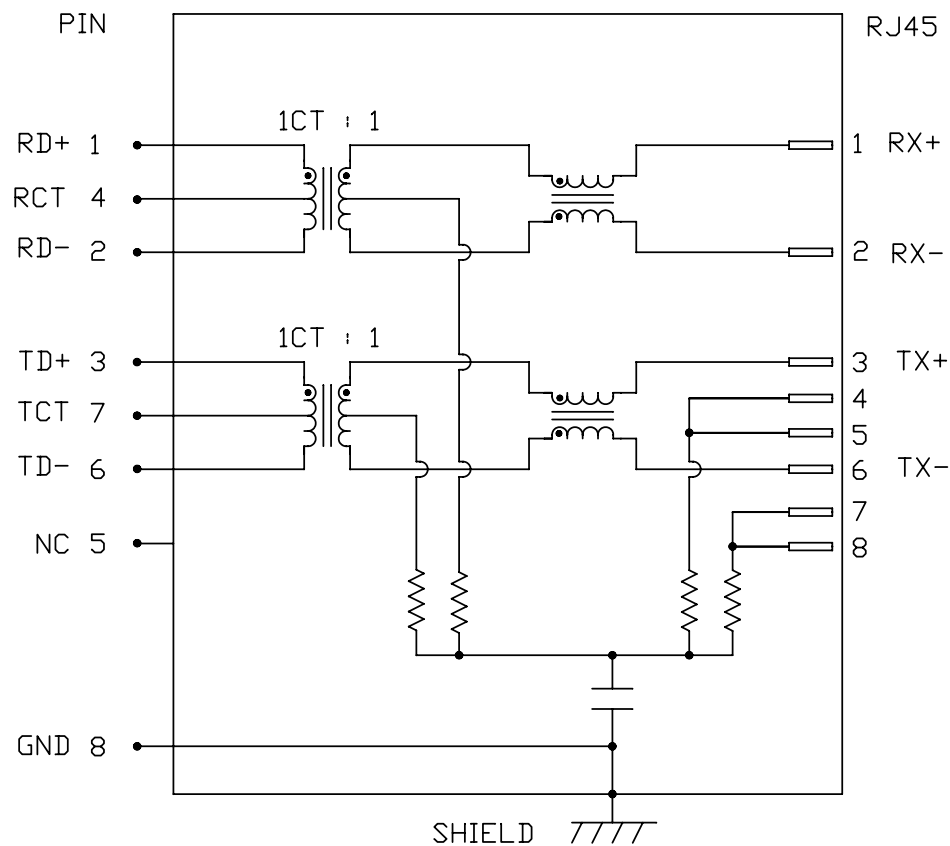
RoHS



ELECTRICAL CHARACTERISTICS @ 25°C

| | | |
|--------------------|---------------|--|
| RETURN LOSS (MIN.) | | |
| 1MHz-30MHz | -18 dB | |
| 60MHz-80MHz | -12 dB | |
| INSERTION LOSS | | |
| 100KHz TO 100MHz | -1.1 dB | |
| DC @ 0.1V, 100KHz | | |
| 8mA DC BIAS | 350µH MIN. | |
| TURNS RATIO | 1CT : 1CT ±3% | |
| CM TO CM REJ | | |
| 100kHz - 100MHz | -35 dB MIN | |
| CM TO DM REJ | | |
| 100kHz - 100MHz | -40 dB MIN | |
| XTALK | | |
| 100KHz TO 100MHz | -35 dB MIN. | |

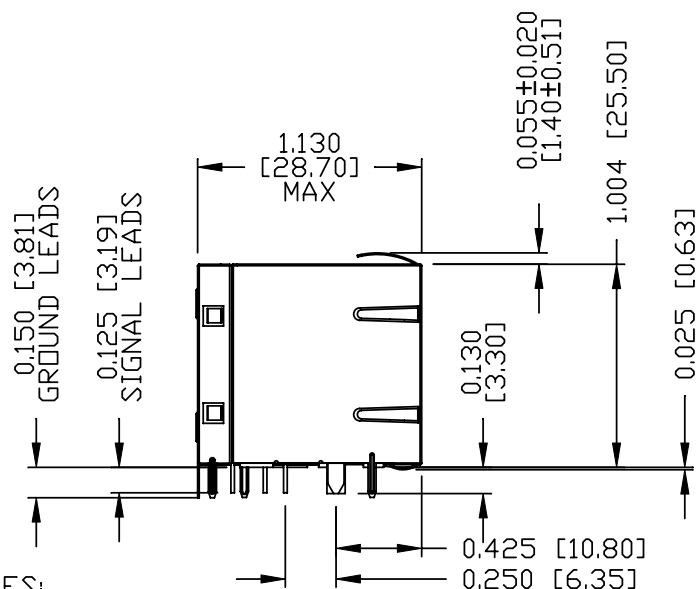
SCHEMATIC



| | | | | | | | | |
|--------------------------------|--------------------|------------------------------------|--|---------------|--|------------------------------|-----------|---|
| ORIGINATED BY CHOW WANCHUNG | DATE 2012-07-10 | TITLE 2X6 MagJack® (4 Cores) | PART NO. / DRAWING NO. 08112X6R28-F | STANDARD DIM. | | [] METRIC DIM. AS REFERENCE | | bel |
| | | | | TOL. IN INCH | | UNIT : INCH [mm] | REV. : B | |
| DRAWN BY TAN QIGUANG | DATE 2012-07-10 | 0811-2X6R-28-F PATENTED | FILE NAME 08112X6R28-F_B.DWG | .X | | SCALE : N/A | SIZE : A4 | COMPONENTS FOR A CONNECTED PLANET |
| | | | | .XX | | | PAGE : 2 | |
| | | | | .XXX | | | | |

THE INFORMATION CONTAINED HEREIN IS CONSIDERED "PROPRIETARY" TO BEL FUSE INC. AND SHALL NOT BE COPIED, REPRODUCED OR DISCLOSED WITHOUT THE WRITTEN APPROVAL OF BEL FUSE INC.

RoHS

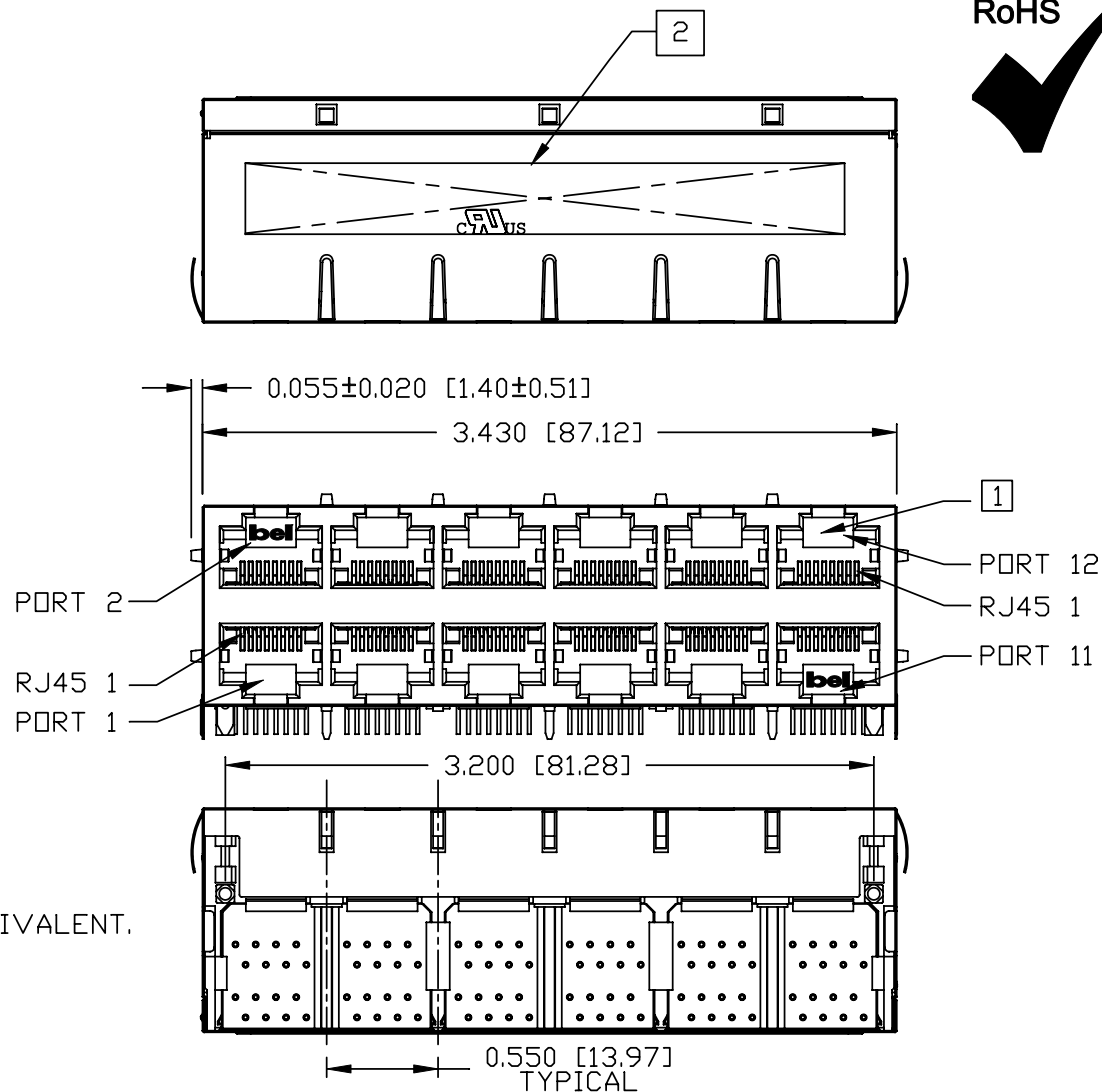


NOTES:

- PLASTIC HOUSING: THERMOPLASTIC PBT
FLAMMABILITY RATING UL 94V-0
- CONTACT PLATING: 30 MICRO-INCH HARD GOLD PLATING OR EQUIVALENT.
- OUTPUT PINS: TIN-COATED COPPER WIRE, DIA 0.018 INCH.
- METAL SHIELD: NICKEL PLATED COPPER ALLOY,
(ALL GROUND LEADS ARE SOLDER DIPPED)

- 1. JACK CAVITY CONFORMS TO FCC RULES AND REGULATIONS, PART 68 SUBPART F.
- 2. MARK PART WITH MFG LOGO, MFG NAME, PART NUMBER, DATE CODE AND PATENTED.

c USUL RECOGNIZED - FILE #E196366 AND E169987.



- 3. THE PRODUCT IS RoHS COMPLIANT.
- 4. THE PRODUCT IS PATENTED, THE PATENT NUMBER IS U.S. PAT. 5,736,910.

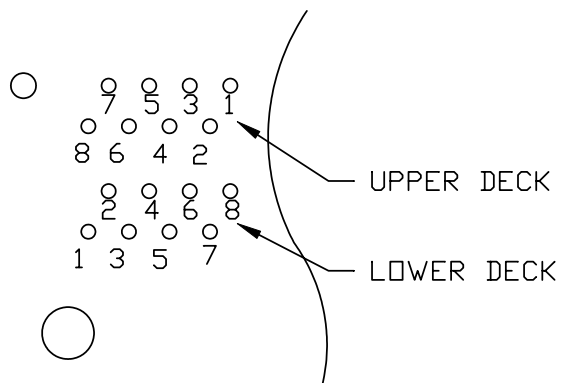
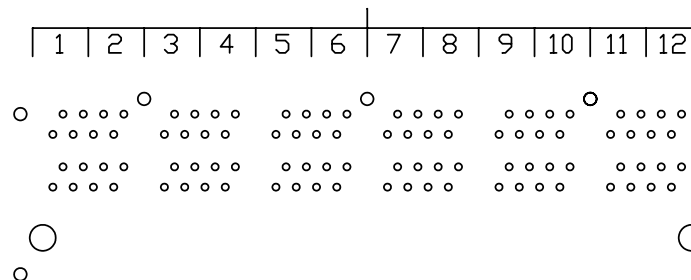
| | | | | | | | |
|---------------|------------|----------------------------|------------------------|----------------------------|------------------------------|--|-----------|
| ORIGINATED BY | DATE | TITLE | PART NO. / DRAWING NO. | STANDARD DIM. TOL. IN INCH | [] METRIC DIM. AS REFERENCE | | |
| ANTON LIAO | 2012-07-10 | 2X6 MagJack® (4 Cores) | 08112X6R28-F | .X | UNIT : INCH [mm] | | REV. : B |
| DRAWN BY | DATE | 0811-2X6R-28-F PATENTED | FILE NAME | .XX | SCALE : N/A | | SIZE : A4 |
| HE ZHEN | 2012-07-10 | | 08112X6R28-F_B.DWG | .XXX ±0.010 | | | PAGE : 3 |

THE INFORMATION CONTAINED HEREIN IS CONSIDERED "PROPRIETARY" TO BEL FUSE INC. AND SHALL NOT BE COPIED, REPRODUCED OR DISCLOSED WITHOUT THE WRITTEN APPROVAL OF BEL FUSE INC.

RoHS

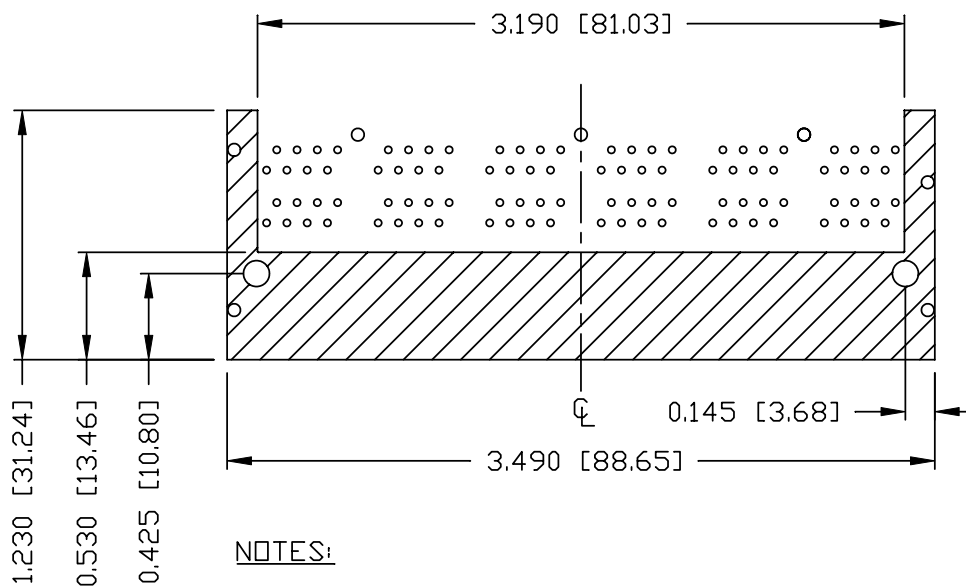


PORT ASSIGNMENT
(COMPONENT SIDE VIEW)



PIN-OUT INFORMATION
(COMPONENT SIDE VIEW)

| | |
|---|------|
| 8 | GND |
| 7 | TCT |
| 6 | TD- |
| 5 | NC |
| 4 | RCT |
| 3 | TD + |
| 2 | RD - |
| 1 | RD + |



NOTES:

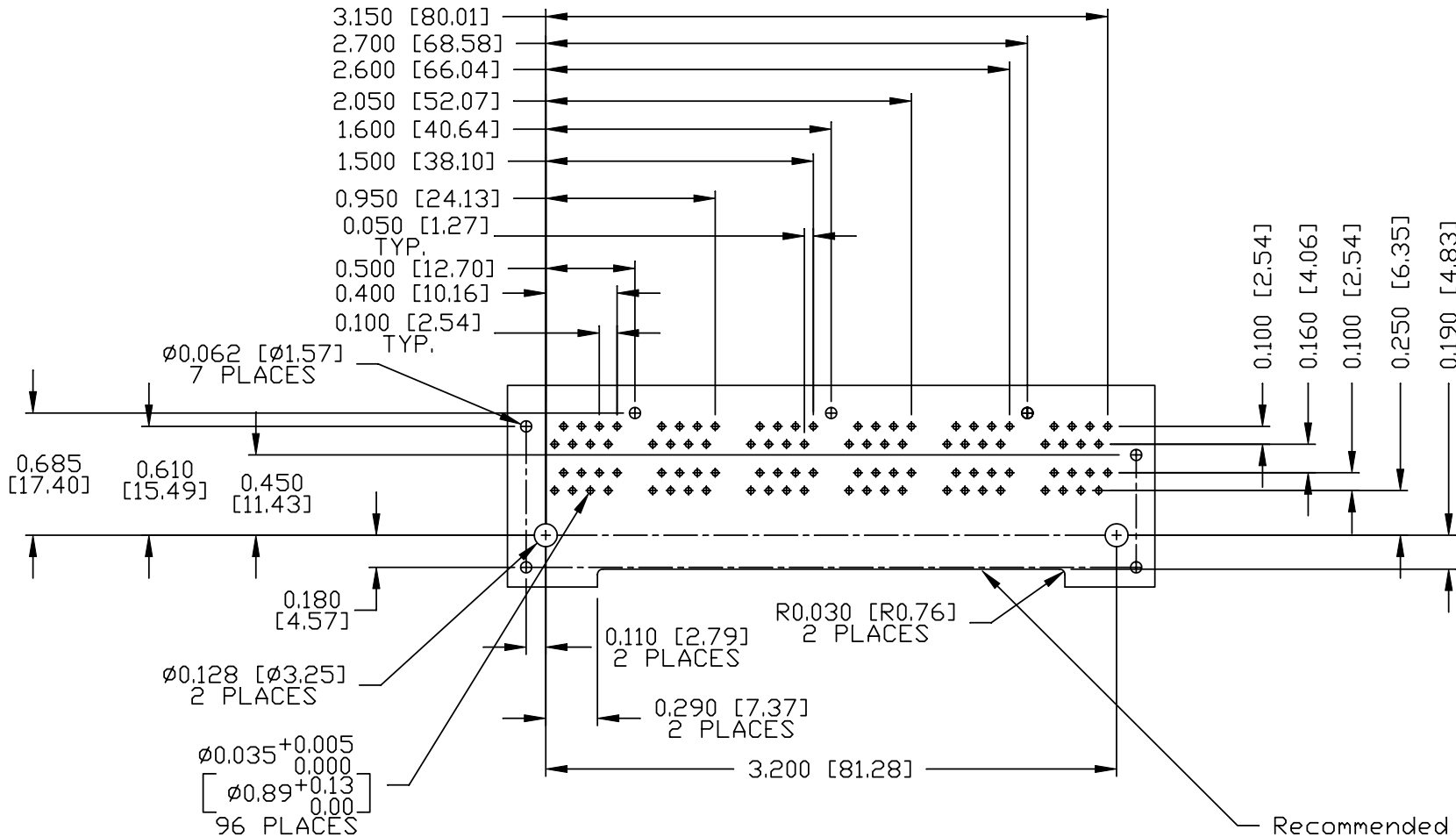
THE SHADED AREA ON THE CUSTOMER BOARD ARE RECOMMENDED TO BE CLEAR OFF ANY VIA HOLE OR COMPONENT PAD.

| | | | | | | |
|---------------|------------|---|------------------------|----------------------------|------------------------------|-----------|
| ORIGINATED BY | DATE | TITLE | PART NO. / DRAWING NO. | STANDARD DIM. TOL. IN INCH | [] METRIC DIM. AS REFERENCE | |
| ANTON LIAO | 2012-07-10 | | | | UNIT : INCH [mm] | REV. : B |
| DRAWN BY | DATE | 2X6 MagJack® (4 Cores) 0811-2X6R-28-F PATENTED | FILE NAME | .X .XX .XXX | SCALE : N/A | SIZE : A4 |
| HE ZHEN | 2012-07-10 | | | | 08112X6R28-F_B.DWG | ±0.004 |



THE INFORMATION CONTAINED HEREIN IS CONSIDERED "PROPRIETARY" TO BEL FUSE INC. AND SHALL NOT BE COPIED, REPRODUCED OR DISCLOSED WITHOUT THE WRITTEN APPROVAL OF BEL FUSE INC.

RoHS



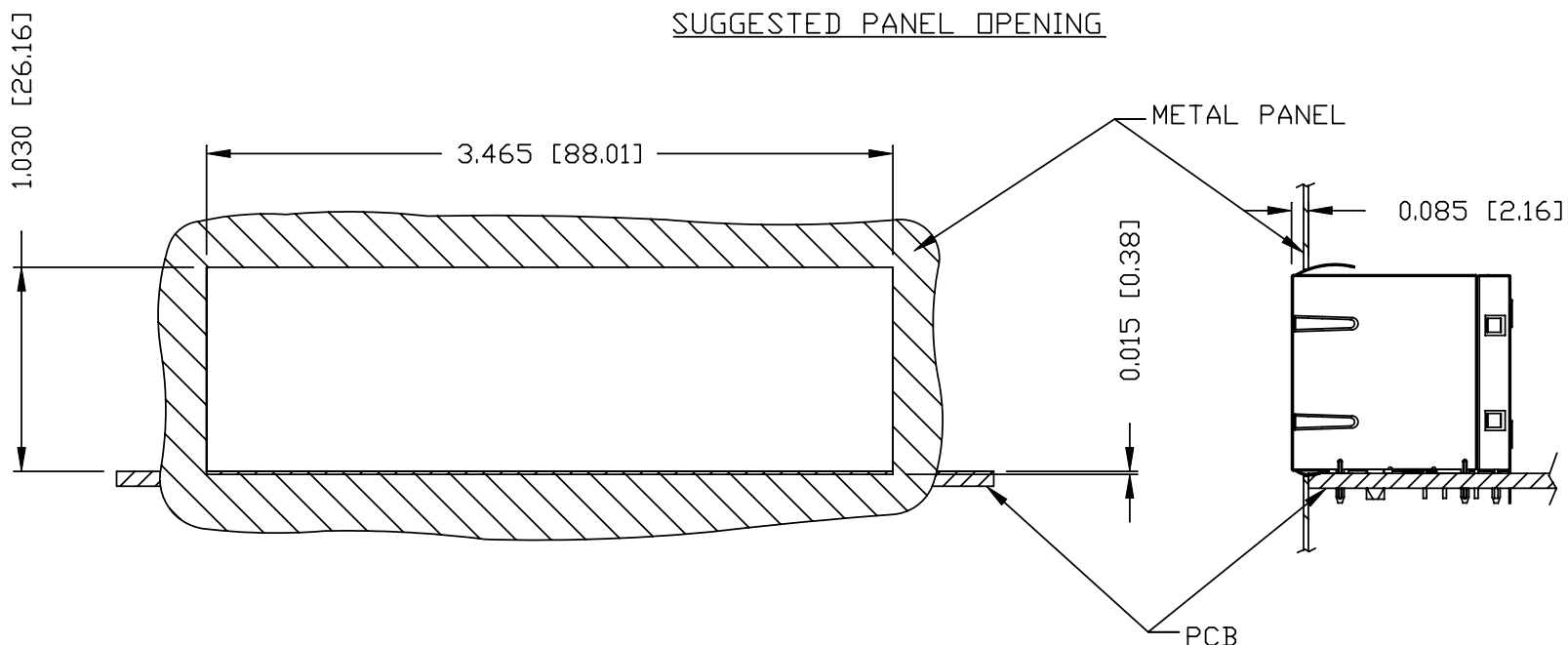
SUGGESTED FOOTPRINT
(COMPONENT SIDE VIEW)

Recommended PCB front edge cutout. The bottom shield ground tabs (front) should not be seated on the top of the PCB.

| | | | | | | | |
|-----------------------------|--------------------|-------------------------------------|--|-------------------------------|------------------------------|---------------------------------------|-----------|
| ORIGINATED BY ANTON LIAO | DATE 2012-07-10 | TITLE 2X6 MagJack® (4 Cores) | PART NO. / DRAWING NO. 08112X6R28-F | STANDARD DIM. TOL. IN INCH | [] METRIC DIM. AS REFERENCE | COMPONENTS FOR A CONNECTED PLANET | |
| DRAWN BY HE ZHEN | DATE 2012-07-10 | TITLE 0811-2X6R-28-F PATENTED | FILE NAME 08112X6R28-F_B.DWG | .X | UNIT : INCH [mm] | | REV. : B |
| | | | | .XX | SCALE : N/A | | SIZE : A4 |
| | | | | .XXX | ±0.004 | | PAGE : 5 |

THE INFORMATION CONTAINED HEREIN IS CONSIDERED "PROPRIETARY" TO BEL FUSE INC. AND SHALL NOT BE COPIED, REPRODUCED OR DISCLOSED WITHOUT THE WRITTEN APPROVAL OF BEL FUSE INC.

RoHS



NOTE:

THE DISTANCE OF PANEL INSIDE SURFACE RELATIVE TO FRONT SURFACE OF PART IS ONLY A SUGGESTION. IN CASE THIS DISTANCE IS DIFFERENT, THE REQUIRED PANEL OPENING DIMENSIONS CHANGE ACCORDINGLY.

PACKING INFORMATION

PACKING TRAY : 0200-9999-A9 (TOP)
0200-9999-A8 (BOTTOM)

PACKING QUANTITY : 15 PCS FINISHED GOODS PER TRAY
7 TRAYS (105 PCS FINISHED GOODS) PER CARTON BOX

NOTE : CARDBOARDS ARE PLACED BETWEEN LAYERS OF PACKING TRAY INSIDE CARTON BOX
(INCLUDE THE UPPERMOST AND LOWERMOST TRAY)

| | | | | | | | |
|----------------------|-------------|----------------------------|-------------------------------|-----------------------------------|-------------------------------------|-----------|--|
| ORIGINATED BY | DATE | TITLE | PART NO. / DRAWING NO. | STANDARD DIM. TOL. IN INCH | [] METRIC DIM. AS REFERENCE | | |
| ANTON LIAO | 2012-07-10 | 2X6 MagJack® (4 Cores) | 08112X6R28-F | .X | UNIT : INCH [mm] | REV. : B | |
| DRAWN BY | DATE | 0811-2X6R-28-F PATENTED | FILE NAME | .XX | SCALE : N/A | SIZE : A4 | |
| HE ZHEN | 2012-07-10 | | 08112X6R28-F_B.DWG | .XXX ±0.004 | | PAGE : 6 | |

X-ON Electronics

Largest Supplier of Electrical and Electronic Components

Click to view similar products for [Modular Connectors / Ethernet Connectors](#) category:

Click to view products by [Bel Fuse](#) manufacturer:

Other Similar products are found below :

[8949-H88/06BLKA/SN](#) [74441-0010/BKN](#) [MP1010RX-1000](#) [MP44RX-1000](#) [PHJ-4P4C-1-V-4](#) [PHP-6P6C-5](#) [GAX-3-66](#) [GAX-8-62](#) [GDCX-PA-66-50](#) [GDCX-PN-64](#) [GDCX-PN-66](#) [GDCX-PN-66-50](#) [GDLX-A-66](#) [GDLX-N-66](#) [GDLX-S-66](#) [GDLX-S-88K](#) [GDLX-SMT-S-88](#) [GDTX-S-88-50](#) [GDX-PA-1010](#) [GLX-N-1010M-BLK](#) [GLX-S-88M-BLK](#) [GMX-N-1010](#) [GMX-S-1010](#) [GMX-S-66](#) [GMX-SMT4-N-88](#) [GPX-2-64](#) [GSGX-N-2-88](#) [GSGX-N-4-88](#) [GSX-NS2-88-3.05](#) [GSX-NS2-88-3.05-50](#) [GSX-NS-88-3.05-50](#) [PT-108A-8C-UL](#) [PT-J951-8C](#) [PTS-J531-8CS-50UL](#) [1-1775629-2](#) [A-2014-0-4](#) [GWLX-S-88-GR](#) [GWLX-S9-88-YG](#) [DC-1021-8-WH-6](#) [1300530003](#) [1324640-4](#) [RJ11FTVC2G](#) [RJ11FTVC2N](#) [RJFTVX2SA1G](#) [132764-001](#) [1413235](#) [MP88X-1000](#) [MPS88RX-5000](#) [E5288-S000K3-L](#) [E5908-15A242-L](#)