

THE INFORMATION CONTAINED HEREIN IS CONSIDERED "PROPRIETARY" TO BEL FUSE INC. AND SHALL NOT BE COPIED, REPRODUCED OR DISCLOSED WITHOUT THE WRITTEN APPROVAL OF BEL FUSE INC.

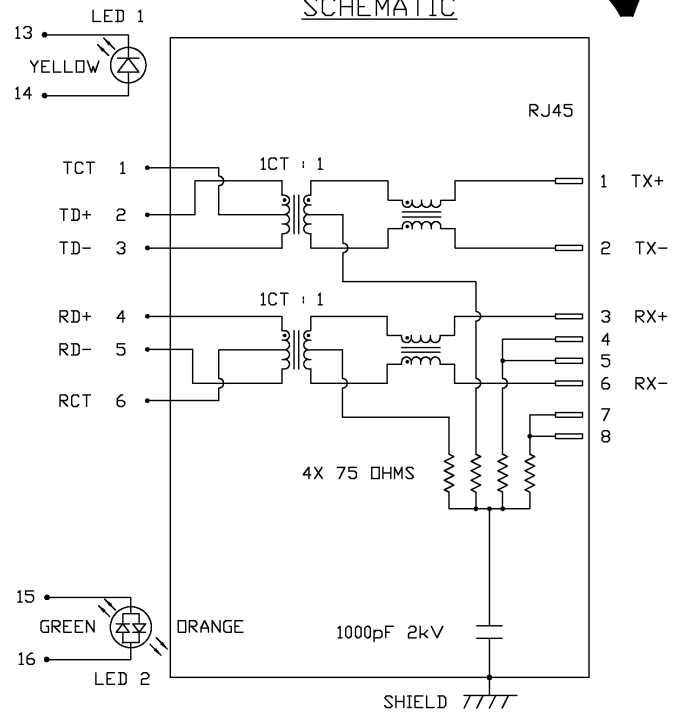
LED1 POLARITY			LED2 POLARITY		
PIN 13	PIN 14	COLOR	PIN 15	PIN 16	COLOR
-	+	YELLOW	+	-	ORANGE
-	+	YELLOW	-	+	GREEN



ELECTRICAL CHARACTERISTICS @ 25°C

<p>URNS RATIO</p> <p>TX 1CT : 1</p> <p>RX 1CT : 1</p> <p>QCL @ 100kHz/100mVRMS 8mA DC BIAS 350µH MIN.</p> <p>INS. LOSS 1MHZ TO 100MHZ -1.0 dB MAX</p> <p>RET. LOSS (MIN) 1MHZ-30MHZ -18 dB 30MHZ-60MHZ -18+20LOG(F/30MHZ) dB 60MHZ-80MHZ -12 dB</p> <p>CROSS TALK (TX - RX) 500kHz-100MHZ -35 dB MIN</p> <p>CM TO CM REJ 100kHz-100MHZ -30 dB MIN</p> <p>CM TO DM REJ 100kHz-100MHZ -40 dB MIN</p> <p>HIPDT (Isolation Voltage): 1500 Vrms or 2250 VDC</p> <p>OPERATING TEMPERATURE: -40°C TO 85°C</p> <p>LED 1 VF (FORWARD VOLTAGE) IF=20mA YELLOW 2.1V TYP. λD (DOMINANT WAVELENGTH) IF=20mA YELLOW 590nm TYP.</p> <p>LED 2 VF (FORWARD VOLTAGE) IF=20mA GREEN 2.2V TYP. ORANGE 2.0V TYP. λD (DOMINANT WAVELENGTH) IF=20mA GREEN 565nm TYP. ORANGE 610nm TYP.</p>	
--	--

SCHEMATIC



USB ELECTRICAL:

INSULATION RESISTANCE:	1000 MEGAΩ (MIN)
CONTACT RESISTANCE:	25 MILLI Ω (MAX)
DIELECTRIC WITHSTANDING:	750 VAC

ORIGINATED BY	DATE	TITLE	PART NO. / DRAWING NO.	STANDARD DIM. TOL. IN INCH	[] METRIC DIM. AS REFERENCE
CHUNG	06-05-05	MagJack® Combo	08211X1T36-F	.X	UNIT : INCH [mm] REV. : A
DRAWN BY	DATE	(single USB, Ext. Temp. MDIX)	FILE NAME	.XX	SCALE : N/A SIZE : A4
DE	06-05-05	0821-1X1T-36-F	08211X1T36-FA.DWG	.XXX	PAGE : 2

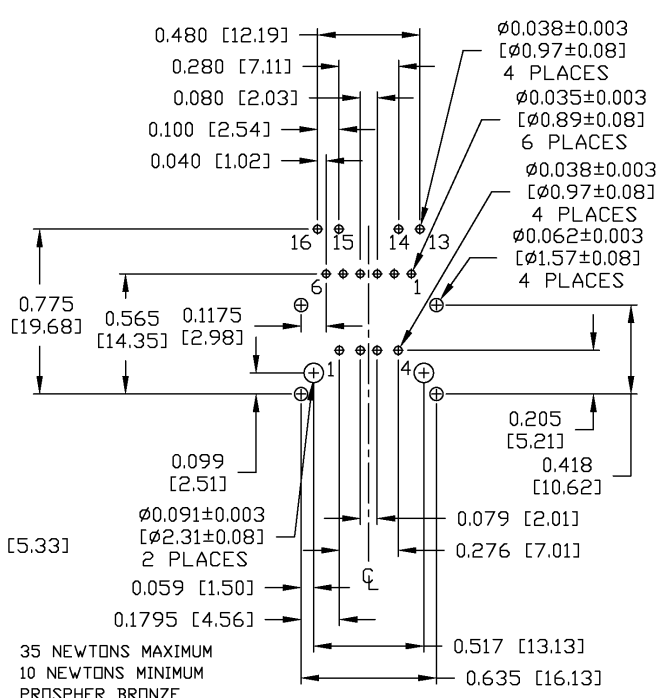
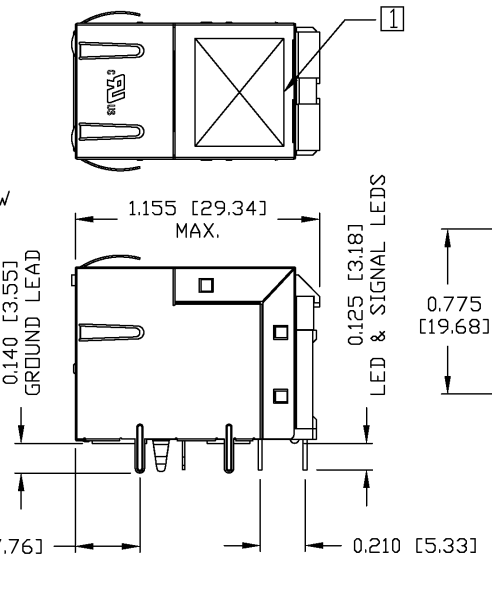
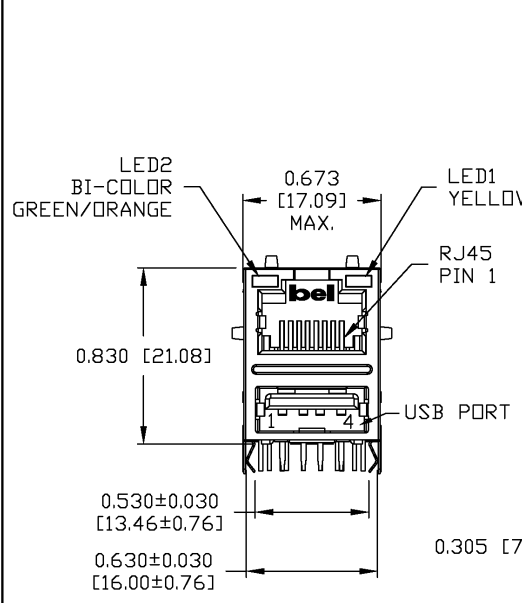


THE INFORMATION CONTAINED HEREIN IS CONSIDERED "PROPRIETARY" TO BEL FUSE INC. AND SHALL NOT BE COPIED, REPRODUCED OR DISCLOSED WITHOUT THE WRITTEN APPROVAL OF BEL FUSE INC.



MECHANICAL SPECIFICATION

**RECOMMENDED PCB FOOTPRINT
COMPONENT SIDE VIEW**



RJ45 MECHANICAL:

PLASTIC HOUSING: THERMOPLASTIC PBT
 FLAMMABILITY RATING UL 94V-0
 CONTACT PLATING: 30 MICRO-INCH HARD GOLD PLATING
 PINS: TIN-COATED COPPER WIRE, DIA 0.018 INCH.
 METAL SHIELD: TIN OR NICKEL PLATED ON COPPER ALLOY.
 (ALL NICKEL PLATED GROUND LEADS ARE SOLDER DIPPED)
 RoHS COMPLIANCE, PER EU DIRECTIVE 2002/95/EC.

USB MECHANICAL:

MATING FORCE: 35 NEWTONS MAXIMUM
 UNMATING FORCE: 10 NEWTONS MINIMUM
 CONTACT: PROSPHER BRONZE
 30 MICRO-INCH MIN GOLD PLATING ON CONTACT AREA AND LEAD-FREE TIN ON SOLDER TAIL.
 MARK PART WITH MFG. LOGO, MFG. NAME, PART NUMBER, AND DATE CODE.

UL RECOGNIZED - FILE #E196366 AND E169987.

ORIGINATED BY BILL/KEUNG	DATE 06-05-05	TITLE MagJack® Combo (single USB, Ext. Temp. MDIX)	PART NO. / DRAWING NO. 08211X1T36-F	STANDARD DIM. TOL. IN INCH	<input type="checkbox"/> METRIC DIM. AS REFERENCE
DRAWN BY QIN	DATE 06-05-05		FILE NAME 08211X1T36-FA.DWG	.X .XX .XXX ±0.010	UNIT : INCH [mm] SCALE : N/A PAGE : 3
					bel COMPONENTS-AS-A-CONNECTED-PLANET

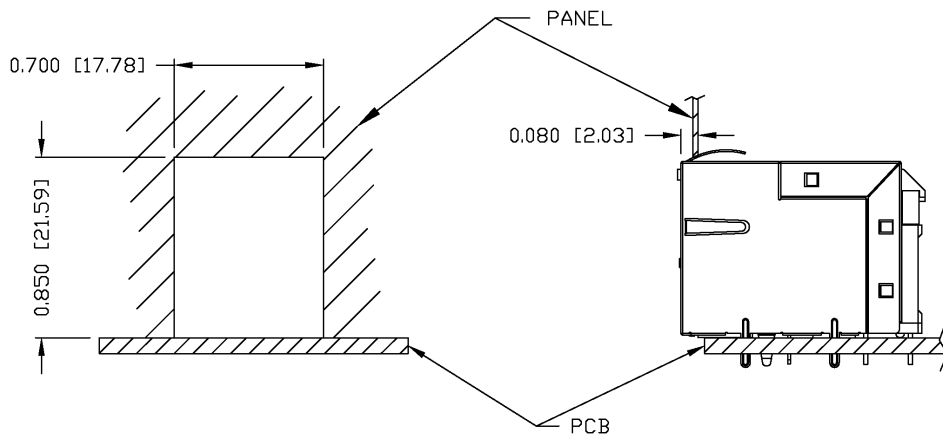
DC02(2)032305

This document is electronically generated. This is a controlled copy if used internally

THE INFORMATION CONTAINED HEREIN IS CONSIDERED "PROPRIETARY" TO BEL FUSE INC. AND SHALL NOT BE COPIED, REPRODUCED OR DISCLOSED WITHOUT THE WRITTEN APPROVAL OF BEL FUSE INC.



SUGGESTED PANEL OPENING



NOTES:

THE DISTANCE OF PANEL INSIDE SURFACE RELATIVE TO FRONT SURFACE OF PART IS ONLY A SUGGESTION. IN CASE THIS DISTANCE IS DIFFERENT, THE REQUIRED PANEL OPENING DIMENSIONS CHANGE ACCORDINGLY.

PACKING INFORMATION

PACKING TRAY : 0200-0148-48 (TOP)

0200-0148-49 (BOTTOM)

PACKING QUANTITY : 60 PCS FINISHED GOODS PER TRAY

8 TRAYS (480 PCS FINISHED GOODS) PER CARTON BOX

NOTE : CARDBOARDS ARE PLACED BETWEEN LAYERS OF PACKING TRAY INSIDE CARTON BOX (INCLUDE THE UPPERMOST AND LOWERMOST TRAY)

ORIGINATED BY BILL/KEUNG	DATE 06-05-05	TITLE MagJack® Combo (single USB, Ext. Temp. MDIX)	PART NO. / DRAWING NO. 08211X1T36-F	STANDARD DIM.		[] METRIC DIM. AS REFERENCE	
				TOL. IN INCH		UNIT : INCH [mm]	REV. : A
DRAWN BY GIN	DATE 06-05-05	FILE NAME 08211X1T-36-F	FILE NAME 08211X1T36-FA.DWG	.X	/	SCALE : N/A	
				.XX		SIZE : A4	
				.XXX		±0.005	PAGE : 4



X-ON Electronics

Largest Supplier of Electrical and Electronic Components

Click to view similar products for [Modular Connectors / Ethernet Connectors](#) category:

Click to view products by [Bel Fuse](#) manufacturer:

Other Similar products are found below :

[8949-H88/06BLKA/SN](#) [74441-0010/BKN](#) [MP1010RX-1000](#) [MP44RX-1000](#) [PHJ-4P4C-1-V-4](#) [PHP-6P6C-5](#) [GAX-3-66](#) [GAX-8-62](#) [GDCX-PA-66-50](#) [GDCX-PN-64](#) [GDCX-PN-66](#) [GDCX-PN-66-50](#) [GDLX-A-66](#) [GDLX-N-66](#) [GDLX-S-66](#) [GDLX-S-88K](#) [GDLX-SMT-S-88](#) [GDTX-S-88-50](#) [GDX-PA-1010](#) [GLX-N-1010M-BLK](#) [GLX-S-88M-BLK](#) [GMX-N-1010](#) [GMX-S-1010](#) [GMX-S-66](#) [GMX-SMT4-N-88](#) [GPX-2-64](#) [GSGX-N-2-88](#) [GSGX-N-4-88](#) [GSX-NS2-88-3.05](#) [GSX-NS2-88-3.05-50](#) [GSX-NS-88-3.05-50](#) [PT-108A-8C-UL](#) [PT-J951-8C](#) [PTS-J531-8CS-50UL](#) [1-1775629-2](#) [A-2014-0-4](#) [GWLX-S-88-GR](#) [GWLX-S9-88-YG](#) [DC-1021-8-WH-6](#) [1300530003](#) [1324640-4](#) [RJ11FTVC2G](#) [RJ11FTVC2N](#) [RJFTVX2SA1G](#) [132764-001](#) [1413235](#) [MP88X-1000](#) [MPS88RX-5000](#) [E5288-S000K3-L](#) [E5908-15A242-L](#)