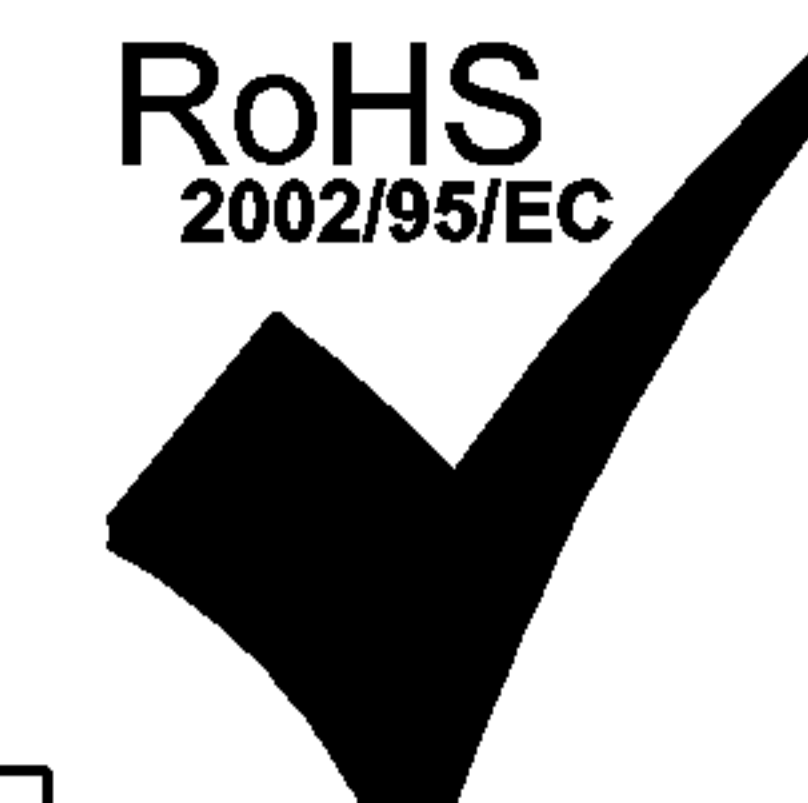


THE INFORMATION CONTAINED HEREIN IS CONSIDERED "PROPRIETARY" TO BEL FUSE INC. AND SHALL NOT BE COPIED, REPRODUCED OR DISCLOSED WITHOUT THE WRITTEN APPROVAL OF BEL FUSE INC.

RoHS
2002/95/EC



| LED1 POLARITY | | | LED2 POLARITY | | |
|---------------|--------|-------|---------------|--------|--------|
| PIN 13 | PIN 14 | COLOR | PIN 15 | PIN 16 | COLOR |
| - | + | GREEN | + | - | ORANGE |
| / | / | / | - | + | GREEN |

ELECTRICAL CHARACTERISTICS @ 25°C

URNS RATIO

| | |
|-----|---------------|
| TP1 | 1CT : 1CT ±2% |
| TP2 | 1CT : 1CT ±2% |
| TP3 | 1CT : 1CT ±2% |
| TP4 | 1CT : 1CT ±2% |

OCL @ 100kHz/100mVRMS

8mA DC BIAS 350µH MIN.

INS. LOSS

| | |
|------------------|-------------|
| 0.1MHz TO 1MHz | -1.1 dB MAX |
| 1MHz TO 65MHz | -0.5 dB MAX |
| 65MHz TO 100MHz | -0.8 dB MAX |
| 100MHz TO 125MHz | -1.2 dB MAX |

RET. LOSS (MIN)

| | |
|--------------|-----------------------|
| 0.5MHz-40MHz | -18 dB |
| 40MHz-100MHz | -12+20LOG(f/80MHz) dB |

CM TO CM REJ

100kHz - 100MHz -30 dB MIN

CM TO DM REJ

100kHz - 100MHz -35 dB MIN

HIPOT (Isolation Voltage):

1500 Vrms or 2250VDC

LED 1

VF (FORWARD VOLTAGE) IF=20mA GREEN 2.2V TYP.

λ D (DOMINANT WAVELENGTH) IF=20mA GREEN 565nm TYP.

LED 2

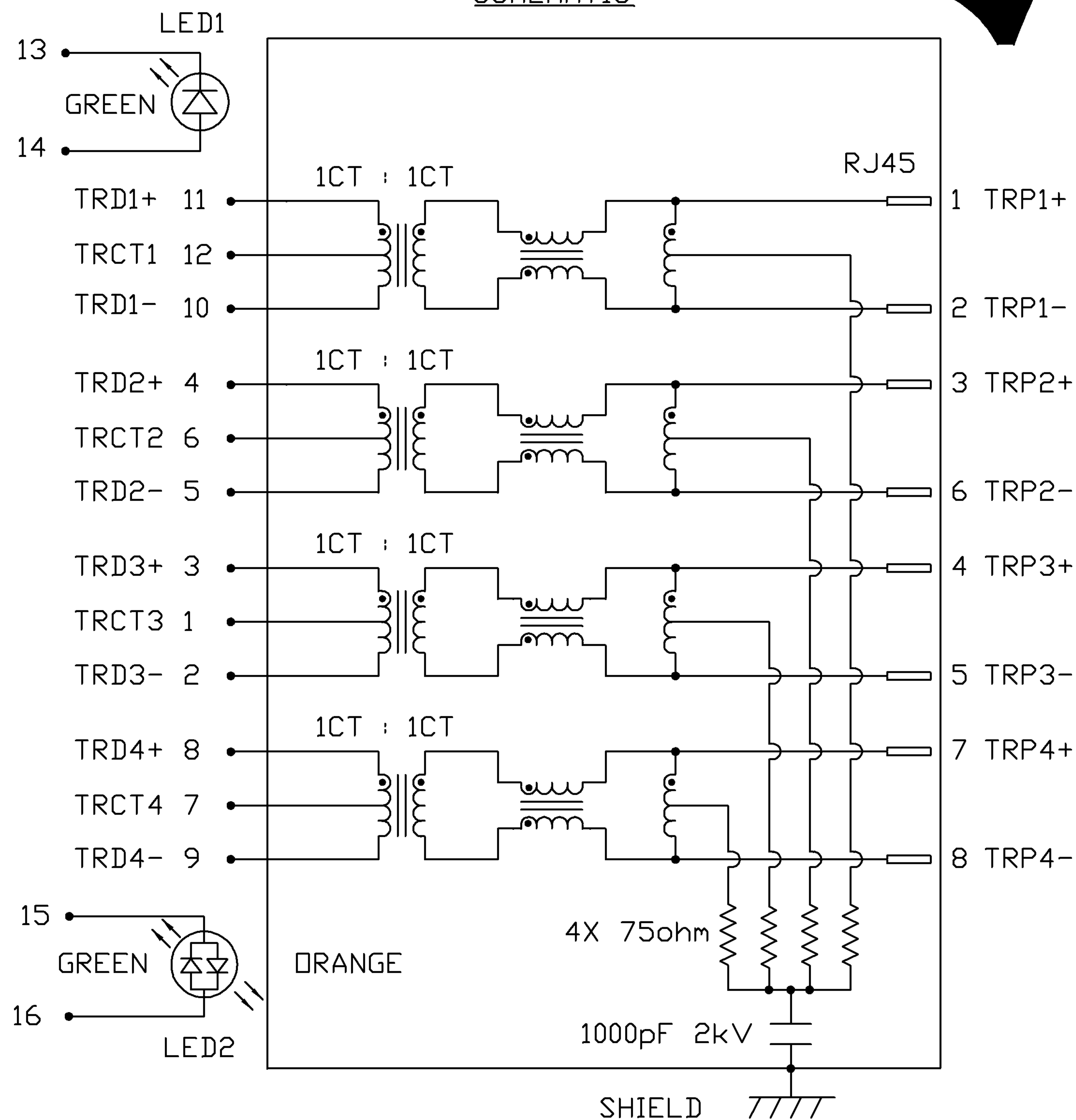
VF (FORWARD VOLTAGE) IF=20mA GREEN 2.2V TYP.

λ D (DOMINANT WAVELENGTH) IF=20mA ORANGE 2.0V TYP.

λ D (DOMINANT WAVELENGTH) IF=20mA GREEN 565nm TYP.

λ D (DOMINANT WAVELENGTH) IF=20mA ORANGE 610nm TYP.

SCHEMATIC



| | |
|----------------------|-------------|
| ORIGINATED BY | DATE |
| CHOW WANCHUNG | 06-19-08 |
| DRAWN BY | DATE |
| LEE WEIDE | 06-19-08 |

| |
|--|
| TITLE |
| gigabit MagJack® (12 cores, Tab Up) |
| 0826-1E1T-23-F |

| |
|-------------------------------|
| PART NO. / DRAWING NO. |
| 08261E1T23-F |
| FILE NAME |
| 08261E1T23-F_B.DWG |

| | |
|-----------------------------------|-------------------------------------|
| STANDARD DIM. TOL. IN INCH | [] METRIC DIM. AS REFERENCE |
| .X | UNIT : INCH [mm] |
| .XX | SCALE : N/A |
| .XXX | REV. : B |
| | SIZE : A4 |
| | PAGE : 2 |



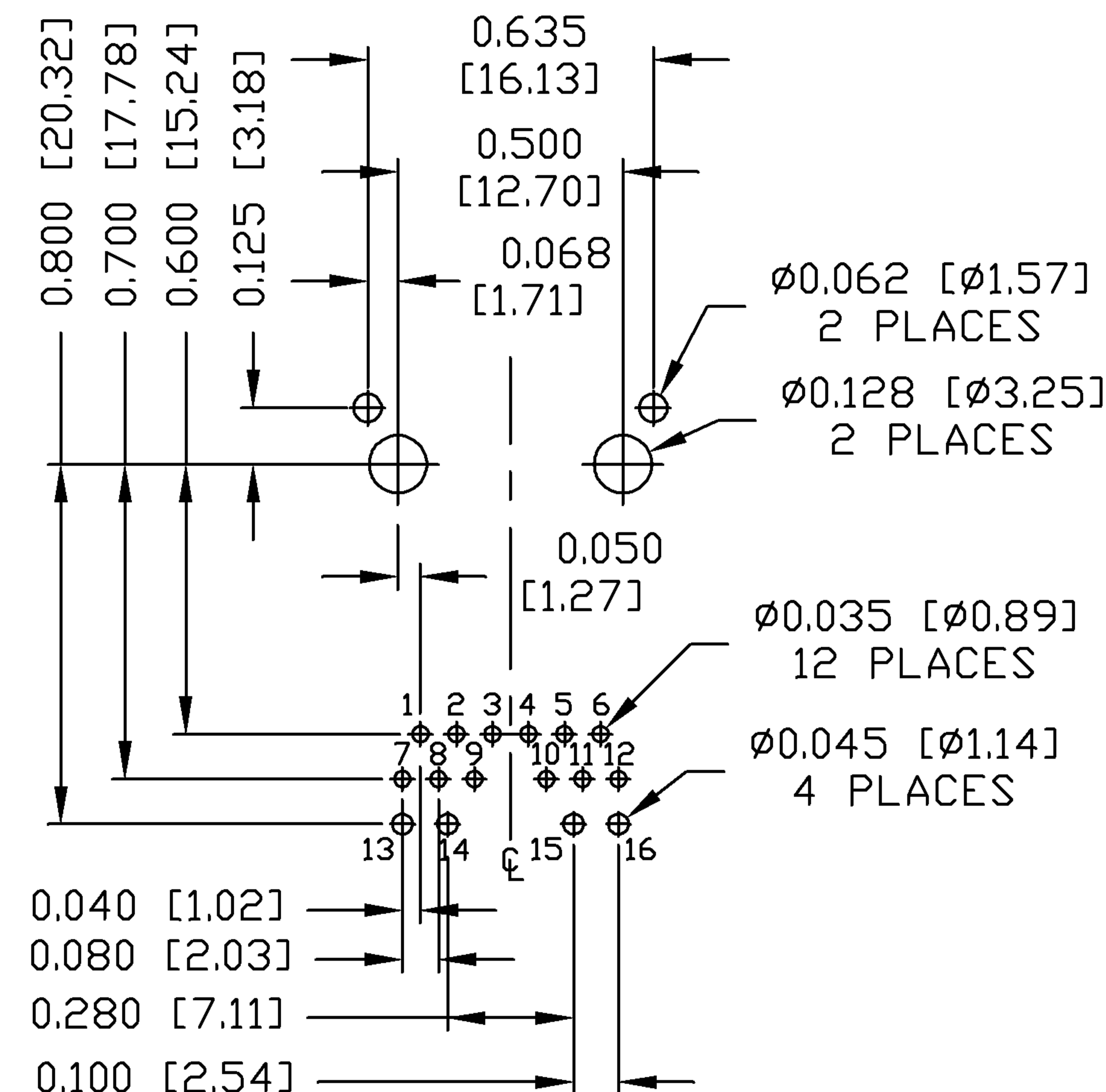
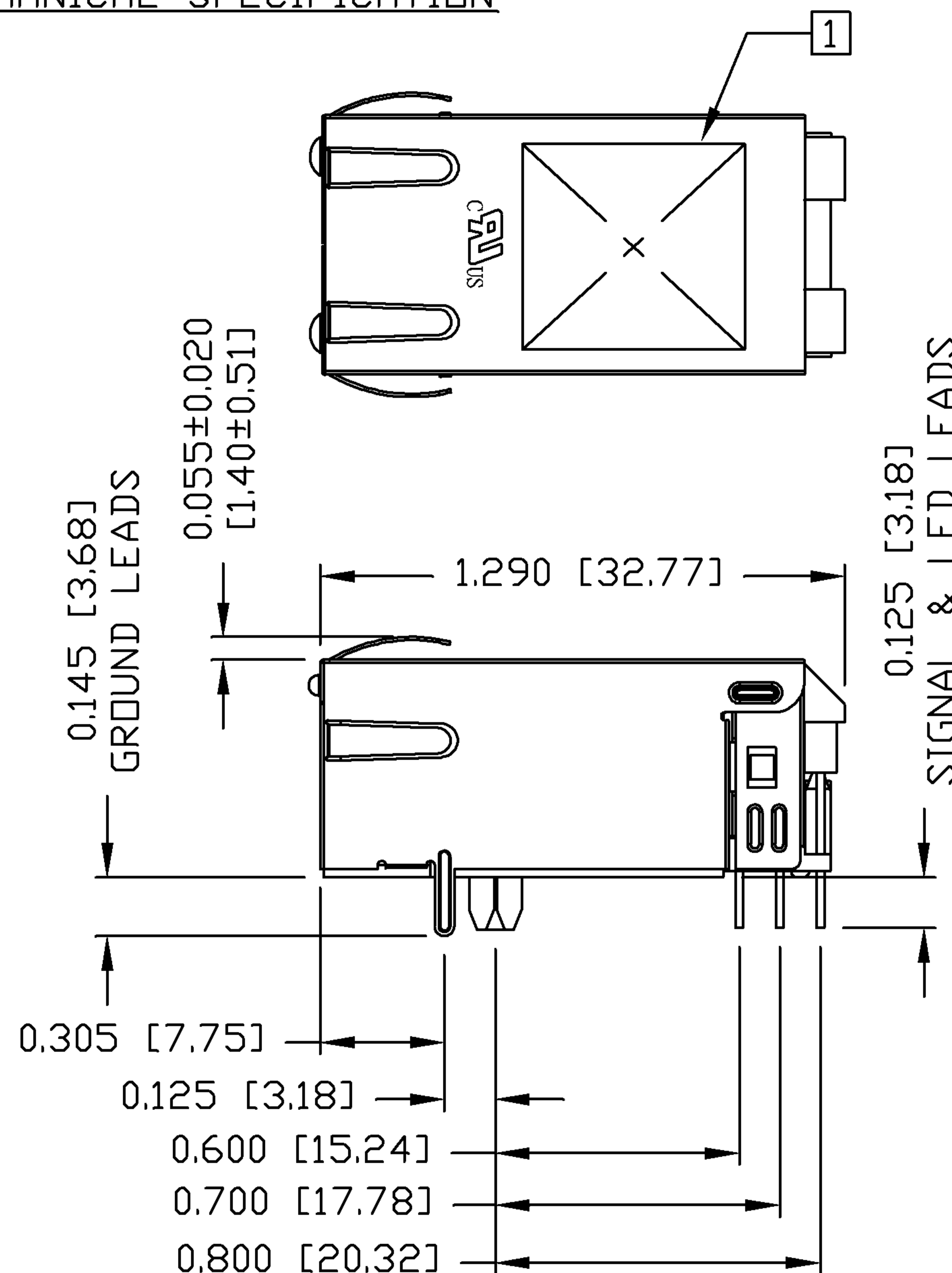
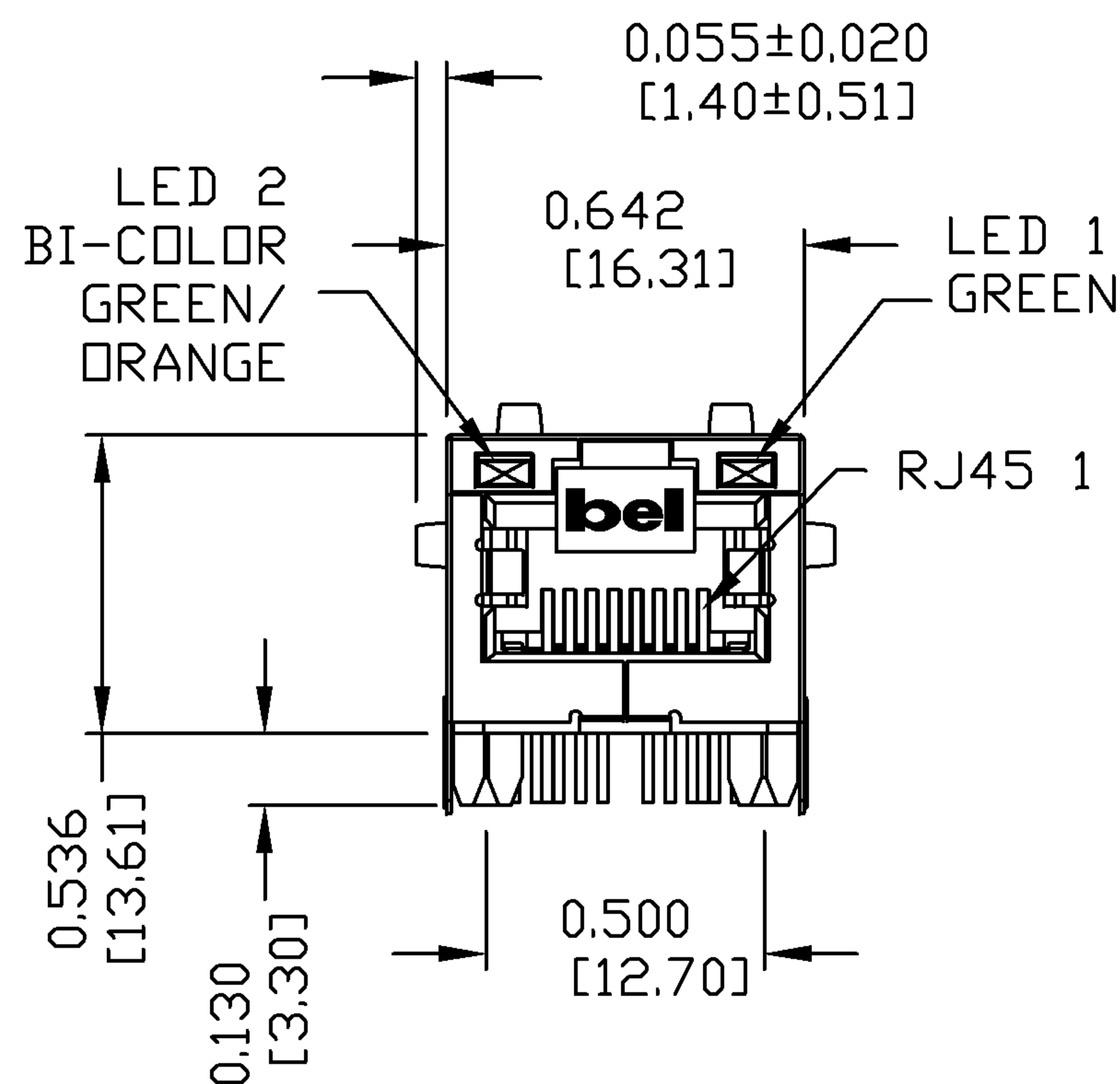
THE INFORMATION CONTAINED HEREIN IS CONSIDERED "PROPRIETARY" TO BEL FUSE INC. AND SHALL NOT BE COPIED, REPRODUCED OR DISCLOSED WITHOUT THE WRITTEN APPROVAL OF BEL FUSE INC.

RoHS
2002/95/EC



MECHANICAL SPECIFICATION

RECOMMENDED PCB FOOTPRINT
COMPONENT SIDE VIEW



NOTES:

PLASTIC HOUSING: THERMOPLASTIC PA.
FLAMMABILITY RATING UL 94V-0
CONTACTS: 50 MICRO-INCH HARD GOLD PLATING
OUTPUT PINS: TIN-COATED COPPER WIRE, DIA 0.018 INCH.
METAL SHIELD: NICKEL PLATED ON COPPER ALLOY.
(ALL GROUND LEADS ARE SOLDER DIPPED)

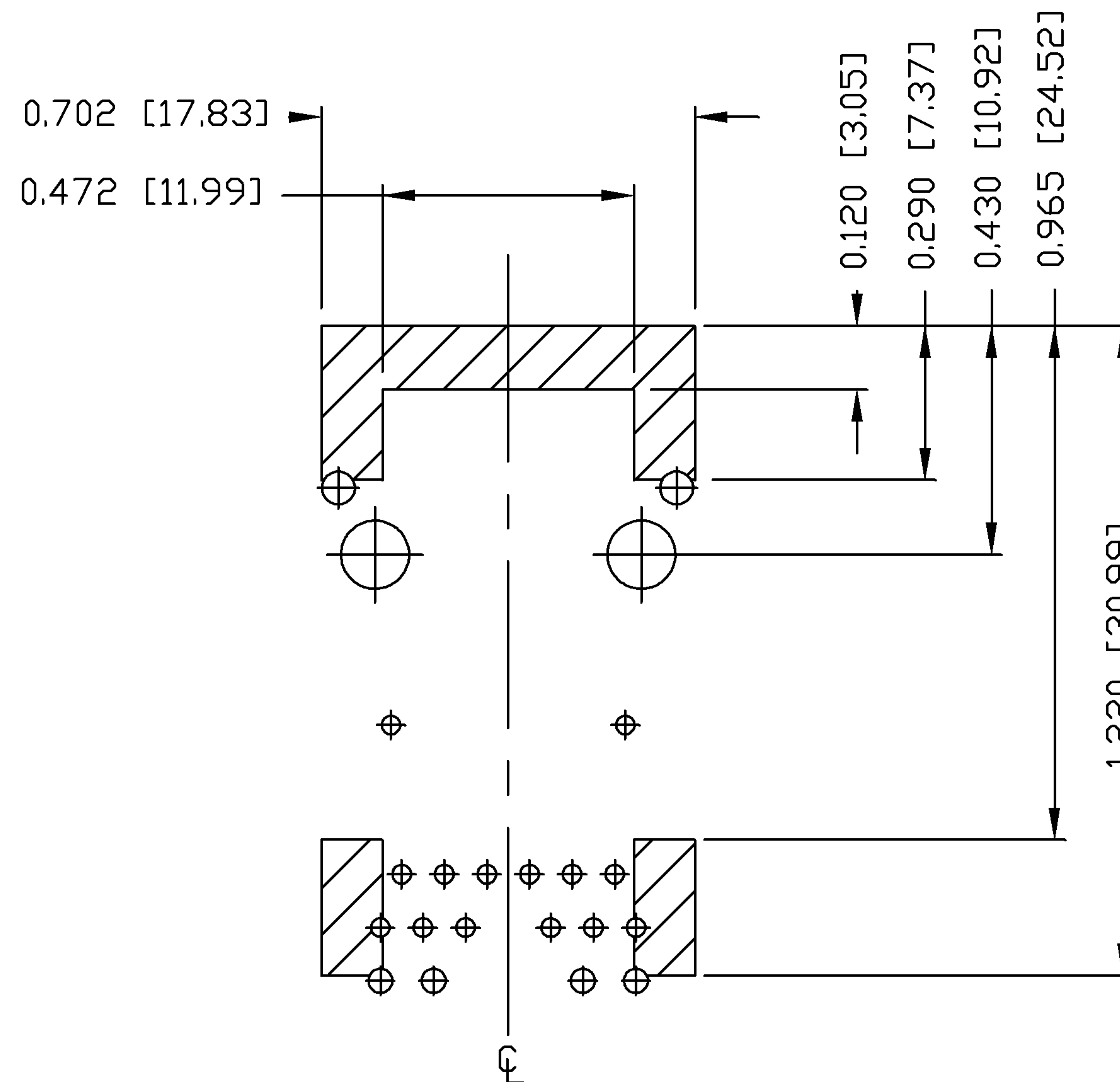
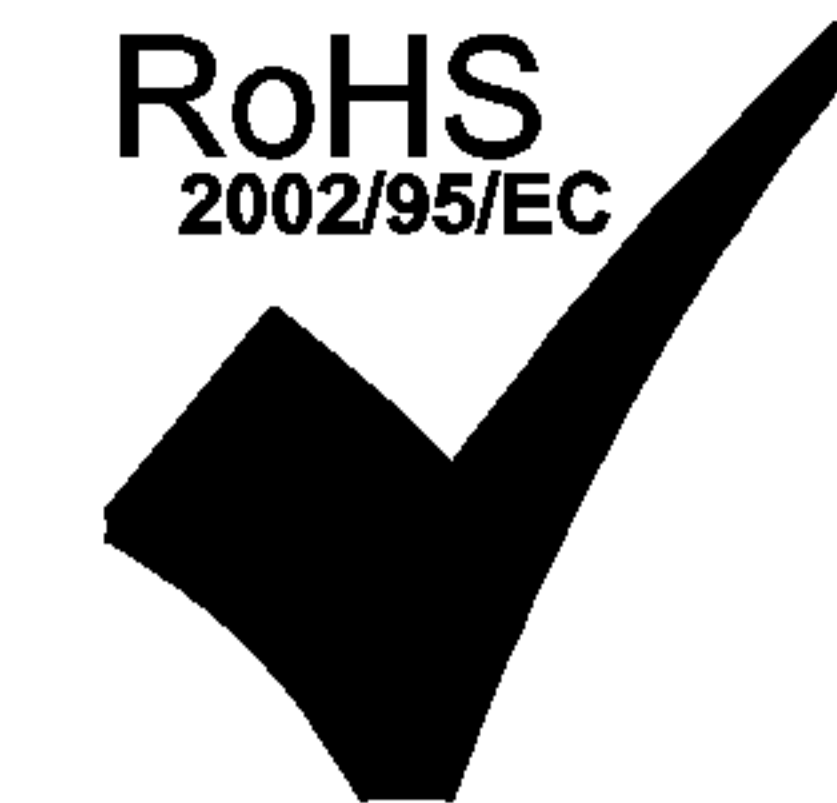
1. MARK PART WITH MFG LOGO, MFG NAME, PART NUMBER, AND DATE CODE.

UL US UL RECOGNIZED - FILE #E196366 AND E169987.
RoHS COMPLIANCE, PER EU DIRECTIVE 2002/95/EC.
JACK CAVITY CONFORMS TO FCC RULES AND REGULATIONS.

| | | | | | | |
|---------------------------|------------------|---|--|-------------------------------|------------------------------|---------------------------------------|
| ORIGINATED BY ZX HUANG | DATE 06-19-08 | TITLE gigabit MagJack® (12 cores, Tab Up) | PART NO. / DRAWING NO. 08261E1T23-F | STANDARD DIM. TOL. IN INCH | [] METRIC DIM. AS REFERENCE | COMPONENTS FOR A CONNECTED PLANET |
| DRAWN BY JOLLY LUO | DATE 06-19-08 | FILE NAME 08261E1T23-F_B.DWG | .X | UNIT : INCH [mm] | REV. : B | |
| | | | .XX | SCALE : N/A | SIZE : A4 | |
| | | | .XXX ±0.010 | | PAGE : 3 | |

THE INFORMATION CONTAINED HEREIN IS CONSIDERED "PROPRIETARY" TO BEL FUSE INC. AND SHALL NOT BE COPIED, REPRODUCED OR DISCLOSED WITHOUT THE WRITTEN APPROVAL OF BEL FUSE INC.

RoHS
2002/95/EC



NOTES

THE SHADED AREA ON THE CUSTOMER BOARD ARE RECOMMENDED TO BE CLEAR OFF ANY VIA HOLE OR COMPONENT PAD.

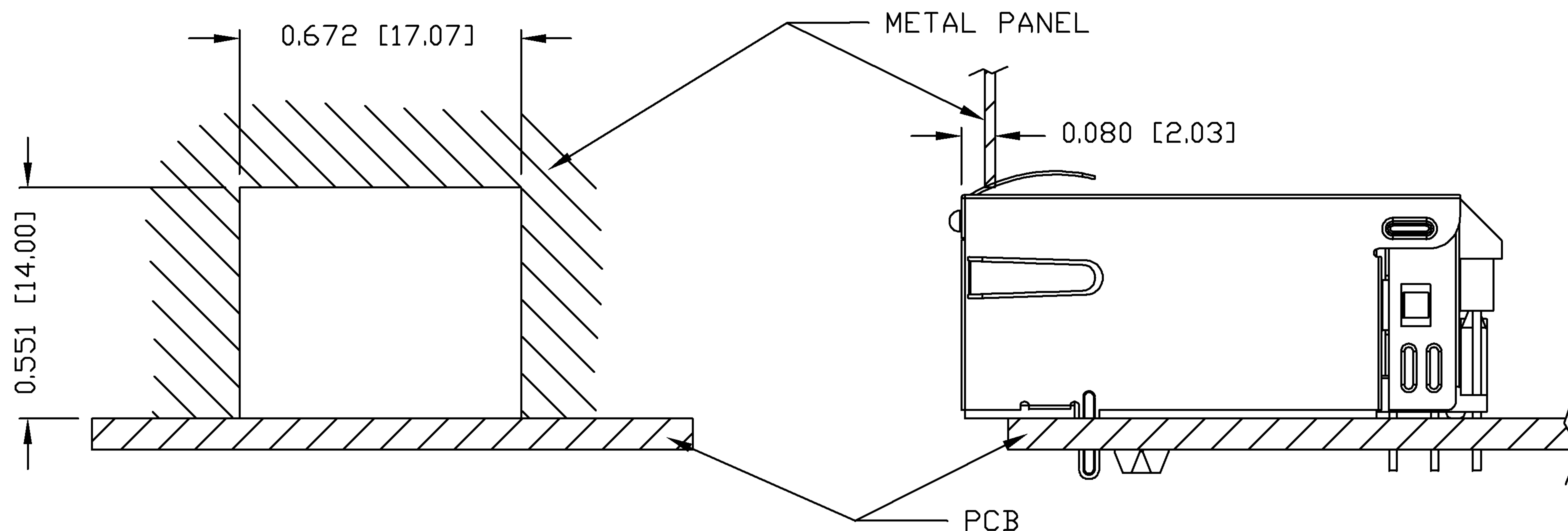
| | | | | | | |
|---------------------------|------------------|---|--|-------------------------------|------------------------------|---|
| ORIGINATED BY ZX HUANG | DATE 06-19-08 | TITLE gigabit MagJack® (12 cores, Tab Up) 0826-1E1T-23-F | PART NO. / DRAWING NO. 08261E1T23-F | STANDARD DIM. TOL. IN INCH | [] METRIC DIM. AS REFERENCE | COMPONENTS FOR A CONNECTED PLANET |
| DRAWN BY JOLLY LUO | DATE 06-19-08 | | FILE NAME 08261E1T23-F_B.DWG | .X | UNIT : INCH [mm] | |
| | | | .XX | SCALE : N/A | SIZE : A4 | |
| | | | .XXX | ±0.004 | PAGE : 4 | |

THE INFORMATION CONTAINED HEREIN IS CONSIDERED "PROPRIETARY" TO BEL FUSE INC. AND SHALL NOT BE COPIED, REPRODUCED OR DISCLOSED WITHOUT THE WRITTEN APPROVAL OF BEL FUSE INC.

RoHS
2002/95/EC



SUGGESTED PANEL OPENING



NOTE:

THE DISTANCE OF PANEL INSIDE SURFACE RELATIVE TO FRONT SURFACE OF PART IS ONLY A SUGGESTION. IN CASE THIS DISTANCE IS DIFFERENT, THE REQUIRED PANEL OPENING DIMENSIONS CHANGE ACCORDINGLY.

PACKING INFORMATION

PACKING TRAY : 0200-9999-F6 (TOP)
0200-9999-F7 (BOTTOM)

PACKING QUANTITY : 40 PCS FINISHED GOODS PER TRAY
10 TRAYS (400 PCS FINISHED GOODS) PER CARTON BOX

NOTE : CARDBOARDS ARE PLACED BETWEEN LAYERS OF PACKING TRAY INSIDE CARTON BOX
(INCLUDE THE UPPERMOST AND LOWERMOST TRAY)

| | | | | | | | |
|---------------------------|------------------|---|--|-------------------------------|------------------------------|------------------|---|
| ORIGINATED BY ZX HUANG | DATE 06-19-08 | TITLE gigabit MagJack® (12 cores, Tab Up) 0826-1E1T-23-F | PART NO. / DRAWING NO. 08261E1T23-F | STANDARD DIM. TOL. IN INCH | [] METRIC DIM. AS REFERENCE | | COMPONENTS FOR A CONNECTED PLANET |
| DRAWN BY JOLLY LUO | DATE 06-19-08 | | FILE NAME 08261E1T23-F_B.DWG | .X | ±0.004 | UNIT : INCH [mm] | |
| | | | .XX | SCALE : N/A | | SIZE : A4 | |
| | | | .XXX | | | PAGE : 5 | |

X-ON Electronics

Largest Supplier of Electrical and Electronic Components

Click to view similar products for [Modular Connectors / Ethernet Connectors](#) category:

Click to view products by [Bel Fuse](#) manufacturer:

Other Similar products are found below :

[8949-H88/06BLKA/SN](#) [74441-0010/BKN](#) [MP1010RX-1000](#) [MP44RX-1000](#) [PHJ-4P4C-1-V-4](#) [PHP-6P6C-5](#) [GAX-3-66](#) [GAX-8-62](#) [GDCX-PA-66-50](#) [GDCX-PN-64](#) [GDCX-PN-66](#) [GDCX-PN-66-50](#) [GDLX-A-66](#) [GDLX-N-66](#) [GDLX-S-66](#) [GDLX-S-88K](#) [GDLX-SMT-S-88](#) [GDTX-S-88-50](#) [GDX-PA-1010](#) [GLX-N-1010M-BLK](#) [GLX-S-88M-BLK](#) [GMX-N-1010](#) [GMX-S-1010](#) [GMX-S-66](#) [GMX-SMT4-N-88](#) [GPX-2-64](#) [GSGX-N-2-88](#) [GSGX-N-4-88](#) [GSX-NS2-88-3.05](#) [GSX-NS2-88-3.05-50](#) [GSX-NS-88-3.05-50](#) [PT-108A-8C-UL](#) [PT-J951-8C](#) [PTS-J531-8CS-50UL](#) [1-1775629-2](#) [A-2014-0-4](#) [GWLX-S-88-GR](#) [GWLX-S9-88-YG](#) [DC-1021-8-WH-6](#) [1300530003](#) [1324640-4](#) [RJ11FTVC2G](#) [RJ11FTVC2N](#) [RJFTVX2SA1G](#) [132764-001](#) [1413235](#) [MP88X-1000](#) [MPS88RX-5000](#) [E5288-S000K3-L](#) [E5908-15A242-L](#)