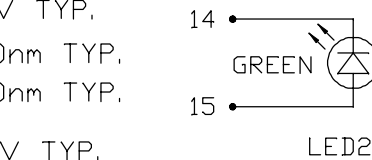
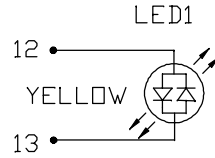


THE INFORMATION CONTAINED HEREIN IS CONSIDERED 'PROPRIETARY' TO BEL FUSE INC. AND SHALL NOT BE COPIED, REPRODUCED OR DISCLOSED WITHOUT THE WRITTEN APPROVAL OF BEL FUSE INC.

RoHS

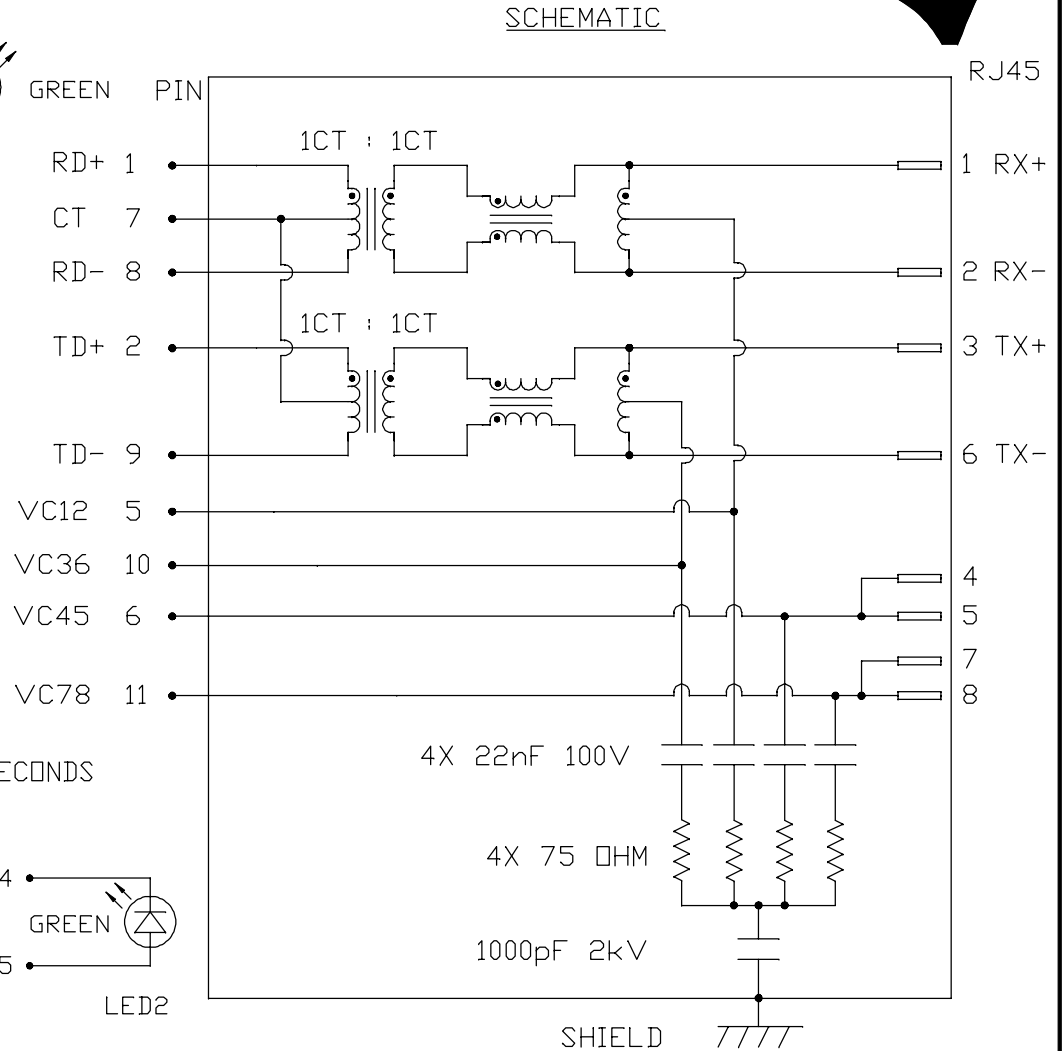


LED1 POLARITY			LED2 POLARITY		
PIN 12	PIN 13	COLOR	PIN 14	PIN 15	COLOR
-	+	GREEN	-	+	GREEN
+	-	YELLOW			



**ELECTRICAL CHARACTERISTICS @ 25°C**

URNS RATIO	1CT : 1CT ±2%
OCL @ 100kHz/100mVRMS	
8mA DC BIAS	350µH MIN.
INSERTION LOSS	
100KHz TO 100MHz	-1.5 dB MAX.
RETURN LOSS (MIN.)	
2MHz-30MHz	-16 dB MIN.
60MHz-80MHz	-10 dB MIN.
CROSS TALK	
100KHz - 100MHz	-30 dB MIN.
HIPOT (ISOLATION VOLTAGE)	2250 VDC
100% OF PRODUCTION TESTED TO COMPLY WITH IEEE 802.3 ISOLATION REQUIREMENTS	
BALANCED DC LINE CURRENT	350mA MAX. @ 57 VDC CONTINUOUS
	500mA MAX. @ 57 VDC FOR 200 MILLSECONDS
LED 1	
VF (FORWARD VOLTAGE)	IF=20mA GREEN 2.2V TYP.
	IF=20mA YELLOW 2.1V TYP.
λ (DOMINANT WAVELENGTH)	IF=20mA GREEN 570nm TYP.
	IF=20mA YELLOW 590nm TYP.
LED 2	
VF (FORWARD VOLTAGE)	IF=20mA GREEN 2.2V TYP.
λ (DOMINANT WAVELENGTH)	IF=20mA GREEN 570nm TYP.
OPERATING TEMPERATURE: 0°C TO +70°C.	



ORIGINATED BY  
CHOW WANCHUNG  
DATE 2016-08-11  
DRAWN BY  
SKY YOU  
DATE 2016-08-11

TITLE  
10/100 MagJack®  
PoE  
0826-1L1T-57-F

PART NO. / DRAWING NO.  
08261L1T57-F  
FILE NAME  
08261L1T57-F\_F.DWG

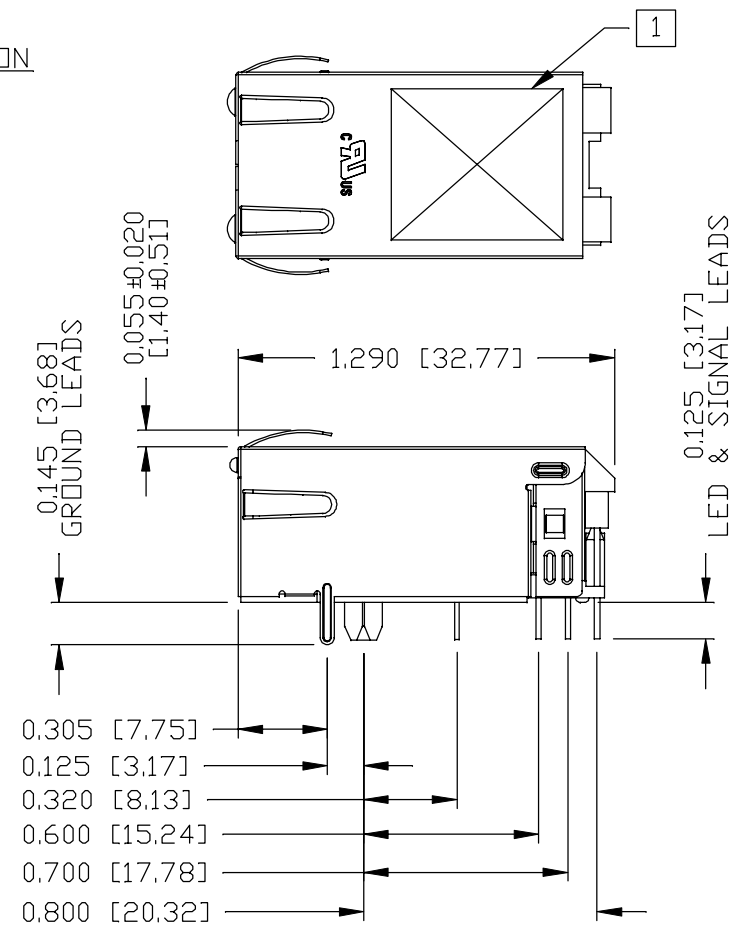
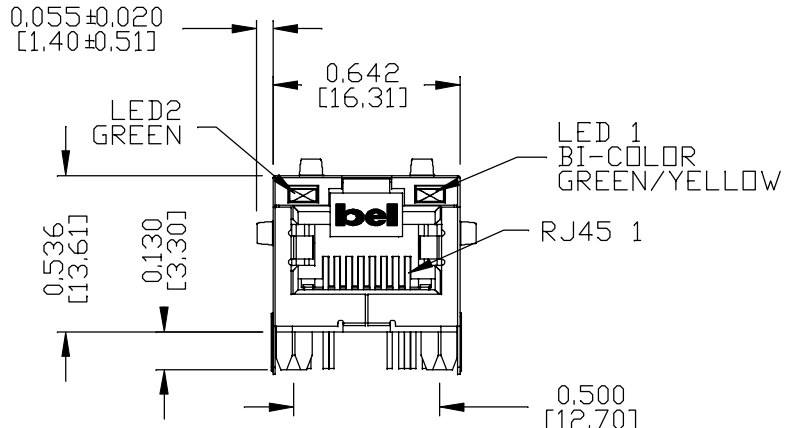
STANDARD DIM. [ ] METRIC DIM.  
TOL. IN INCH AS REF.  
.x UNIT : INCH [mm]  
.XX SCALE : N/A  
.XXX SIZE : A4

REV. : F PAGE : 2



THE INFORMATION CONTAINED HEREIN IS CONSIDERED "PROPRIETARY" TO BEL FUSE INC. AND SHALL NOT BE COPIED, REPRODUCED OR DISCLOSED WITHOUT THE WRITTEN APPROVAL OF BEL FUSE INC.

MECHANICAL SPECIFICATION



NOTES:

- PLASTIC HOUSING: THERMOPLASTIC PA, BLACK  
FLAMMABILITY RATING UL 94V-0
- CONTACTS: 50 MICRO-INCH HARD GOLD PLATING OR EQUIVALENT,  
30 MICRO-INCH MIN NICKEL UNDERPLATE.
- OUTPUT PINS: TIN-COATED COPPER WIRE, DIA 0.018 INCH,  
100 MICRO-INCH MIN MATTE TIN, PINS ARE SOLDER DIPPED.
- METAL SHIELD: NICKEL PLATED ON COPPER ALLOY.  
(ALL GROUND LEADS ARE SOLDER DIPPED)

1. MARK PART WITH MFG LOGO, MFG NAME, PART NUMBER, AND DATE CODE.

- UL RECOGNIZED - FILE #E196366 AND E169987.
- THE PRODUCT IS RoHS COMPLIANT.
- JACK CAVITY CONFORMS TO FCC RULES AND REGULATIONS.
- THE PART IS RECOMMENDED FOR WAVE SOLDERING. THE SUGGESTED PEAK WAVE SOLDERING CONDITION IS 260°C MAX AND 10 SECONDS MAX.

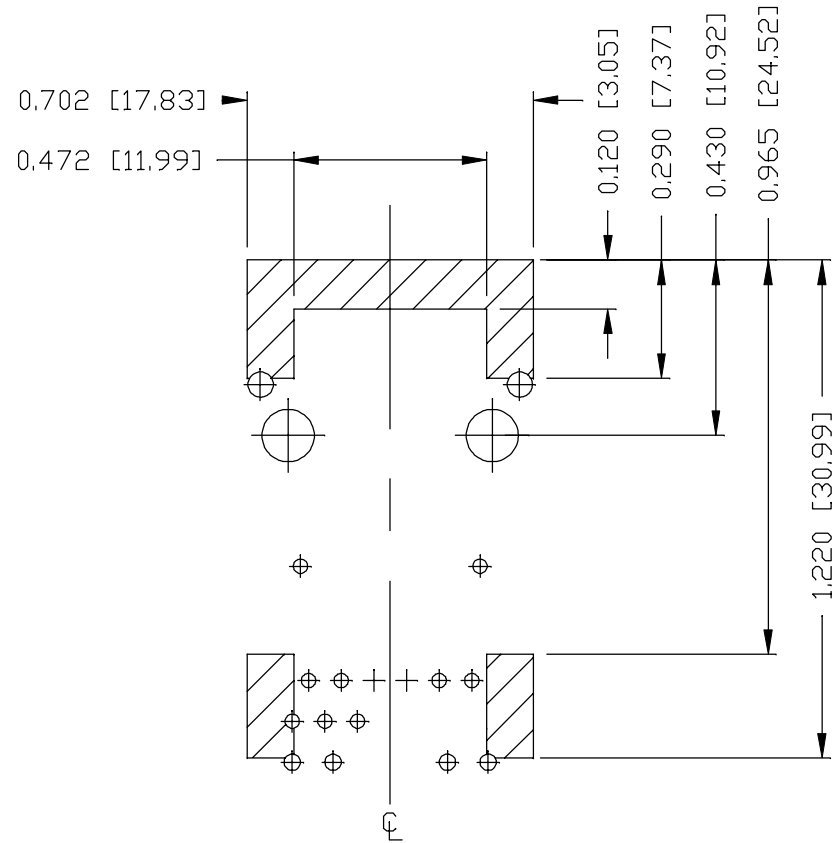
REV. : F PAGE : 3

ORIGINATED BY JESSE LI DATE 2016-08-11	TITLE 10/100 MagJack® PoE 0826-1L1T-57-F	PART NO. / DRAWING NO. 08261L1T57-F	STANDARD DIM. TOL. IN INCH	[ ] METRIC DIM. AS REF.
DRAWN BY JOLLY LUO DATE 2016-08-11	FILE NAME 08261L1T57-F_F.DWG		.X .XX .XXX	UNIT : INCH [mm] SCALE : N/A SIZE : A4
			±0.010	



THE INFORMATION CONTAINED HEREIN IS CONSIDERED "PROPRIETARY" TO BEL FUSE INC. AND SHALL NOT BE COPIED, REPRODUCED OR DISCLOSED WITHOUT THE WRITTEN APPROVAL OF BEL FUSE INC.

RoHS



NOTES

THE SHADED AREA ON THE CUSTOMER BOARD ARE RECOMMENDED TO BE CLEAR OFF ANY VIA HOLE OR COMPONENT PAD.

ORIGINATED BY  
JESSE LI  
DATE 2016-08-11

DRAWN BY  
JOLLY LUO  
DATE 2016-08-11

TITLE  
10/100 MagJack®  
PoE  
0826-1L1T-57-F

PART NO. / DRAWING NO.  
08261L1T57-F  
FILE NAME  
08261L1T57-F\_F.DWG

STANDARD DIM. TOL. IN INCH	[ ] METRIC DIM. AS REF.
.X	UNIT : INCH [mm]
.XX	SCALE : N/A
.XXX	±0.004

SIZE : A4

REV. : F	PAGE : 4
----------	----------

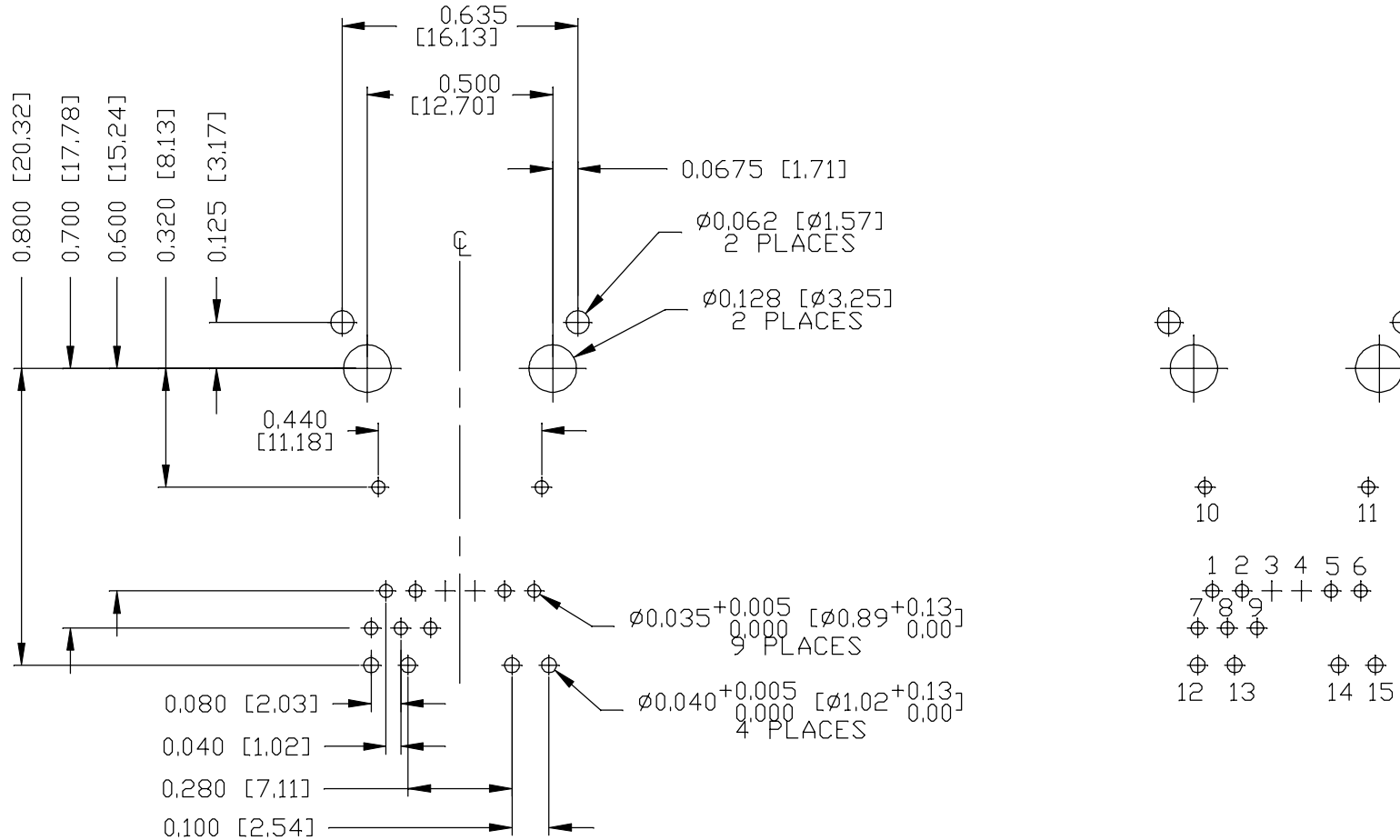
bel MAGNETIC SOLUTIONS  
a bel group

THE INFORMATION CONTAINED HEREIN IS CONSIDERED "PROPRIETARY" TO BEL FUSE INC. AND SHALL NOT BE COPIED, REPRODUCED OR DISCLOSED WITHOUT THE WRITTEN APPROVAL OF BEL FUSE INC.

RoHS



RECOMMENDED PCB FOOTPRINT  
COMPONENT SIDE VIEW



ORIGINATED BY  
JESSE LI  
DATE 2016-08-11  
DRAWN BY  
JOLLY LUD  
DATE 2016-08-11

TITLE  
10/100 MagJack®  
PoE  
0826-1L1T-57-F

PART NO. / DRAWING NO.  
08261L1T57-F  
FILE NAME  
08261L1T57-F\_F.DWG

STANDARD DIM. TOL. IN INCH	[ ] METRIC DIM. AS REF.
.X	UNIT : INCH [mm]
.XX	SCALE : N/A
.XXX	SIZE : A4

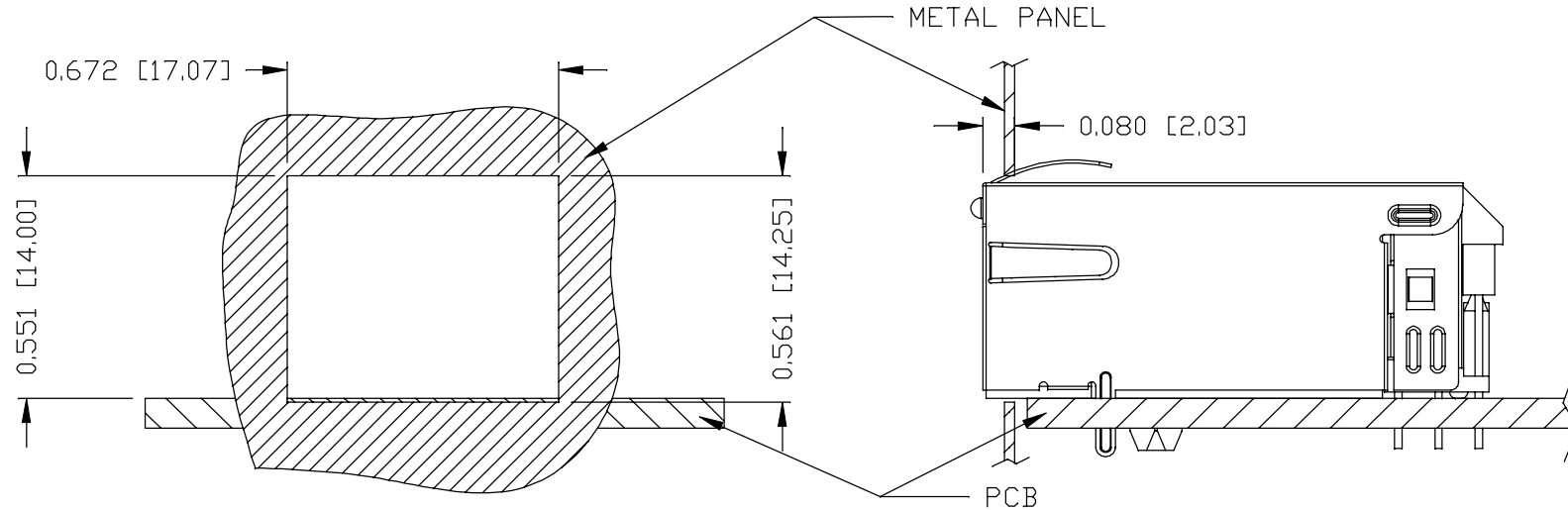
REV. : F	PAGE : 5
<p>a bel group</p>	

THE INFORMATION CONTAINED HEREIN IS CONSIDERED "PROPRIETARY" TO BEL FUSE INC. AND SHALL NOT BE COPIED, REPRODUCED OR DISCLOSED WITHOUT THE WRITTEN APPROVAL OF BEL FUSE INC.

RoHS



SUGGESTED PANEL OPENING



NOTE:

THE DISTANCE OF PANEL INSIDE SURFACE RELATIVE TO FRONT SURFACE OF PART IS ONLY A SUGGESTION. IN CASE THIS DISTANCE IS DIFFERENT, THE REQUIRED PANEL OPENING DIMENSIONS CHANGE ACCORDINGLY.

PACKING INFORMATION

PACKING TRAY : 0200-9999-F6 (TOP)  
0200-9999-F7 (BOTTOM)

PACKING QUANTITY : 40 PCS FINISHED GOODS PER TRAY  
10 TRAYS (400 PCS FINISHED GOODS) PER CARTON BOX

NOTE : CARDBOARDS ARE PLACED BETWEEN LAYERS OF PACKING TRAY INSIDE CARTON BOX  
(INCLUDE THE UPPERMOST AND LOWERMOST TRAY)

REV. : F PAGE : 6

ORIGINATED BY  
JESSE LI  
DATE 2016-08-11  
DRAWN BY  
JOLLY LUO  
DATE 2016-08-11

TITLE  
10/100 MagJack®  
PoE  
0826-1L1T-57-F

PART NO. / DRAWING NO.  
08261L1T57-F  
FILE NAME  
08261L1T57-F\_F.DWG

STANDARD DIM. TOL. IN INCH	[ ] METRIC DIM. AS REF.
.X	UNIT : INCH [mm]
.XX	SCALE : N/A
.XXX ±0.004	SIZE : A4



## X-ON Electronics

Largest Supplier of Electrical and Electronic Components

*Click to view similar products for [Modular Connectors / Ethernet Connectors](#) category:*

*Click to view products by [Bel Fuse](#) manufacturer:*

Other Similar products are found below :

[8949-H88/06BLKA/SN](#) [74441-0010/BKN](#) [MP1010RX-1000](#) [MP44RX-1000](#) [PHJ-4P4C-1-V-4](#) [PHP-6P6C-5](#) [GAX-3-66](#) [GAX-8-62](#) [GDCX-PA-66-50](#) [GDCX-PN-64](#) [GDCX-PN-66](#) [GDCX-PN-66-50](#) [GDLX-A-66](#) [GDLX-N-66](#) [GDLX-S-66](#) [GDLX-S-88K](#) [GDLX-SMT-S-88](#) [GDTX-S-88-50](#) [GDX-PA-1010](#) [GLX-N-1010M-BLK](#) [GLX-S-88M-BLK](#) [GMX-N-1010](#) [GMX-S-1010](#) [GMX-S-66](#) [GMX-SMT4-N-88](#) [GPX-2-64](#) [GSGX-N-2-88](#) [GSGX-N-4-88](#) [GSX-NS2-88-3.05](#) [GSX-NS2-88-3.05-50](#) [GSX-NS-88-3.05-50](#) [PT-108A-8C-UL](#) [PT-J951-8C](#) [PTS-J531-8CS-50UL](#) [1-1775629-2](#) [A-2014-0-4](#) [GWLX-S-88-GR](#) [GWLX-S9-88-YG](#) [DC-1021-8-WH-6](#) [1300530003](#) [1324640-4](#) [RJ11FTVC2G](#) [RJ11FTVC2N](#) [RJFTVX2SA1G](#) [132764-001](#) [1413235](#) [MP88X-1000](#) [MPS88RX-5000](#) [E5288-S000K3-L](#) [E5908-15A242-L](#)