

# INTEGRATED CONNECTOR MODULES

## 0826-1M1T-43-F Gigabit Ethernet Single Port MagJack® with LEDs



| LED1 POLARITY |        |        | LED2 POLARITY |        |       |
|---------------|--------|--------|---------------|--------|-------|
| PIN 13        | PIN 14 | COLOR  | PIN 15        | PIN 16 | COLOR |
| +             | -      | GREEN  | +             | -      | GREEN |
| -             | +      | ORANGE |               |        |       |

**ELECTRICAL CHARACTERISTICS @ 25°C**

**TURNS RATIO**

|     |               |
|-----|---------------|
| TP1 | 1CT : 1CT ±2% |
| TP2 | 1CT : 1CT ±2% |
| TP3 | 1CT : 1CT ±2% |
| TP4 | 1CT : 1CT ±2% |

**DCL @ 100kHz/100mVRMS**

|             |            |
|-------------|------------|
| 8mA DC BIAS | 350µH MIN. |
|-------------|------------|

**INS. LOSS**

|                  |             |
|------------------|-------------|
| 0.1MHz TO 1MHz   | -1.1 dB MAX |
| 1MHz TO 65MHz    | -0.5 dB MAX |
| 65MHz TO 100MHz  | -0.8 dB MAX |
| 100MHz TO 125MHz | -1.2 dB MAX |

**RET. LOSS (MIN)**

|              |                       |
|--------------|-----------------------|
| 0.5MHz-40MHz | -18 dB                |
| 40MHz-100MHz | -12+20LOG(f/80MHz) dB |

**CROSS TALK**

|                 |                           |
|-----------------|---------------------------|
| 100kHz - 100MHz | -33+20LOG(f/100MHz)dB MIN |
|-----------------|---------------------------|

**CM TO CM REJ**

|                 |            |
|-----------------|------------|
| 100kHz - 100MHz | -30 dB MIN |
|-----------------|------------|

**CM TO DM REJ**

|                 |            |
|-----------------|------------|
| 100kHz - 100MHz | -35 dB MIN |
|-----------------|------------|

**HIPOT (Isolation Voltage):**

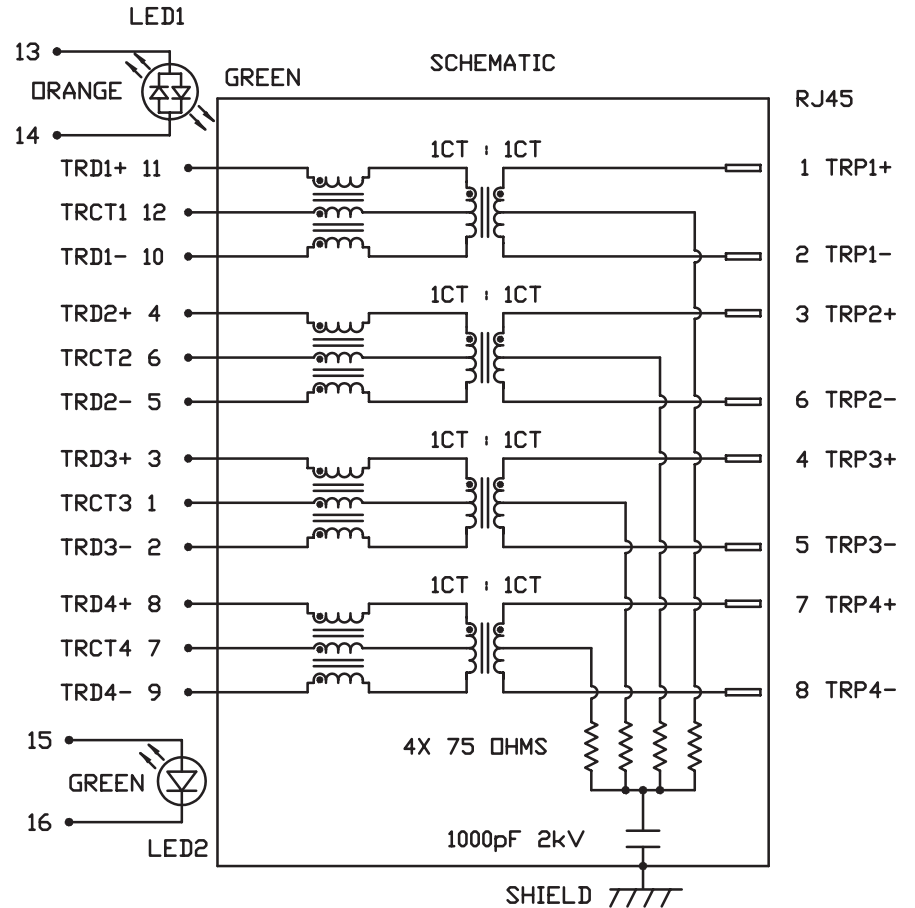
1500 Vrms or 2250VDC

**LED 1**

|                          |         |        |            |
|--------------------------|---------|--------|------------|
| VF (FORWARD VOLTAGE)     | IF=20mA | GREEN  | 2.2V TYP.  |
|                          |         | ORANGE | 2.0V TYP.  |
| λD (DOMINANT WAVELENGTH) | IF=20mA | GREEN  | 565nm TYP. |
|                          |         | ORANGE | 610nm TYP. |

**LED 2**

|                          |         |       |            |
|--------------------------|---------|-------|------------|
| VF (FORWARD VOLTAGE)     | IF=20mA | GREEN | 2.2V TYP.  |
| λD (DOMINANT WAVELENGTH) | IF=20mA | GREEN | 565nm TYP. |

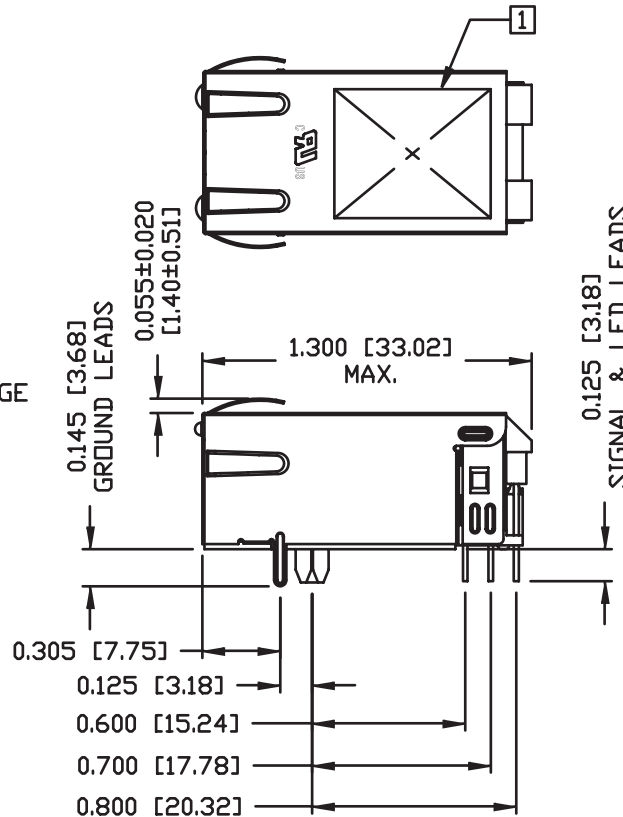
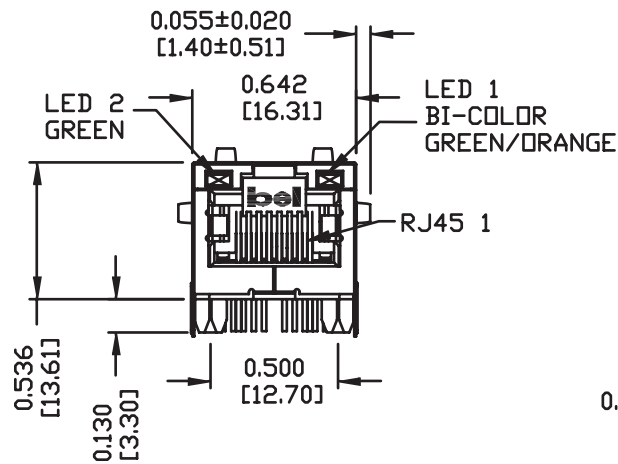


# INTEGRATED CONNECTOR MODULES

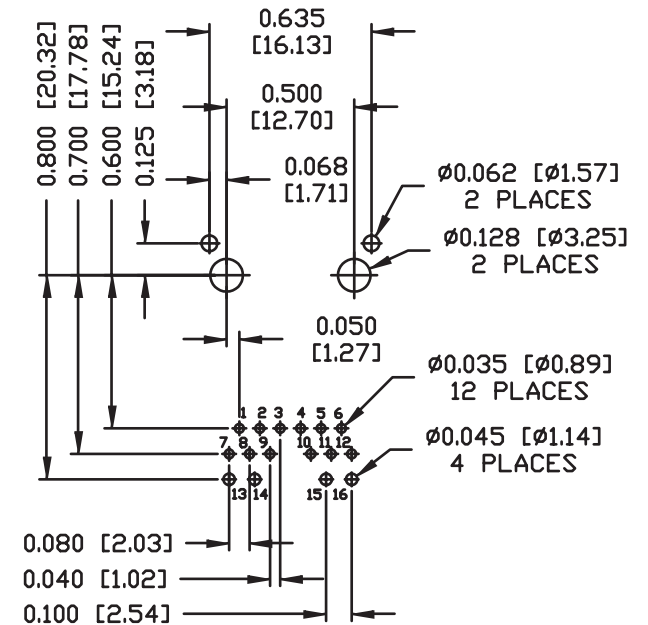
## 0826-1M1T-43-F Gigabit Ethernet Single Port MagJack® with LEDs



### MECHANICAL SPECIFICATION



### RECOMMENDED PCB FOOTPRINT COMPONENT SIDE VIEW



**NOTES:**

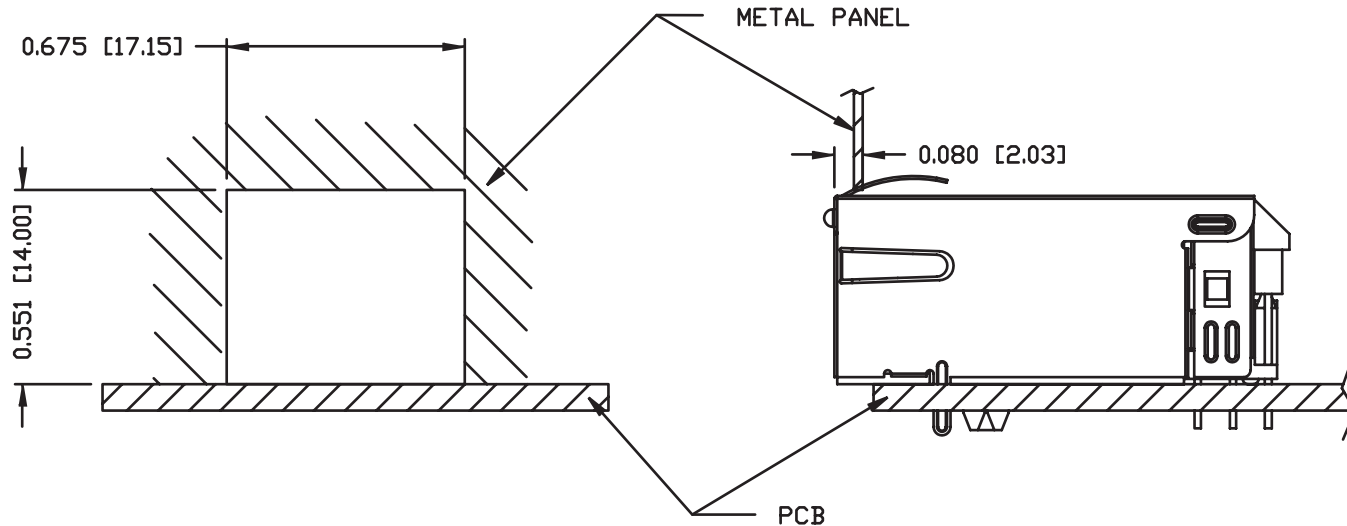
- PLASTIC HOUSING: THERMOPLASTIC PA 4/6  
FLAMMABILITY RATING UL 94V-0
- CONTACTS: 50 MICRO-INCH HARD GOLD PLATING
- OUTPUT PINS: TIN-COATED COPPER WIRE, DIA 0.018 INCH.
- METAL SHIELD: NICKEL PLATED ON COPPER ALLOY.  
(ALL GROUND LEADS ARE SOLDER DIPPED)

- 1. MARK PART WITH MFG LOGO, MFG NAME, PART NUMBER, AND DATE CODE.
  - 2. RoHS COMPLIANCE, PER EU DIRECTIVE 2002/95/EC
- UL RECOGNIZED - FILE #E196366 AND E169987.  
JACK CAVITY CONFORMS TO FCC RULES AND REGULATIONS.

**INTEGRATED CONNECTOR MODULES**  
**0826-1M1T-43-F Gigabit Ethernet Single Port MagJack® with LEDs**



SUGGESTED PANEL OPENING



**NOTE:**

THE DISTANCE OF PANEL INSIDE SURFACE RELATIVE TO FRONT SURFACE OF PART IS ONLY A SUGGESTION. IN CASE THIS DISTANCE IS DIFFERENT, THE REQUIRED PANEL OPENING DIMENSIONS CHANGE ACCORDINGLY.

**PACKING INFORMATION**

PACKING TRAY : 0200-9999-F6 (TOP)  
 0200-9999-F7 (BOTTOM)

PACKING QUANTITY : 40 PCS FINISHED GOODS PER TRAY  
 10 TRAYS (400 PCS FINISHED GOODS) PER CARTON BOX

NOTE : CARDBOARDS ARE PLACED BETWEEN LAYERS OF PACKING TRAY INSIDE CARTON BOX  
 (INCLUDE THE UPPERMOST AND LOWERMOST TRAY)

## X-ON Electronics

Largest Supplier of Electrical and Electronic Components

*Click to view similar products for [Modular Connectors / Ethernet Connectors](#) category:*

*Click to view products by [Bel Fuse](#) manufacturer:*

Other Similar products are found below :

[8949-H88/06BLKA/SN](#) [74441-0010/BKN](#) [MP1010RX-1000](#) [MP44RX-1000](#) [PHJ-4P4C-1-V-4](#) [PHP-6P6C-5](#) [GAX-3-66](#) [GAX-8-62](#) [GDCX-PA-66-50](#) [GDCX-PN-64](#) [GDCX-PN-66](#) [GDCX-PN-66-50](#) [GDLX-A-66](#) [GDLX-N-66](#) [GDLX-S-66](#) [GDLX-S-88K](#) [GDLX-SMT-S-88](#) [GDTX-S-88-50](#) [GDX-PA-1010](#) [GLX-N-1010M-BLK](#) [GLX-S-88M-BLK](#) [GMX-N-1010](#) [GMX-S-1010](#) [GMX-S-66](#) [GMX-SMT4-N-88](#) [GPX-2-64](#) [GSGX-N-2-88](#) [GSGX-N-4-88](#) [GSX-NS2-88-3.05](#) [GSX-NS2-88-3.05-50](#) [GSX-NS-88-3.05-50](#) [PT-108A-8C-UL](#) [PT-J951-8C](#) [PTS-J531-8CS-50UL](#) [1-1775629-2](#) [A-2014-0-4](#) [GWLX-S-88-GR](#) [GWLX-S9-88-YG](#) [DC-1021-8-WH-6](#) [1300530003](#) [1324640-4](#) [RJ11FTVC2G](#) [RJ11FTVC2N](#) [RJFTVX2SA1G](#) [132764-001](#) [1413235](#) [MP88X-1000](#) [MPS88RX-5000](#) [E5288-S000K3-L](#) [E5908-15A242-L](#)