

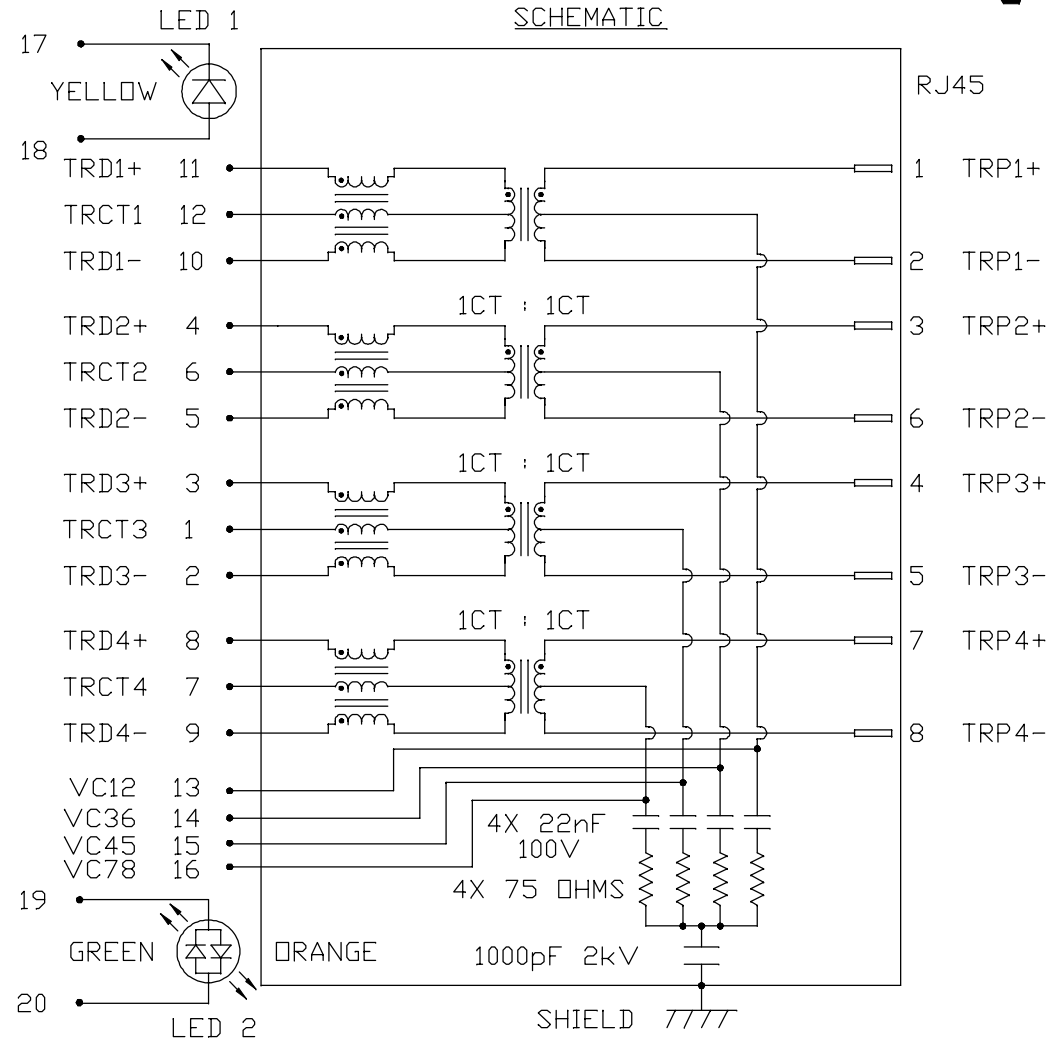
THE INFORMATION CONTAINED HEREIN IS CONSIDERED "PROPRIETARY" TO BEL FUSE INC. AND SHALL NOT BE COPIED, REPRODUCED OR DISCLOSED WITHOUT THE WRITTEN APPROVAL OF BEL FUSE INC.

| LED 1 POLARITY | | | LED 2 POLARITY | | |
|----------------|--------|--------|----------------|--------|--------|
| PIN 17 | PIN 18 | COLOR | PIN 19 | PIN 20 | COLOR |
| - | + | YELLOW | + | - | ORANGE |
| | | | - | + | GREEN |



ELECTRICAL CHARACTERISTICS @ 25°C

URNS RATIO
 TP1 1CT : 1CT ±2%
 TP2 1CT : 1CT ±2%
 TP3 1CT : 1CT ±2%
 TP4 1CT : 1CT ±2%
QCL @ 100kHz/100mVRMS (4CHANNEL)
 11mA DC BIAS 350µH MIN.
 Compliant to IEEE 802.3at specification
INS. LOSS
 0.1MHz TO 1MHz -1.1 dB MAX
 1MHz TO 65MHz -0.8 dB MAX
 65MHz TO 100MHz -1.0 dB MAX
 100MHz TO 125MHz -1.2 dB MAX
RET. LOSS (MIN)
 0.5MHz-40MHz -18 dB
 40MHz-100MHz -12+20LOG(f/80MHz) dB
CM TO CM REJ
 100kHz - 100MHz -30 dB MIN
CM TO DM REJ
 100kHz - 100MHz -35 dB MIN
HIPOT (Isolation Voltage): 2250 VDC
 100% OF PRODUCTION TESTED TO COMPLY
 WITH IEEE 802.3 ISOLATION REQUIREMENTS
BALANCED DC LINE CURRENT 720 mA MAX. @ 57 VDC CONTINUOUS
 1.2 A MAX. @ 57 VDC FOR 200 MILLISECONDSS
OPERATING TEMPERATURE: -40°C TO 85°C
LED 1
 VF (FORWARD VOLTAGE) IF=20mA YELLOW 2.1V TYP.
 λD (DOMINANT WAVELENGTH) IF=20mA YELLOW 590nm TYP.
LED 2
 VF (FORWARD VOLTAGE) IF=20mA GREEN 2.2V TYP.
 ORANGE 2.0V TYP.
 λD (DOMINANT WAVELENGTH) IF=20mA GREEN 570nm TYP.
 ORANGE 605nm TYP.
OPERATING TEMPERATURE: -40°C TO 85°C



REV. : B PAGE : 2

ORIGINATED BY
 CHOW WANCHUNG
DATE 2017-04-03
DRAWN BY
 XIE YIMING
DATE 2017-04-03

TITLE
 1X4 glgabit MagJack®
 (PoEp, Extended Temperature)
 0826-1X4T-GH-F
 PATENTED

PART NO. / DRAWING NO.
 08261X4TGH-F
FILE NAME
 08261X4TGH-F_B.DWG

STANDARD DIM. [] METRIC DIM.
TOL. IN INCH AS REF.
 .X
 .XX
 .XXX
 UNIT : INCH [mm]
 SCALE : N/A
 SIZE : A4



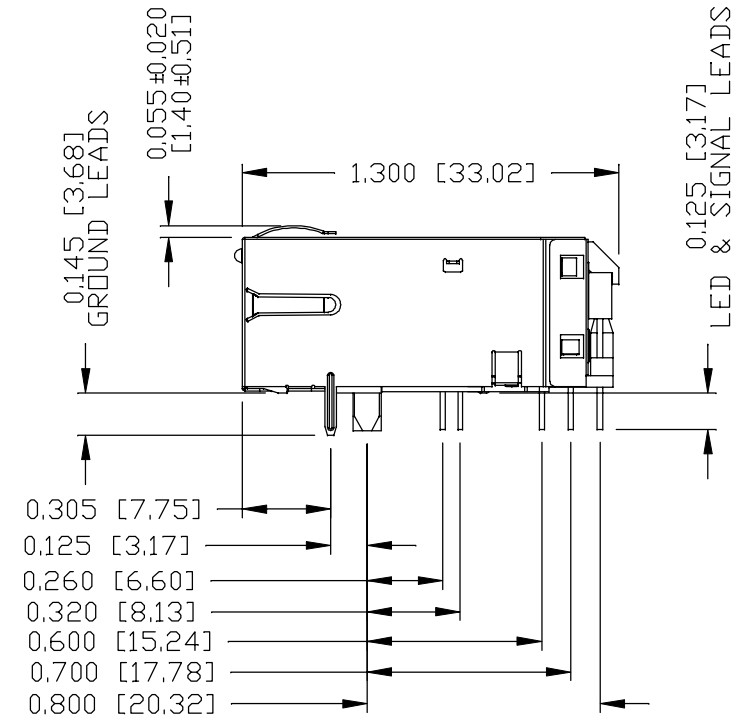
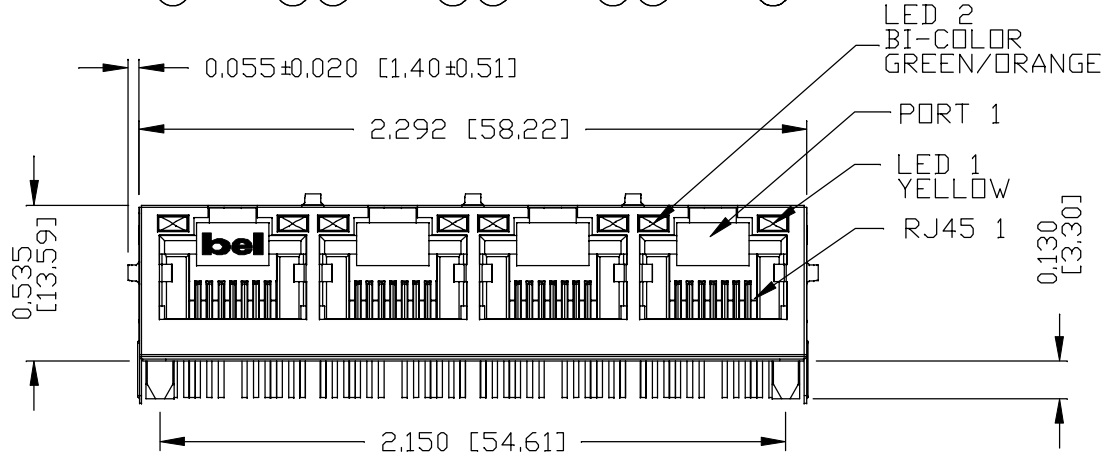
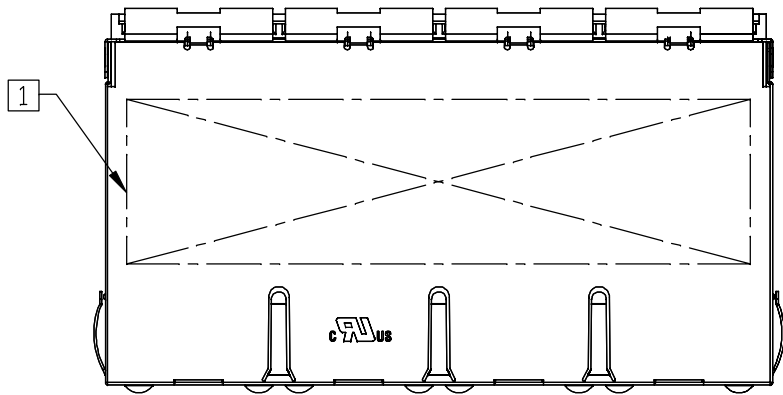
THE INFORMATION CONTAINED HEREIN IS CONSIDERED 'PROPRIETARY' TO BEL FUSE INC. AND SHALL NOT BE COPIED, REPRODUCED OR DISCLOSED WITHOUT THE WRITTEN APPROVAL OF BEL FUSE INC.

RoHS



NOTES:

- PLASTIC HOUSING: THERMOPLASTIC PBT, BLACK
FLAMMABILITY RATING UL 94V-0
- CONTACTS PLATING: 50 MICRO-INCH HARD GOLD PLATING OR EQUIVALENT.
- PINS: TIN-COATED COPPER WIRE, DIA 0.018 INCH.
100 MICRO-INCH MIN MATTE TIN. PINS ARE SOLDER DIPPED.
- METAL SHIELD: NICKEL PLATED ON COPPER ALLOY.
(ALL GROUND LEADS ARE SOLDER DIPPED)
- JACK CAVITY CONFORMS TO FCC RULES AND REGULATIONS.
- THE PRODUCT IS PATENTED. THE PATENT NUMBER IS U.S. PAT. 7,123,117.
- [1] MARK PART WITH MFG LOGO, MFG NAME, PART NUMBER
DATE CODE AND PATENTED.



2. THE PRODUCT IS RoHS COMPLIANT.

UL UL RECOGNIZED - FILE #E196366 AND E169987.

3. THE PART IS RECOMMENDED FOR WAVE SOLDERING, THE SUGGESTED PEAK WAVE SOLDERING CONDITION IS 260°C MAX AND 10 SECONDS MAX.

ORIGINATED BY
ANTON LIAO
DATE 2017-04-03

DRAWN BY
JESSE LI
DATE 2017-04-03

TITLE
1X4 glgabit MagJack®
(PoEp, Extended Temperature)

0826-1X4T-GH-F
PATENTED

PART NO. / DRAWING NO.
08261X4TGH-F

FILE NAME
08261X4TGH-F_B.DWG

STANDARD DIM.
TOL. IN INCH

| | |
|------|--------|
| .X | |
| .XX | |
| .XXX | ±0.010 |

[] METRIC DIM.
AS REF.

UNIT : INCH [mm]
SCALE : N/A
SIZE : A4

REV. : B PAGE : 3

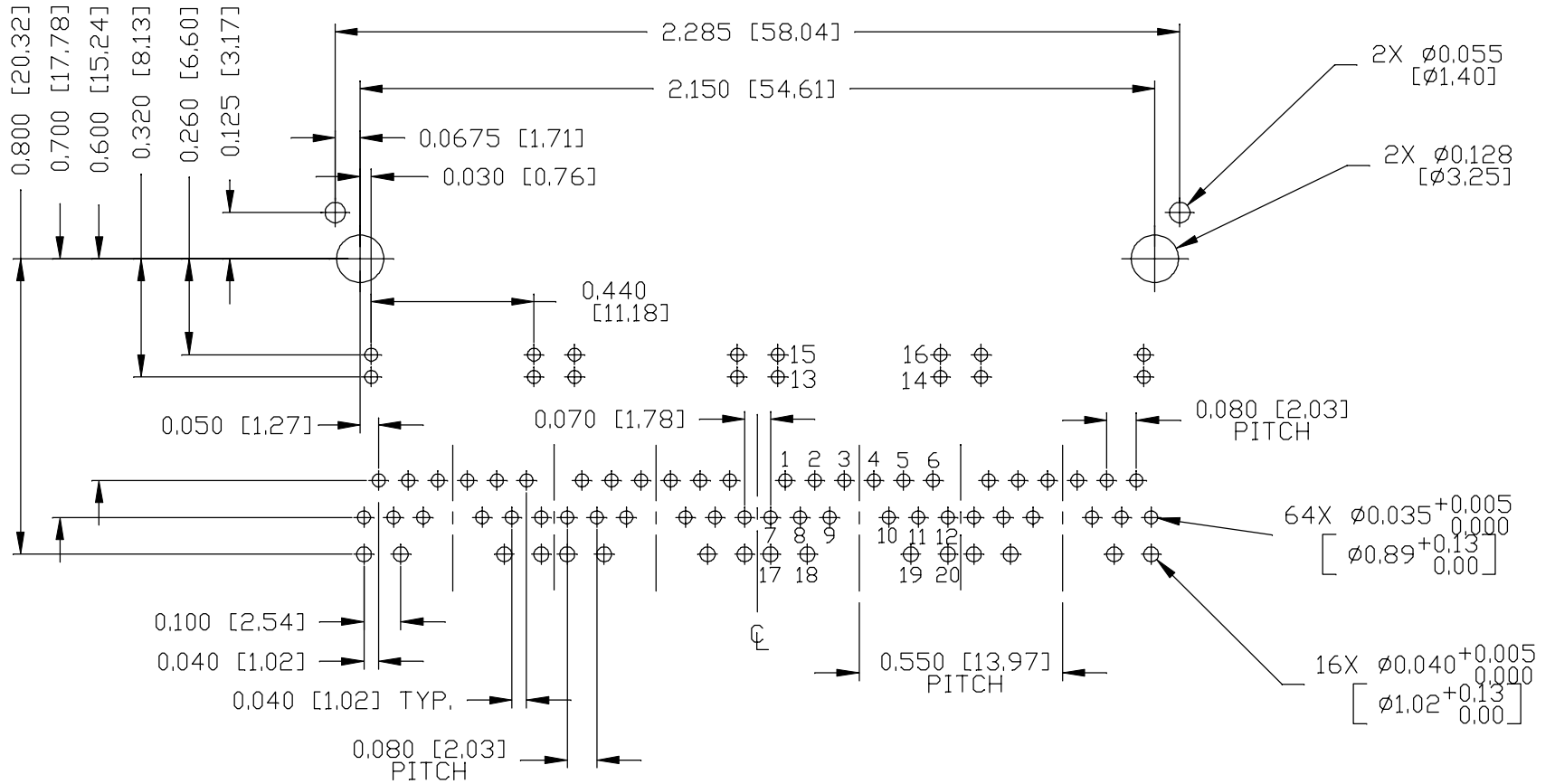


THE INFORMATION CONTAINED HEREIN IS CONSIDERED 'PROPRIETARY' TO BEL FUSE INC. AND SHALL NOT BE COPIED, REPRODUCED OR DISCLOSED WITHOUT THE WRITTEN APPROVAL OF BEL FUSE INC.

RoHS



RECOMMENDED PCB FOOTPRINT
COMPONENT SIDE VIEW



ORIGINATED BY
ANTON LIAO
DATE 2017-04-03
DRAWN BY
JESSE LI
DATE 2017-04-03

TITLE
1X4 glgabit MagJack®
(PoEp, Extended Temperature)
0826-1X4T-GH-F
PATENTED

PART NO. / DRAWING NO.
08261X4TGH-F
FILE NAME
08261X4TGH-F_B.DWG

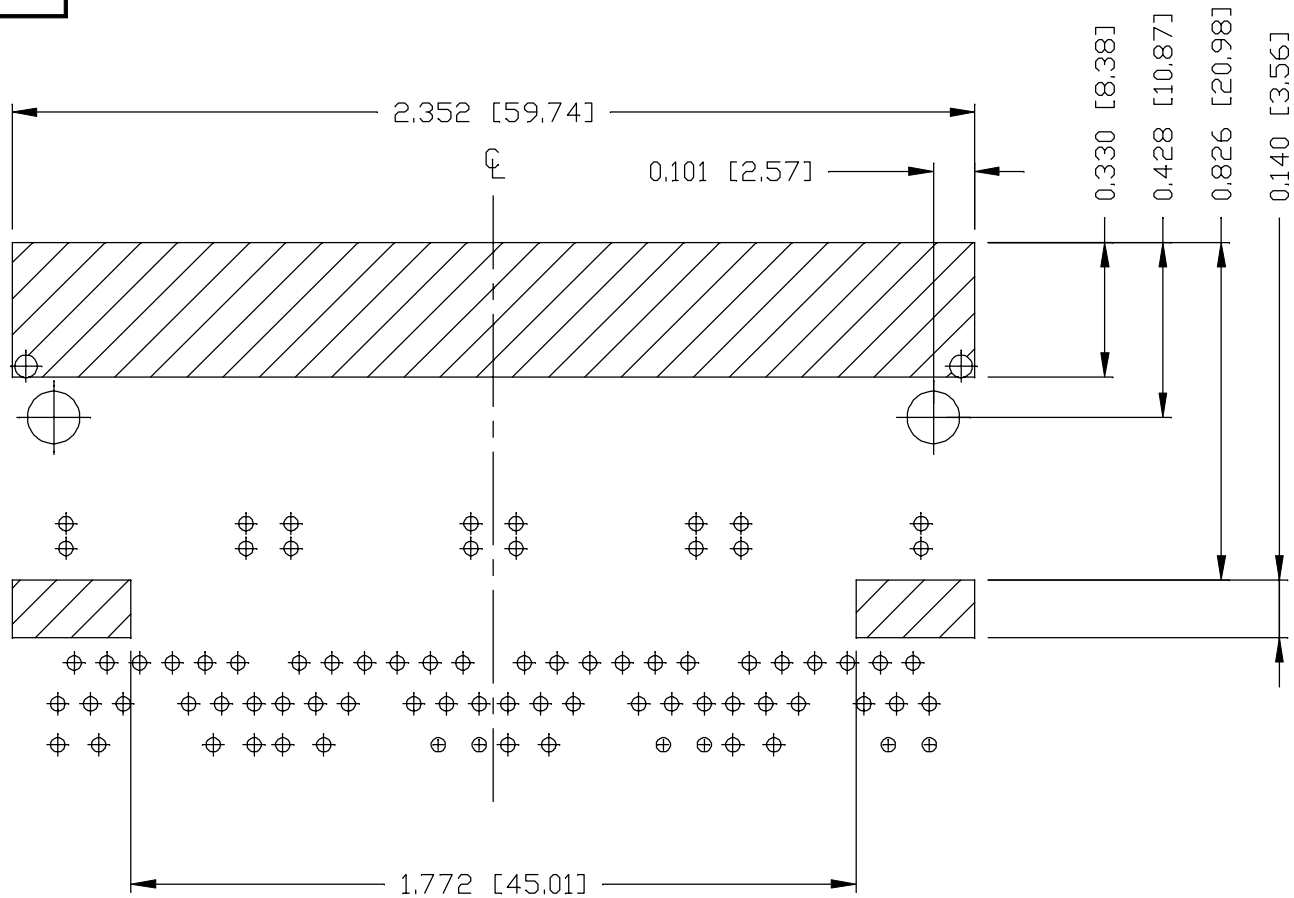
| STANDARD DIM. TOL. IN INCH | [] METRIC DIM. AS REF. |
|-------------------------------|----------------------------|
| .X | UNIT : INCH [mm] |
| .XX | SCALE : N/A |
| .XXX | SIZE : A4 |

REV. : B PAGE : 4



THE INFORMATION CONTAINED HEREIN IS CONSIDERED "PROPRIETARY" TO BEL FUSE INC. AND SHALL NOT BE COPIED, REPRODUCED OR DISCLOSED WITHOUT THE WRITTEN APPROVAL OF BEL FUSE INC.

RoHS



NOTES:

THE SHADED AREA ON THE CUSTOMER BOARD ARE RECOMMENDED TO BE CLEAR OFF ANY VIA HOLE OR COMPONENT PAD.

REV. : B PAGE : 5

ORIGINATED BY
ANTON LIAO
DATE 2017-04-03
DRAWN BY
JESSE LI
DATE 2017-04-03

TITLE
1X4 gigabit MagJack®
(PoEp, Extended Temperature)
0826-1X4T-GH-F
PATENTED

PART NO. / DRAWING NO.
08261X4TGH-F
FILE NAME
08261X4TGH-F_B.DWG

| | |
|-------------------------------|----------------------------|
| STANDARD DIM. TOL. IN INCH | [] METRIC DIM. AS REF. |
| .X | UNIT : INCH [mm] |
| .XX | SCALE : N/A |
| .XXX | ±0.004 |
| | SIZE : A4 |

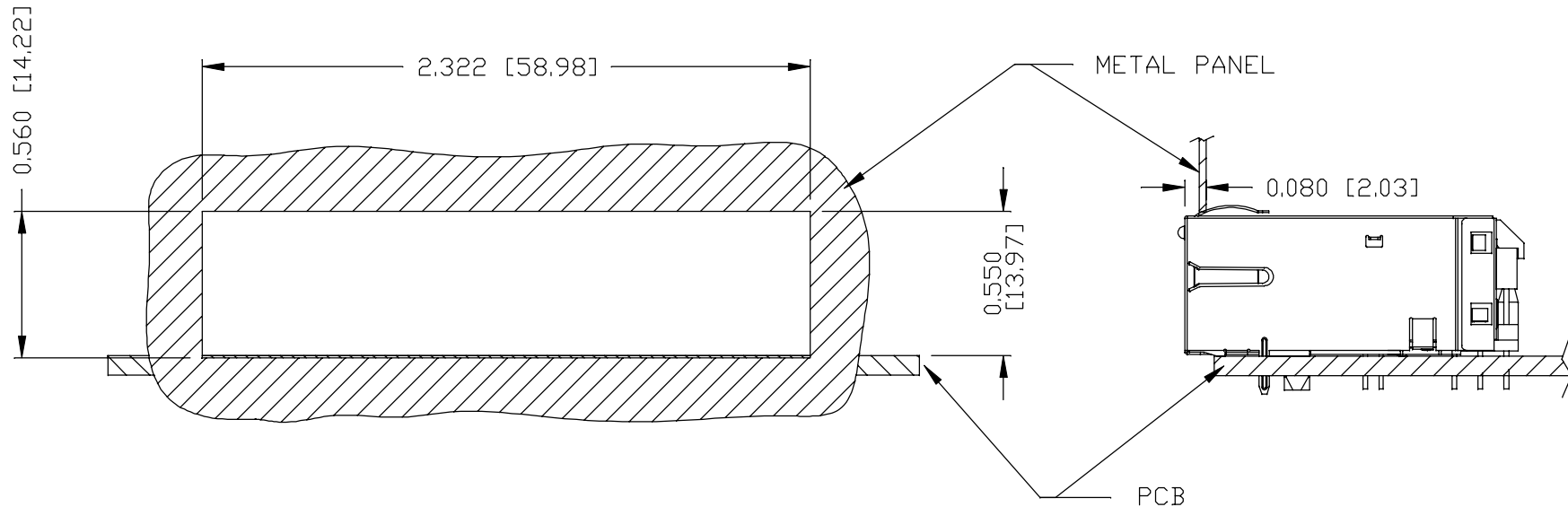


THE INFORMATION CONTAINED HEREIN IS CONSIDERED "PROPRIETARY" TO BEL FUSE INC. AND SHALL NOT BE COPIED, REPRODUCED OR DISCLOSED WITHOUT THE WRITTEN APPROVAL OF BEL FUSE INC.

RoHS



SUGGESTED PANEL OPENING



NOTES:

THE DISTANCE OF PANEL INSIDE SURFACE RELATIVE TO FRONT SURFACE OF PART IS ONLY A SUGGESTION. IN CASE THIS DISTANCE IS DIFFERENT, THE REQUIRED PANEL OPENING DIMENSIONS CHANGE ACCORDINGLY.

PACKING INFORMATION

PACKING TRAY : 0200-9999-B4 (TOP)

0200-9999-B5 (BOTTOM)

PACKING QUANTITY : 24 PCS FINISHED GOODS PER TRAY

10 TRAYS (240 PCS FINISHED GOODS) PER CARTON BOX

NOTE : CARDBOARDS ARE PLACED BETWEEN LAYERS OF PACKING TRAY INSIDE CARTON BOX

(INCLUDE THE UPPERMOST AND LOWERMOST TRAY)

| | | | |
|--------|---|--------|---|
| REV. : | B | PAGE : | 6 |
|--------|---|--------|---|

| | | | | | | |
|--|--|---|---|--------|-----------|------------------|
| ORIGINATED BY ANTON LIAO DATE 2017-04-03 | TITLE 1X4 gigabit MagJack® (PoEp, Extended Temperature) 0826-1X4T-GH-F PATENTED | PART NO. / DRAWING NO. 08261X4TGH-F FILE NAME 08261X4TGH-F_B.DWG | STANDARD DIM. TOL. IN INCH [] METRIC DIM. AS REF. | | | |
| | | | .X | | | UNIT : INCH [mm] |
| | | | .XX | | | SCALE : N/A |
| DRAWN BY JESSE LI DATE 2017-04-03 | | | .XXX | ±0.004 | SIZE : A4 | |

X-ON Electronics

Largest Supplier of Electrical and Electronic Components

Click to view similar products for [Modular Connectors / Ethernet Connectors](#) category:

Click to view products by [Bel Fuse](#) manufacturer:

Other Similar products are found below :

[8949-H88/06BLKA/SN](#) [74441-0010/BKN](#) [MP1010RX-1000](#) [MP44RX-1000](#) [PHJ-4P4C-1-V-4](#) [PHP-6P6C-5](#) [GAX-3-66](#) [GAX-8-62](#) [GDCX-PA-66-50](#) [GDCX-PN-64](#) [GDCX-PN-66](#) [GDCX-PN-66-50](#) [GDLX-A-66](#) [GDLX-N-66](#) [GDLX-S-66](#) [GDLX-S-88K](#) [GDLX-SMT-S-88](#) [GDTX-S-88-50](#) [GDX-PA-1010](#) [GLX-N-1010M-BLK](#) [GLX-S-88M-BLK](#) [GMX-N-1010](#) [GMX-S-1010](#) [GMX-S-66](#) [GMX-SMT4-N-88](#) [GPX-2-64](#) [GSGX-N-2-88](#) [GSGX-N-4-88](#) [GSX-NS2-88-3.05](#) [GSX-NS2-88-3.05-50](#) [GSX-NS-88-3.05-50](#) [PT-108A-8C-UL](#) [PT-J951-8C](#) [PTS-J531-8CS-50UL](#) [1-1775629-2](#) [A-2014-0-4](#) [GWLX-S-88-GR](#) [GWLX-S9-88-YG](#) [DC-1021-8-WH-6](#) [1300530003](#) [1324640-4](#) [RJ11FTVC2G](#) [RJ11FTVC2N](#) [RJFTVX2SA1G](#) [132764-001](#) [1413235](#) [MP88X-1000](#) [MPS88RX-5000](#) [E5288-S000K3-L](#) [E5908-15A242-L](#)