

THE INFORMATION CONTAINED HEREIN IS CONSIDERED "PROPRIETARY" TO BEL FUSE INC. AND SHALL NOT BE COPIED, REPRODUCED OR DISCLOSED WITHOUT THE WRITTEN APPROVAL OF BEL FUSE INC.

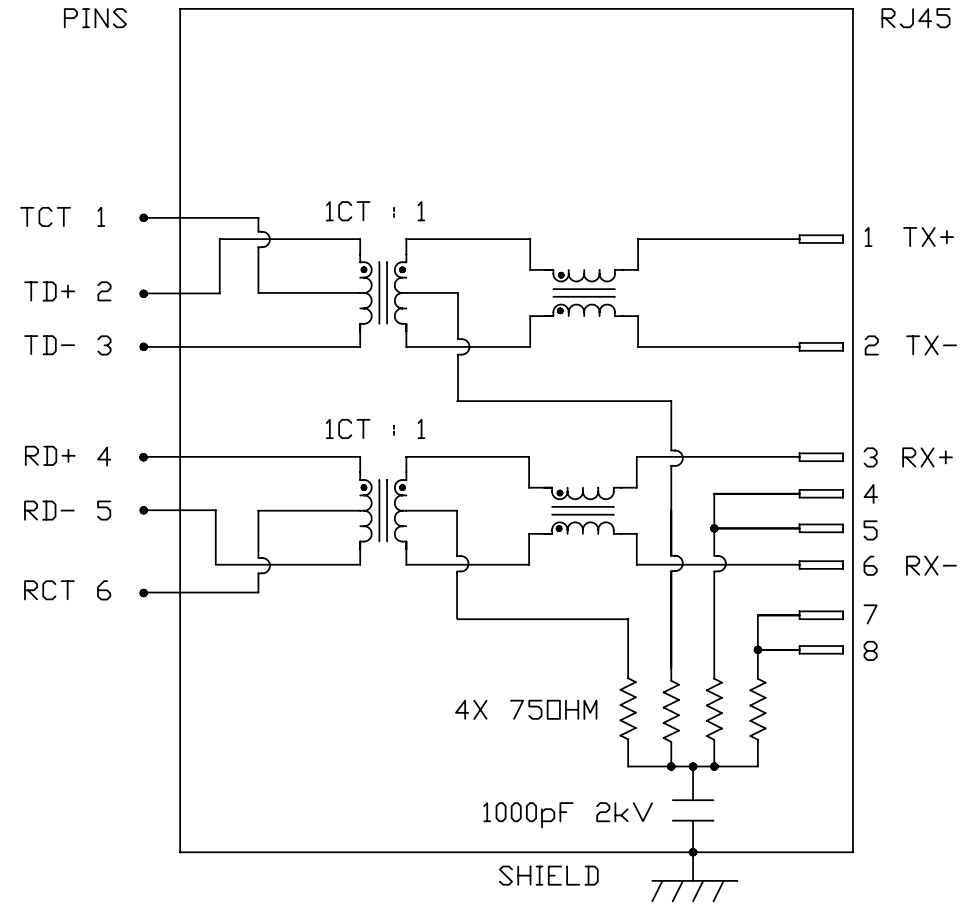
RoHS



SCHEMATIC

ELECTRICAL CHARACTERISTICS @ 25°C

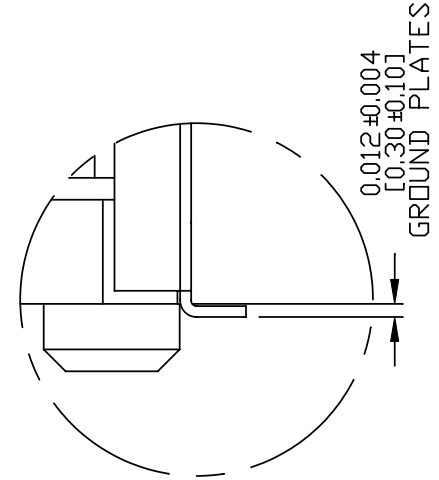
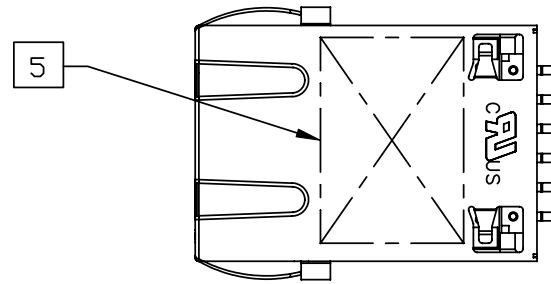
TURNS RATIO	
TX	1CT : 1
RX	1CT : 1
□CL @ 100kHz/100mVRMS 8mA DC BIAS	
	350μH MIN.
INS. LOSS	
1MHz TO 100MHZ	-1.0 dB MAX
RET. LOSS (MIN)	
1MHz-30MHz	-18 dB
30MHz-60MHz	-18+20LOG(F/30MHz) dB
60MHz-80MHz	-12 dB
CROSS TALK (TX - RX)	
500kHz-100MHZ	-35 dB MIN
CM TO CM REJ	
100kHz-100MHZ	-30 dB MIN
CM TO DM REJ	
100kHz-100MHZ	-40 dB MIN
HIPOT (Isolation Voltage):	
	1500 Vrms
100% OF PRODUCTION TESTED TO COMPLY WITH IEEE 802.3 ISOLATION REQUIREMENT	
OPERATING TEMPERATURE: -40°C TO 85°C	



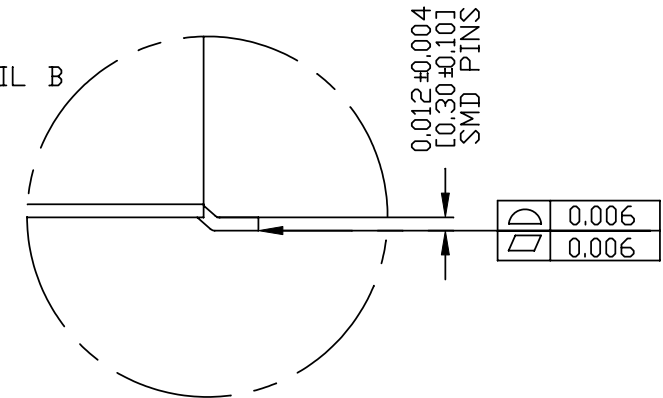
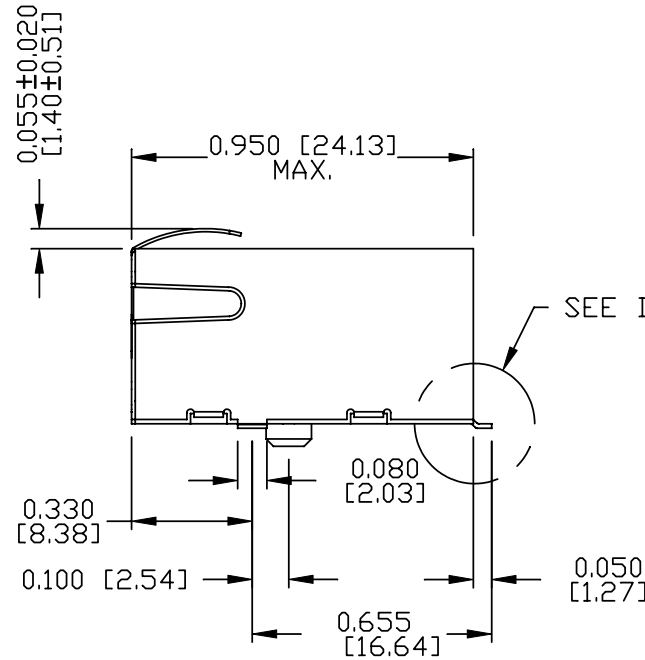
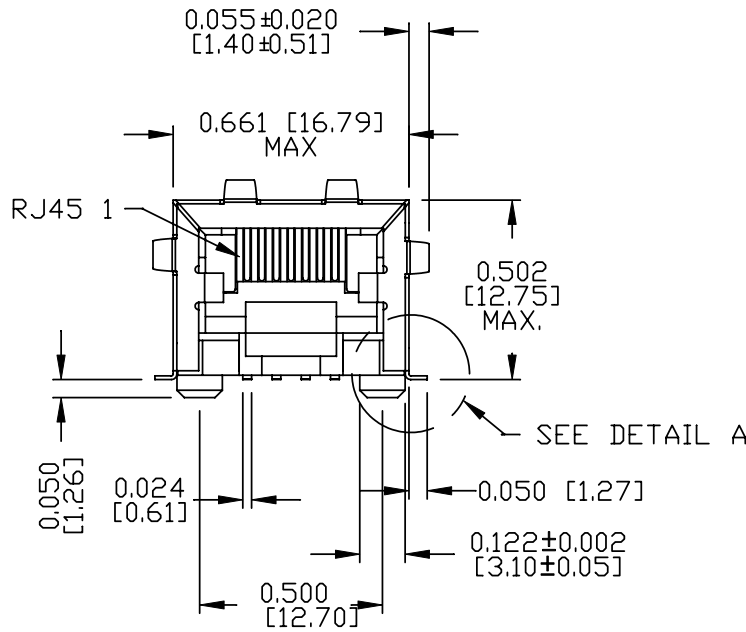
ORIGINATED BY CHOW WANCHUNG	DATE 2012-07-27	TITLE MagJack® 4 CORE, WITH CM TERM Extended temperature S811-1X1T-36-F PATENTED	PART NO. / DRAWING NO. S811X1T36-F	STANDARD DIM. TOL. IN INCH	[] METRIC DIM. AS REFERENCE	bel COMPONENTS FOR A CONNECTED PLANET
DRAWN BY TAN QIGUANG	DATE 2012-07-27		FILE NAME S811X1T36-F_C.DWG	.X .XX .XXX	UNIT : INCH [mm] SCALE : N/A ⊕	

THE INFORMATION CONTAINED HEREIN IS CONSIDERED "PROPRIETARY" TO BEL FUSE INC. AND SHALL NOT BE COPIED, REPRODUCED OR DISCLOSED WITHOUT THE WRITTEN APPROVAL OF BEL FUSE INC.

RoHS



DETAIL A
SCALE 3:1



DETAIL B
SCALE 3:1

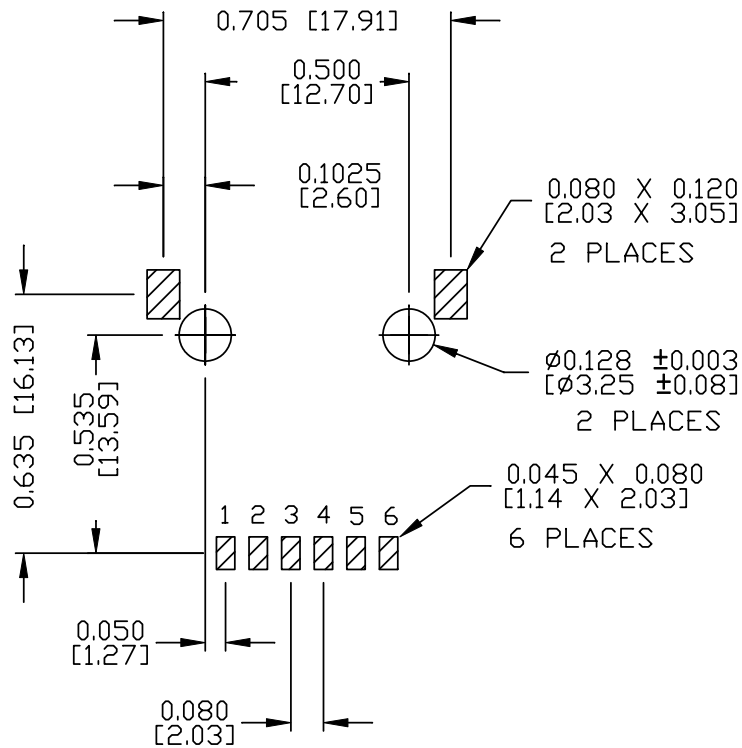
ORIGINATED BY ANTON LIAD	DATE 2012-07-28	TITLE MagJack® 4 CORE, WITH CM TERM Extended temperature S811-1X1T-36-F PATENTED	PART NO. / DRAWING NO. S811X1T36-F	STANDARD DIM. TOL. IN INCH	[] METRIC DIM. AS REFERENCE	 COMPONENTS FOR A CONNECTED PLANET
DRAWN BY HE ZHEN	DATE 2012-07-28		FILE NAME S811X1T36-F_C.DWG	.X .XX .XXX	UNIT : INCH [mm] SCALE : N/A 	

THE INFORMATION CONTAINED HEREIN IS CONSIDERED "PROPRIETARY" TO BEL FUSE INC. AND SHALL NOT BE COPIED, REPRODUCED OR DISCLOSED WITHOUT THE WRITTEN APPROVAL OF BEL FUSE INC.

RoHS




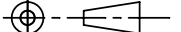
RECOMMENDED PCB FOOTPRINT
COMPONENT SIDE VIEW



NOTES:

1. PLASTIC HOUSING: THERMOPLASTIC PA & THERMOSET PHENOLIC. FLAMMABILITY RATING UL 94V-0
2. CONTACTS PLATING: 50 MICRO-INCH HARD GOLD PLATING OR EQUIVALENT.
3. PINS: TIN-COATED COPPER WIRE, 0.024 [0.6] X 0.012 [0.3] THK,
4. METAL SHIELD: NICKEL PLATED ON COPPER ALLOY.
5. MARK PART WITH MFG. LOGO, MFG. NAME, PART NUMBER, DATE CODE AND PATENTED.
6. JACK CAVITY CONFORMS TO FCC RULES AND REGULATIONS.
7. THE PRODUCT IS RoHS COMPLIANT.
8. THE PRODUCT IS PATENT PRODUCT. THE PATENT NUMBER IS U.S. PAT. 5,736,910.

 USUL RECOGNIZED - FILE #E196366 AND E169987.

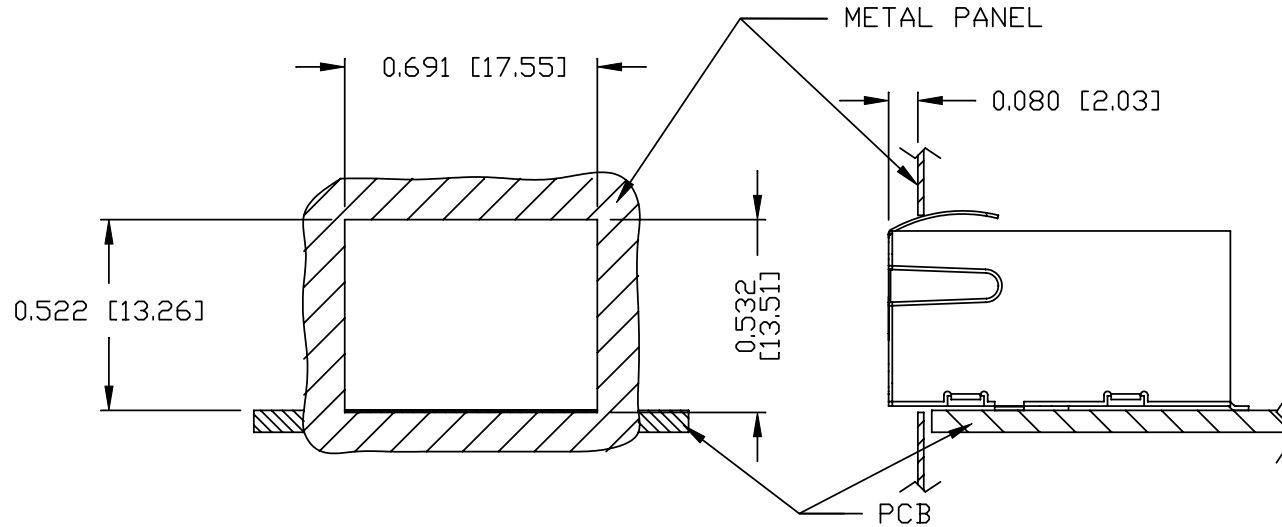
ORIGINATED BY ANTON LIAO	DATE 2012-07-28	TITLE MagJack® 4 CORE, WITH CM TERM Extended temperature	PART NO. / DRAWING NO. S8111X1T36-F	STANDARD DIM. TOL. IN INCH	[] METRIC DIM. AS REFERENCE	 COMPONENTS FOR A CONNECTED PLANET	
DRAWN BY HE ZHEN	DATE 2012-07-28	S811-1X1T-36-F PATENTED	FILE NAME S8111X1T36-F_C.DWG	.X	UNIT : INCH [mm]		REV. : C
				.XX	SCALE : N/A		SIZE : A4
				.XXX ±0.004			PAGE : 4

THE INFORMATION CONTAINED HEREIN IS CONSIDERED "PROPRIETARY" TO BEL FUSE INC. AND SHALL NOT BE COPIED, REPRODUCED OR DISCLOSED WITHOUT THE WRITTEN APPROVAL OF BEL FUSE INC.

RoHS



SUGGESTED PANEL OPENING



NOTES:

THE DISTANCE OF PANEL INSIDE SURFACE RELATIVE TO FRONT SURFACE OF PART IS ONLY A SUGGESTION.

IN CASE THIS DISTANCE IS DIFFERENT, THE REQUIRED PANEL OPENING DIMENSIONS CHANGE ACCORDINGLY.

ORIGINATED BY ANTON LIAO	DATE 2012-07-28	TITLE MagJack® 4 CORE, WITH CM TERM Extended temperature S811-1X1T-36-F PATENTED	PART NO. / DRAWING NO. S811X1T36-F	STANDARD DIM. TOL. IN INCH	[] METRIC DIM. AS REFERENCE		 COMPONENTS FOR A CONNECTED PLANET
DRAWN BY HE ZHEN	DATE 2012-07-28		FILE NAME S811X1T36-F_C.DWG	.X .XX .XXX	±0.004	UNIT : INCH [mm] SCALE : N/A	

X-ON Electronics

Largest Supplier of Electrical and Electronic Components

Click to view similar products for [Bel Fuse manufacturer](#):

Other Similar products are found below :

[P2404DB](#) [FC100V20A-G](#) [5SF 200-R](#) [606DUGP](#) [M24308/1-12F](#) [M24308/2-336Z](#) [M24308/2-343Z](#) [M24308/24-5F](#) [70-1080](#) [73-6311-10](#) [73-6670-7](#) [PL1WC-026](#) [PL375C-201](#) [PL75-45BR](#) [PS-15206](#) [PSAC-17312](#) [PSK3616-7](#) [QM48T40033-PDB0](#) [127-0000-905](#) [127-0692-001](#) [127-2701-602](#) [ADBJ20-E1-BJ79](#) [DAMA15S](#) [ADPL75-E1-UBJ20](#) [ADRMF70](#) [ADT-2540-7M-SMM-02](#) [DCB-3510-FF-SMA-02](#) [DCDM100CS](#) [DCDM-15S6E5-36.0K](#) [DCHM15SCBRPN-HT1](#) [RFI21-13](#) [RFI75-8-D3](#) [DDM50SA156](#) [DEME9S](#) [DEMM9SM](#) [DFC10U48D12](#) [140-0000-954](#) [141-3901-802](#) [142-0233-001](#) [AM2003-9](#) [142-9404-011](#) [142-0298-001](#) [14-5642](#) [146-0701-301](#) [MS24264R10T20PY](#) [MS24264R10T2PY-LC](#) [MS24264R10T5PY-LC](#) [MS24264R10T5SY-LC](#) [MS24264R14B15SN-LC](#) [MS24264R14T15SN](#)