

THE INFORMATION CONTAINED HEREIN IS CONSIDERED "PROPRIETARY" TO BEL FUSE INC. AND SHALL NOT BE COPIED, REPRODUCED OR DISCLOSED WITHOUT THE WRITTEN APPROVAL OF BEL FUSE INC.

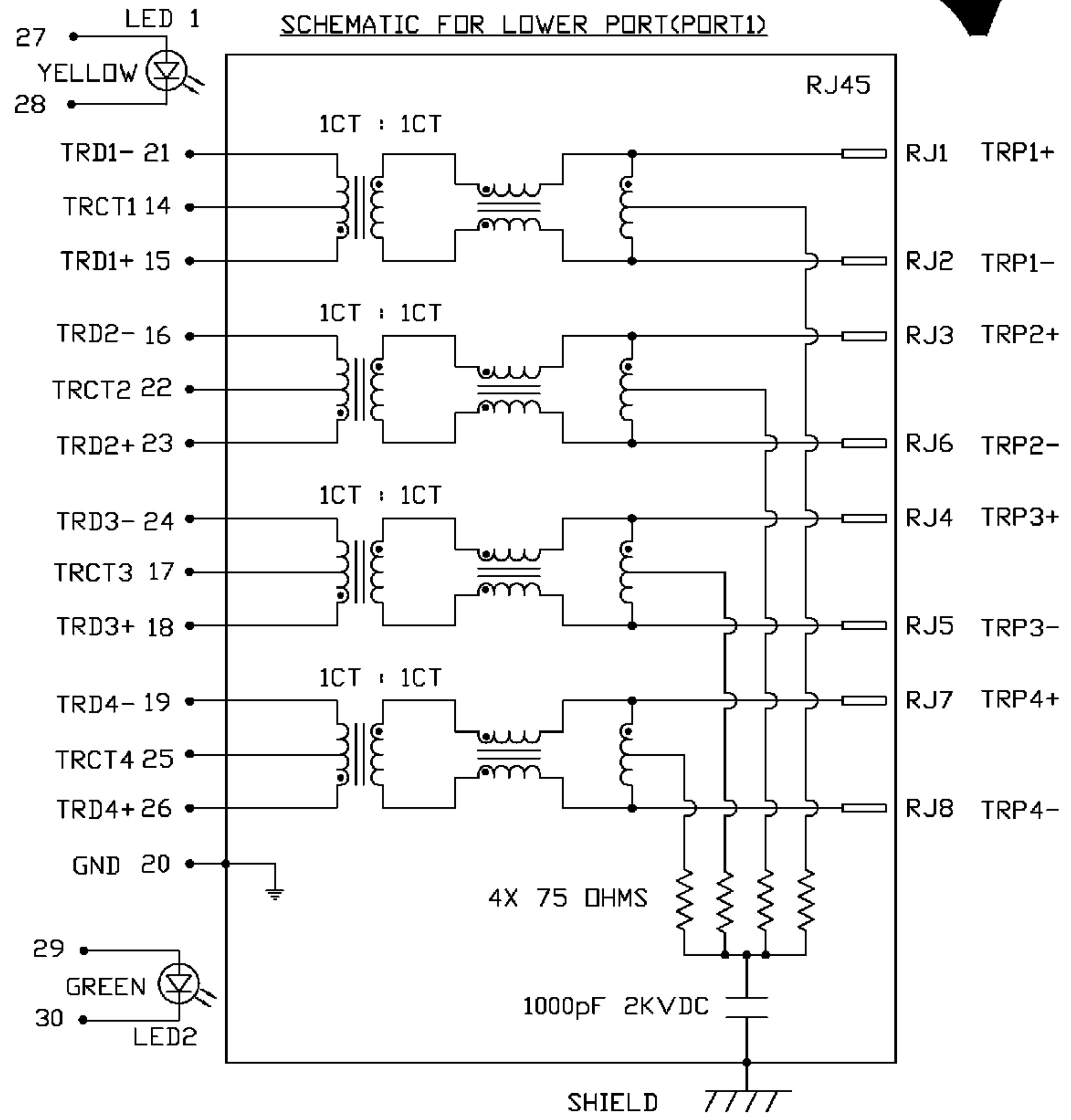
| LED 1 POLARITY | | | LED 2 POLARITY | | |
|----------------|--------|--------|----------------|--------|-------|
| PIN 27 | PIN 28 | COLOR | PIN 29 | PIN 30 | COLOR |
| + | - | YELLOW | + | - | GREEN |

PRELIMINARY



ELECTRICAL CHARACTERISTICS @ 25°C

| | |
|---|---------------------------|
| URNS RATIO | |
| TP1 | 1CT : 1CT ±2% |
| TP2 | 1CT : 1CT ±2% |
| TP3 | 1CT : 1CT ±2% |
| TP4 | 1CT : 1CT ±2% |
| CL @ 100kHz,100mVRMS | |
| 8mA DC BIAS | 350 uH MIN. |
| INS. LOSS | |
| 100kHz TO 100MHz | -11 dB MAX |
| RET. LOSS (MIN) | |
| 1MHz-30MHz | -18 dB |
| 30MHz-60MHz | -16 dB |
| 60MHz-80MHz | -14 dB |
| 80MHz-100MHz | -12 dB |
| CM TO CM REJ | |
| 100kHz - 100MHz | -25 dB TYP |
| CROSS TALK | |
| 1MHz - 60MHz | -35 dB TYP |
| 60MHz - 100MHz | -25 dB TYP |
| HIPDT (Isolation Voltage): | 1500 Vrms |
| LEAKAGE INDUCTANCE | |
| PRIMARY W/ SECONDARY SHORTED | 0.3uH Max. @ 1MHz |
| INTERWINDING CAPACITANCE | |
| PER CHANNEL (PRI. TO SEC.) | 50pF Max @ 1MHz |
| DC RESISTANCE | |
| (21-15)=(16-23)=(24-18)=(19-26) | 1.2 ohms Max |
| (RJ1-RJ2)=(RJ3-RJ6)=(RJ4-RJ5)=(RJ7-RJ8) | 1.2 ohms Max |
| LED 1 | |
| VF (FORWARD VOLTAGE) | IF=20mA YELLOW 2.1V TYP. |
| λD (DOMINANT WAVELENGTH) | IF=20mA YELLOW 590nm TYP. |
| LED 2 | |
| VF (FORWARD VOLTAGE) | IF=20mA GREEN 2.2V TYP. |
| λD (DOMINANT WAVELENGTH) | IF=20mA GREEN 565nm TYP. |



| | | | | | |
|----------------------|-------------|------------------------------------|-------------------------------|-----------------------------------|-------------------------------------|
| ORIGINATED BY | DATE | TITLE | PART NO. / DRAWING NO. | STANDARD DIM. TOL. IN INCH | [] METRIC DIM. AS REFERENCE |
| CHUNG | 12-27-05 | 2X1 gigabit MagJack® (with LED) | 0845-2D1T-E4 | .X | UNIT : INCH [mm] REV. : PC |
| DRAWN BY | DATE | | FILE NAME | .XX | SCALE : N/A SIZE : A4 |
| DE | 12-27-05 | | 08452D1TE4PC.DWG | .XXX | SCALE : N/A SIZE : A4 |
| | | | | | PAGE : 2 |



THE INFORMATION CONTAINED HEREIN IS CONSIDERED "PROPRIETARY" TO BEL FUSE INC. AND SHALL NOT BE COPIED, REPRODUCED OR DISCLOSED WITHOUT THE WRITTEN APPROVAL OF BEL FUSE INC.

| LED 3 POLARITY | | | LED 4 POLARITY | | |
|----------------|--------|--------|----------------|--------|-------|
| PIN 31 | PIN 32 | COLOR | PIN 33 | PIN 34 | COLOR |
| + | - | YELLOW | + | - | GREEN |

PRELIMINARY



ELECTRICAL CHARACTERISTICS @ 25°C

TURNS RATIO

| | |
|-----|---------------|
| TP1 | 1CT : 1CT ±2% |
| TP2 | 1CT : 1CT ±2% |
| TP3 | 1CT : 1CT ±2% |
| TP4 | 1CT : 1CT ±2% |

DCL @ 100kHz,100mVRMS

| | |
|-------------|-------------|
| 8mA DC BIAS | 350 uH MIN. |
|-------------|-------------|

INS. LOSS

| | |
|------------------|-------------|
| 100KHz TO 100MHZ | -1.1 dB MAX |
|------------------|-------------|

RET. LOSS (MIN)

| | |
|--------------|--------|
| 1MHz-30MHz | -18 dB |
| 30MHz-60MHz | -16 dB |
| 60MHz-80MHz | -14 dB |
| 80MHz-100MHz | -12 dB |

CM TO CM REJ

| | |
|-----------------|------------|
| 100kHz - 100MHZ | -25 dB TYP |
|-----------------|------------|

CROSS TALK

| | |
|----------------|------------|
| 1MHz - 60MHz | -35 dB TYP |
| 60MHz - 100MHz | -25 dB TYP |

HIPOT (Isolation Voltage): 1500 Vrms

LEAKAGE INDUCTANCE

| | |
|------------------------------|-------------------|
| PRIMARY W/ SECONDARY SHORTED | 0.3uH Max. @ 1MHz |
|------------------------------|-------------------|

INTERWINDING CAPACITANCE

| | |
|----------------------------|-----------------|
| PER CHANNEL (PRI. TO SEC.) | 50pF Max @ 1MHz |
|----------------------------|-----------------|

DC RESISTANCE

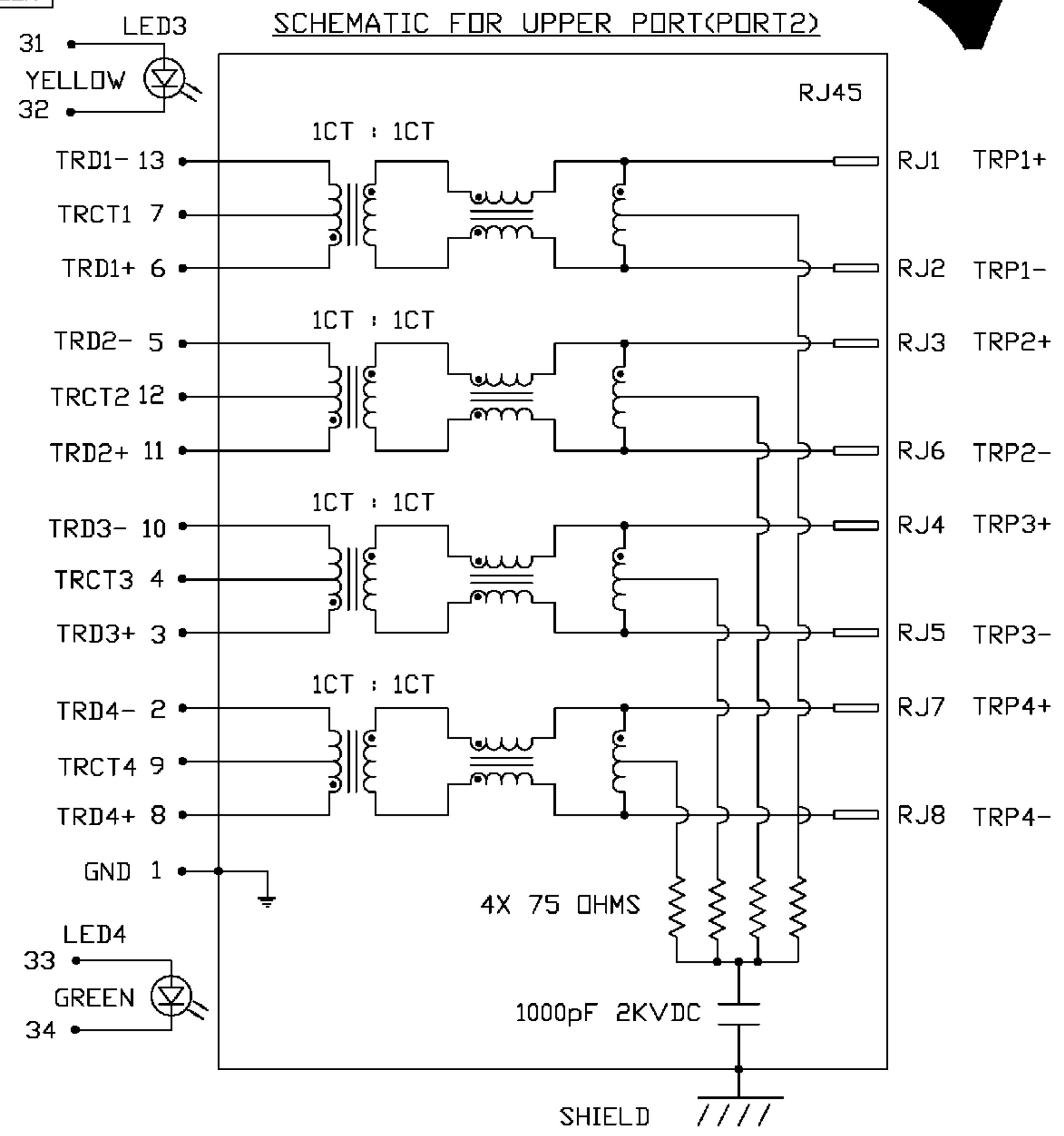
| | |
|---|--------------|
| (13-6)=(5-11)=(10-3)=(2-8) | 1.2 ohms Max |
| (RJ1-RJ2)=(RJ3-RJ6)=(RJ4-RJ5)=(RJ7-RJ8) | 1.2 ohms Max |

LED 3 (Super bright)

| | |
|--------------------------|---------------------------|
| VF (FORWARD VOLTAGE) | IF=20mA YELLOW 2.1V TYP. |
| λD (DOMINANT WAVELENGTH) | IF=20mA YELLOW 590nm TYP. |

LED 4 (Super bright)

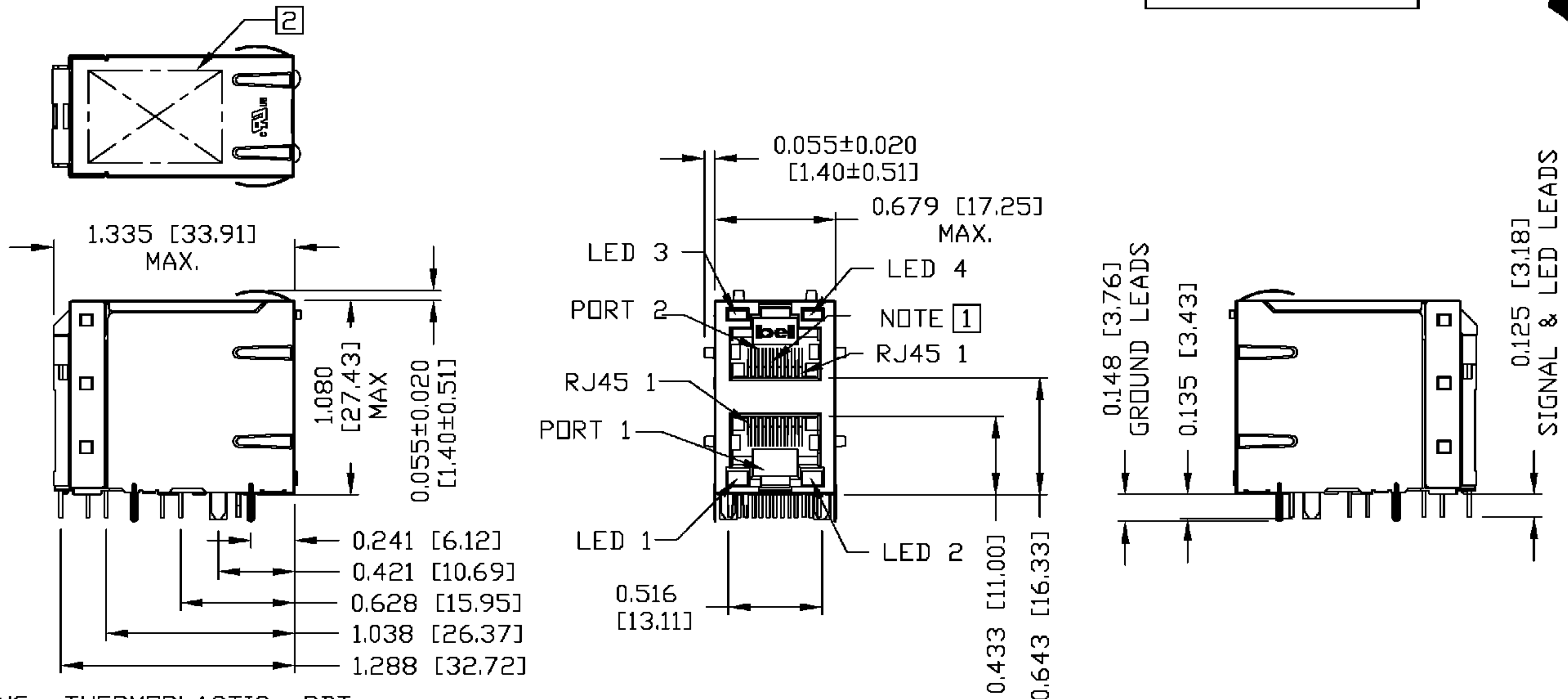
| | |
|--------------------------|--------------------------|
| VF (FORWARD VOLTAGE) | IF=20mA GREEN 2.2V TYP. |
| λD (DOMINANT WAVELENGTH) | IF=20mA GREEN 565nm TYP. |



| | | | | | | | |
|-------------------------------|-------------------------|--|---|--|-------------------------------------|-----------|---------------------------------------|
| ORIGINATED BY CHUNG | DATE 12-27-05 | TITLE 2X1 gigabit MagJack® (with LED) | PART NO. / DRAWING NO. 0845-2D1T-E4 | STANDARD DIM. TOL. IN INCH .X .XX .XXX | [] METRIC DIM. AS REFERENCE | | COMPONENTS FOR A CONNECTED PLANET |
| DRAWN BY DE | DATE 12-27-05 | | FILE NAME 08452D1TE4PC.DWG | | UNIT : INCH [mm] | REV. : PC | |
| | | | | SCALE : N/A | SIZE : A4 | | |
| | | | | | PAGE : 3 | | |

THE INFORMATION CONTAINED HEREIN IS CONSIDERED "PROPRIETARY" TO BEL FUSE INC. AND SHALL NOT BE COPIED, REPRODUCED OR DISCLOSED WITHOUT THE WRITTEN APPROVAL OF BEL FUSE INC.

PRELIMINARY



NOTES:
 PLASTIC HOUSING: THERMOPLASTIC PBT
 FLAMMABILITY RATING UL 94V-0
 CONTACT PLATING: 50 MICRO-INCH HARD GOLD PLATING
 OUTPUT PINS: TIN-COATED COPPER WIRE, DIA 0.018 INCH.
 METAL SHIELD: NICKEL PLATED ON COPPER ALLOY.
 (ALL GROUND LEADS ARE SOLDER DIPPED)

RoHS COMPLIANCE, PER EU DIRECTIVE 2002/95/EC.
 [1] JACK CAVITY CONFORMS TO FCC RULES AND REGULATIONS, PART 68 SUBPART F.
 [2] MARK PART WITH MFG LOGO, MFG NAME, PART NUMBER, AND DATE CODE.

UL RECOGNIZED - FILE #E196366 AND E169987.

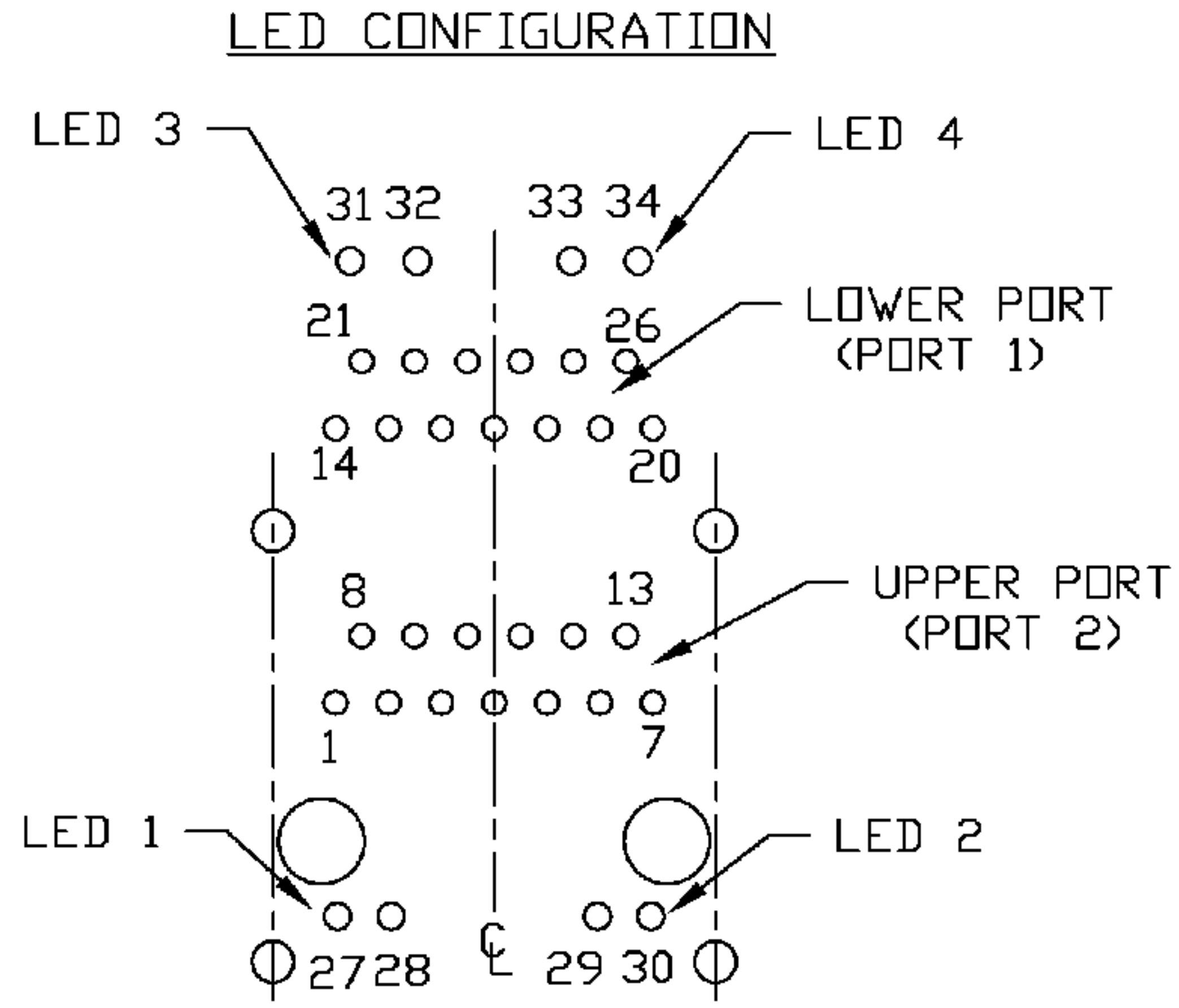
| | | | | | |
|---------------|----------|------------------------------------|------------------------|----------------------------|------------------------------|
| ORIGINATED BY | DATE | TITLE | PART NO. / DRAWING NO. | STANDARD DIM. TOL. IN INCH | [] METRIC DIM. AS REFERENCE |
| BILL\KEUNG | 12-27-05 | 2X1 gigabit MagJack® (with LED) | 0845-2D1T-E4 | .X | UNIT : INCH [mm] REV. : PC |
| DRAWN BY | DATE | | FILE NAME | .XX | SCALE : N/A SIZE : A4 |
| QIN | 12-27-05 | | 08452D1TE4PC.DWG | .XXX ±0.010 | ⊕ PAGE : 4 |



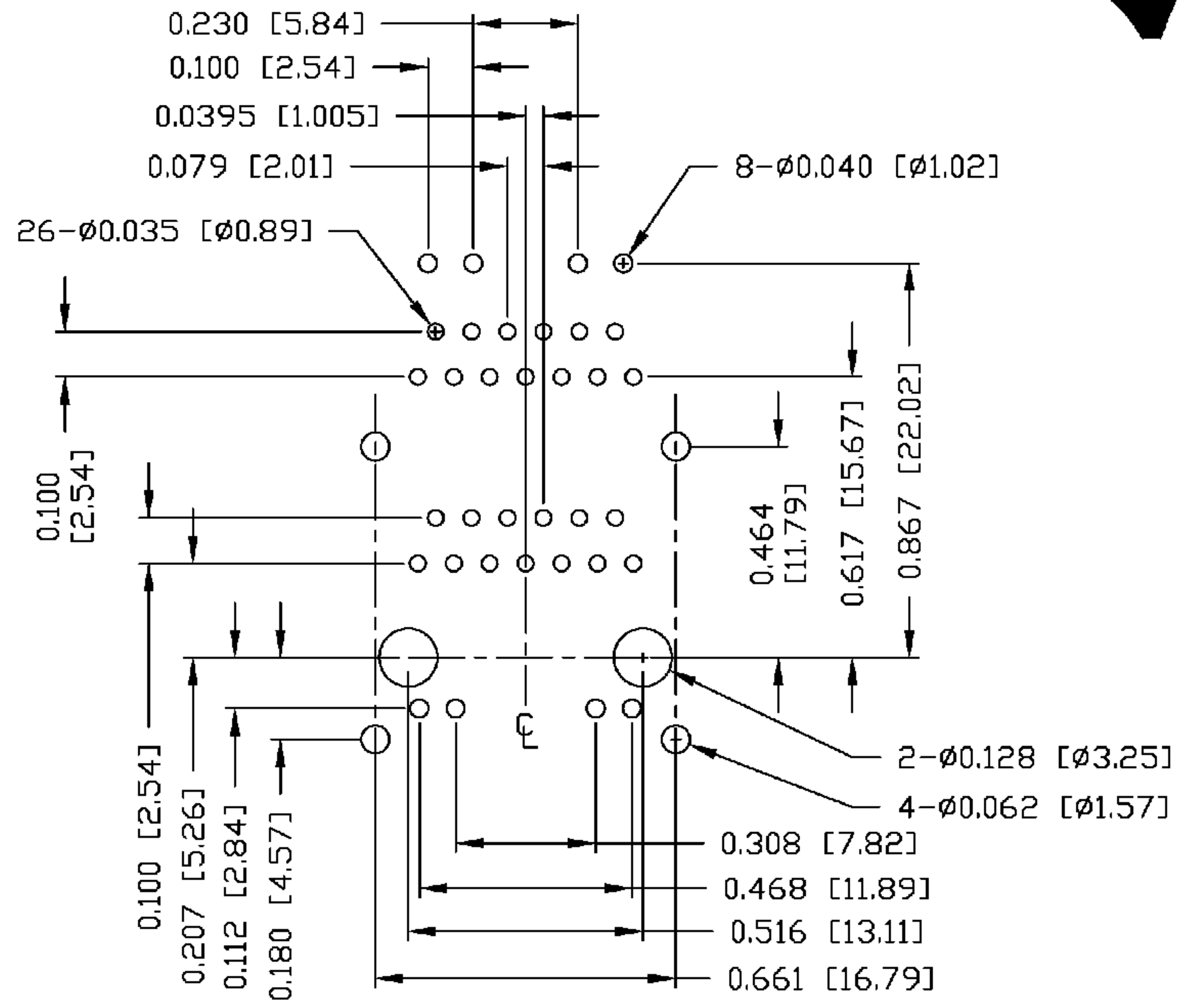
THE INFORMATION CONTAINED HEREIN IS CONSIDERED "PROPRIETARY" TO BEL FUSE INC. AND SHALL NOT BE COPIED, REPRODUCED OR DISCLOSED WITHOUT THE WRITTEN APPROVAL OF BEL FUSE INC.



PRELIMINARY



PIN-OUT INFORMATION
(COMPONENT SIDE VIEW)
(SCALE 2:1)



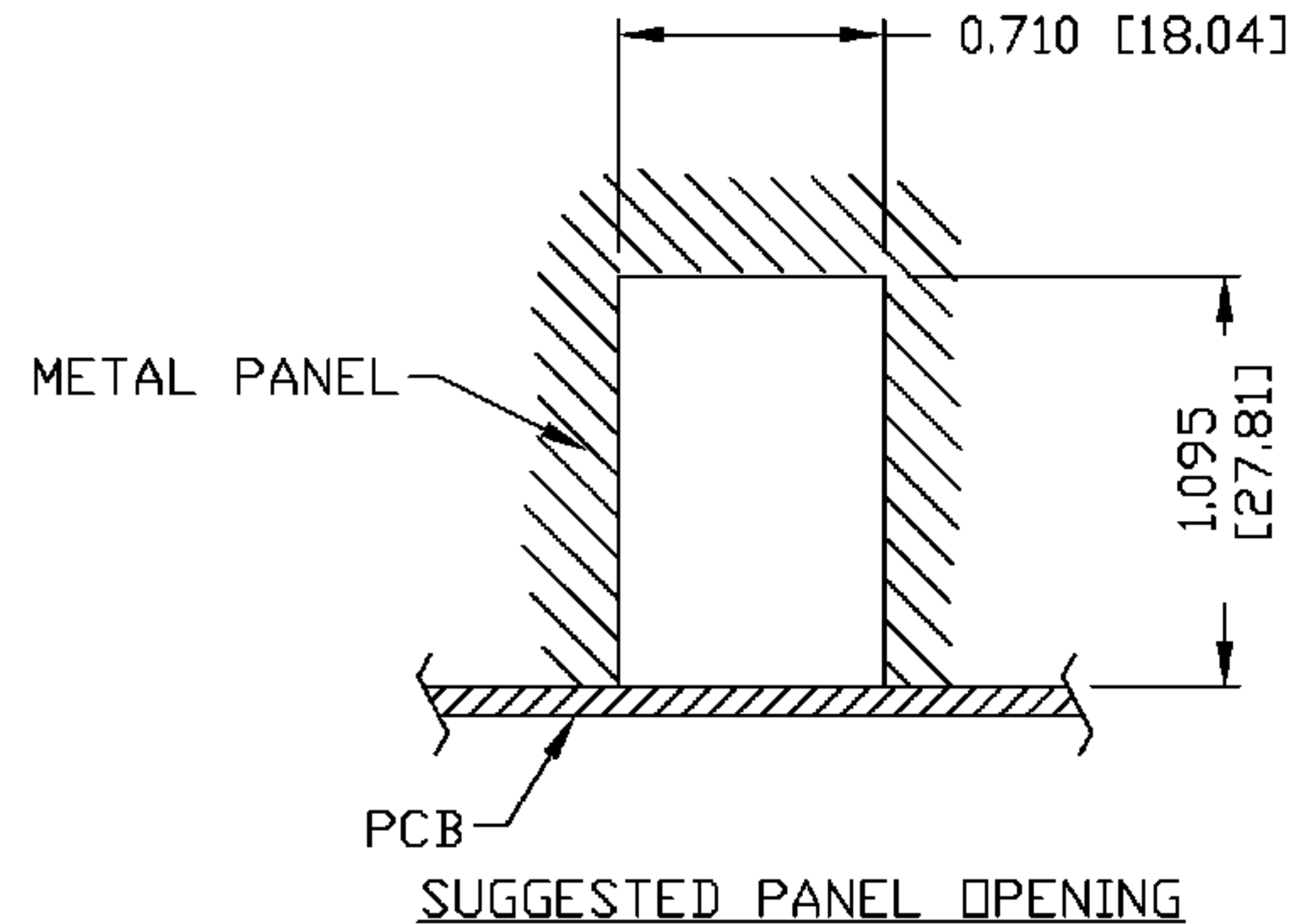
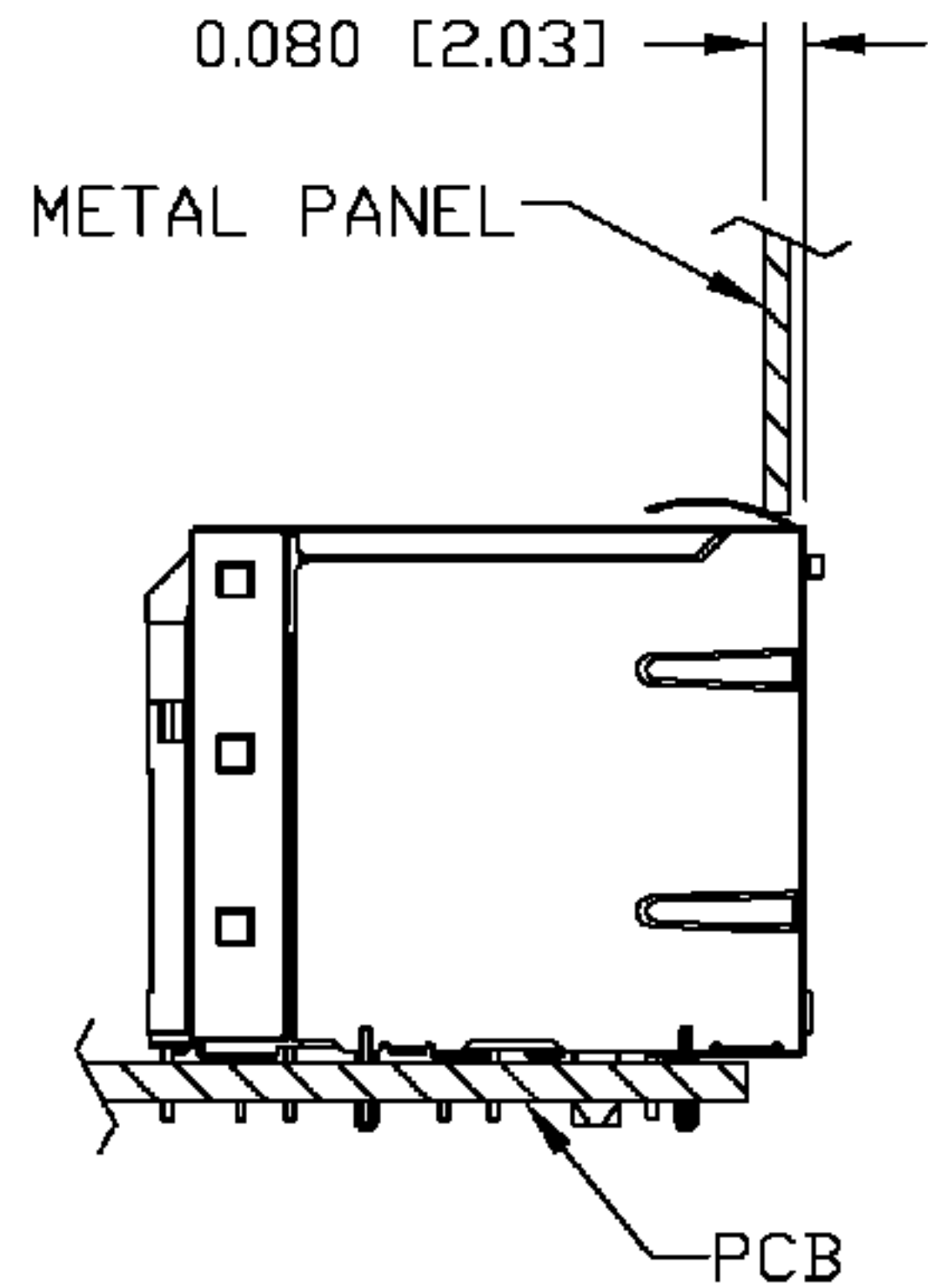
SUGGESTED FOOTPRINT
(COMPONENT SIDE VIEW)
(SCALE 2:1)

| | | | | | |
|---------------|----------|------------------------------------|------------------------|----------------------------|------------------------------|
| ORIGINATED BY | DATE | TITLE | PART NO. / DRAWING NO. | STANDARD DIM. TOL. IN INCH | [] METRIC DIM. AS REFERENCE |
| BILL \KEUNG | 12-27-05 | 2X1 gigabit MagJack® (with LED) | 0845-2D1T-E4 | .X | UNIT : INCH [mm] REV. : PC |
| DRAWN BY | DATE | | FILE NAME | .XX | SCALE : N/A SIZE : A4 |
| QIN | 12-27-05 | | 08452D1TE4PC.DWG | .XXX ±0.004 | PAGE : 5 |



THE INFORMATION CONTAINED HEREIN IS CONSIDERED "PROPRIETARY" TO BEL FUSE INC. AND SHALL NOT BE COPIED, REPRODUCED OR DISCLOSED WITHOUT THE WRITTEN APPROVAL OF BEL FUSE INC.

PRELIMINARY



NOTE:
 THE DISTANCE OF PANEL INSIDE SURFACE RELATIVE TO FRONT SURFACE OF PART IS ONLY A SUGGESTION. IN CASE THIS DISTANCE IS DIFFERENT, THE REQUIRED PANEL OPENING DIMENSIONS CHANGE ACCORDINGLY.

PACKING INFORMATION

PACKING TRAY: 0200-9999-H5 (TOP)
 0200-9999-H6 (BOTTOM)
 PACKING QUANTITY: 40 PCS FINISHED GOODS PER TRAY
 6 TRAYS (240 PCS FINISHED GOODS) PER CARTON BOX.

NOTE: CARDBOARD ARE PLACED BETWEEN LAYERS OF PACKING TRAY INSIDE CARTON BOX.
 (INCLUDE THE UPPERMOST AND LOWEREST TRAY)

| | | | | | |
|---------------|----------|------------------------------------|------------------------|----------------------------|------------------------------|
| ORIGINATED BY | DATE | TITLE | PART NO. / DRAWING NO. | STANDARD DIM. TOL. IN INCH | [] METRIC DIM. AS REFERENCE |
| BILL\KEUNG | 12-27-05 | 2X1 gigabit MagJack® (with LED) | 0845-2D1T-E4 | .X | UNIT : INCH [mm] REV. : PC |
| DRAWN BY | DATE | | FILE NAME | .XX | SCALE : N/A SIZE : A4 |
| QIN | 12-27-05 | | 08452D1TE4PC.DWG | .XXX ±0.004 | ⊕ PAGE : 6 |



X-ON Electronics

Largest Supplier of Electrical and Electronic Components

Click to view similar products for [Modular Connectors / Ethernet Connectors](#) category:

Click to view products by [Bel Fuse](#) manufacturer:

Other Similar products are found below :

[8949-H88/06BLKA/SN](#) [74441-0010/BKN](#) [MP1010RX-1000](#) [MP44RX-1000](#) [PHJ-4P4C-1-V-4](#) [PHP-6P6C-5](#) [GAX-3-66](#) [GAX-8-62](#) [GDCX-PA-66-50](#) [GDCX-PN-64](#) [GDCX-PN-66](#) [GDCX-PN-66-50](#) [GDLX-A-66](#) [GDLX-N-66](#) [GDLX-S-66](#) [GDLX-S-88K](#) [GDLX-SMT-S-88](#) [GDTX-S-88-50](#) [GDX-PA-1010](#) [GLX-N-1010M-BLK](#) [GLX-S-88M-BLK](#) [GMX-N-1010](#) [GMX-S-1010](#) [GMX-S-66](#) [GMX-SMT4-N-88](#) [GPX-2-64](#) [GSGX-N-2-88](#) [GSGX-N-4-88](#) [GSX-NS2-88-3.05](#) [GSX-NS2-88-3.05-50](#) [GSX-NS-88-3.05-50](#) [PT-108A-8C-UL](#) [PT-J951-8C](#) [PTS-J531-8CS-50UL](#) [1-1775629-2](#) [A-2014-0-4](#) [GWLX-S-88-GR](#) [GWLX-S9-88-YG](#) [DC-1021-8-WH-6](#) [1300530003](#) [1324640-4](#) [RJ11FTVC2G](#) [RJ11FTVC2N](#) [RJFTVX2SA1G](#) [132764-001](#) [1413235](#) [MP88X-1000](#) [MPS88RX-5000](#) [E5288-S000K3-L](#) [E5908-15A242-L](#)