

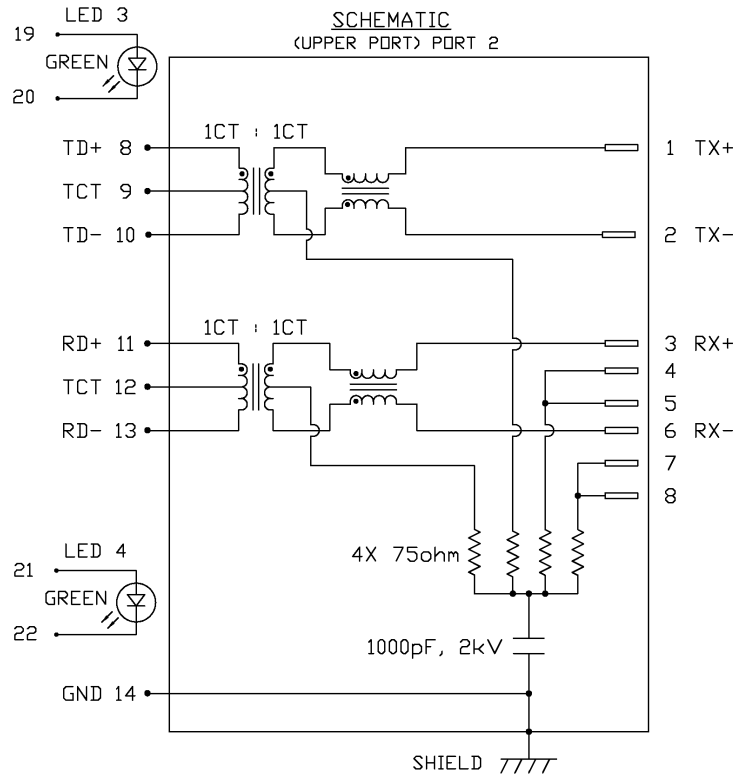
THE INFORMATION CONTAINED HEREIN IS CONSIDERED "PROPRIETARY" TO BEL FUSE INC. AND SHALL NOT BE COPIED, REPRODUCED OR DISCLOSED WITHOUT THE WRITTEN APPROVAL OF BEL FUSE INC.

LED 3 POLARITY			LED 4 POLARITY		
PIN 19	PIN 20	COLOR	PIN 21	PIN 22	COLOR
+	-	GREEN	+	-	GREEN



ELECTRICAL CHARACTERISTICS @ 25°C

URNS RATIO	
TX	1CT : 1CT ±3%
RX	1CT : 1CT ±3%
DCL @ 100kHz/100mVRMS	
8mA DC BIAS	350µH MIN.
INS. LOSS	
1MHZ TO 100MHZ	-1.0 dB MAX
RET. LOSS (MIN)	
1MHZ-30MHZ	-18 dB
30MHZ-60MHZ	-18+20LOG(F/30MHZ) dB
60MHZ-80MHZ	-12 dB
CROSS TALK (TX - RX)	
500kHz-1MHz	-70 dB MIN
10 MHz	-50 dB MIN
30 MHz	-45 dB MIN
50 MHz	-40 dB MIN
100 MHz	-35 dB MIN
CM TO CM REJ	
100kHz-1MHz	-70 dB MIN
10 MHz	-47 dB MIN
30 MHz	-42 dB MIN
60 MHz	-37 dB MIN
100 MHz	-30 dB MIN
CM TO DM REJ	
100kHz-1MHz	-70 dB MIN
10 MHz	-60 dB MIN
30 MHz	-50 dB MIN
60 MHz	-45 dB MIN
100 MHz	-40 dB MIN
HIPDT (Isolation Voltage):	1500 Vrms
LED 3 & LED 4 (Super bright)	
VF (FORWARD VOLTAGE)	IF=20mA GREEN 2.2V TYP.
λD (DOMINANT WAVELENGTH)	IF=20mA GREEN 565nm TYP.



ORIGINATED BY	DATE	TITLE	PART NO. / DRAWING NO.	STANDARD DIM. TOL. IN INCH	[] METRIC DIM. AS REFERENCE
CHUNG	12-14-05	2X1 MagJack® (with LED)	0845-2G1T-H5	.X	UNIT : INCH [mm]
DRAWN BY	DATE		FILE NAME	.XX	SCALE : N/A
DE	12-14-05		08452G1TH5B.DWG	.XXX	SIZE : A4
					PAGE : 2



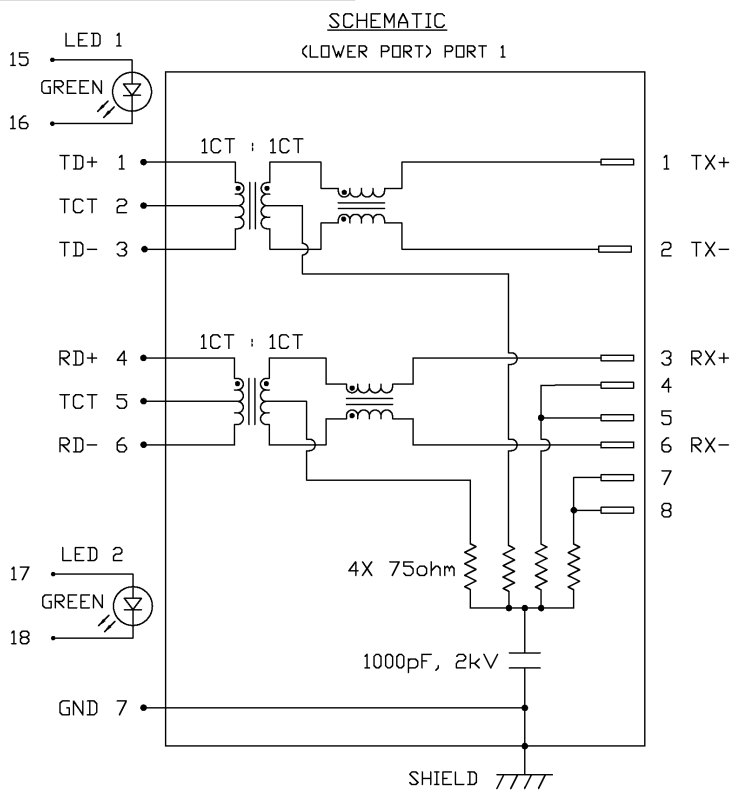
THE INFORMATION CONTAINED HEREIN IS CONSIDERED 'PROPRIETARY' TO BEL FUSE INC. AND SHALL NOT BE COPIED, REPRODUCED OR DISCLOSED WITHOUT THE WRITTEN APPROVAL OF BEL FUSE INC.

LED 1 POLARITY			LED 2 POLARITY		
PIN 15	PIN 16	COLOR	PIN 17	PIN 18	COLOR
+	-	GREEN	+	-	GREEN



ELECTRICAL CHARACTERISTICS @ 25°C

<p>URNS RATIO TX 1CT : 1CT ±3% RX 1CT : 1CT ±3%</p> <p>CL @ 100kHz/100mVRMS 8mA DC BIAS 350µH MIN.</p> <p>INS. LOSS 1MHz TO 100MHz -1.0 dB MAX</p> <p>RET. LOSS (MIN) 1MHz-30MHz -18 dB 30MHz-60MHz -18+20LOG(F/30MHz) dB 60MHz-80MHz -12 dB</p> <p>CROSS TALK (TX - RX) 500kHz-1MHz -70 dB MIN 10 MHz -50 dB MIN 30 MHz -45 dB MIN 50 MHz -40 dB MIN 100 MHz -35 dB MIN</p> <p>CM TO CM REJ 100kHz-1MHz -70 dB MIN 10 MHz -47 dB MIN 30 MHz -42 dB MIN 60 MHz -37 dB MIN 100 MHz -30 dB MIN</p> <p>CM TO DM REJ 100kHz-1MHz -70 dB MIN 10 MHz -60 dB MIN 30 MHz -50 dB MIN 60 MHz -45 dB MIN 100 MHz -40 dB MIN</p> <p>HIPDT (Isolation Voltage): 1500 Vrms LED 1 & LED 2 V_F (FORWARD VOLTAGE) IF=20mA GREEN 2.2V TYP. λ_D (DOMINANT WAVELENGTH) IF=20mA GREEN 565nm TYP.</p>	
---	--

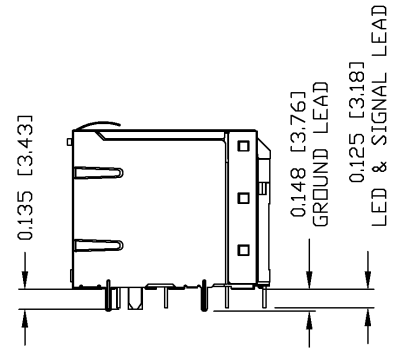
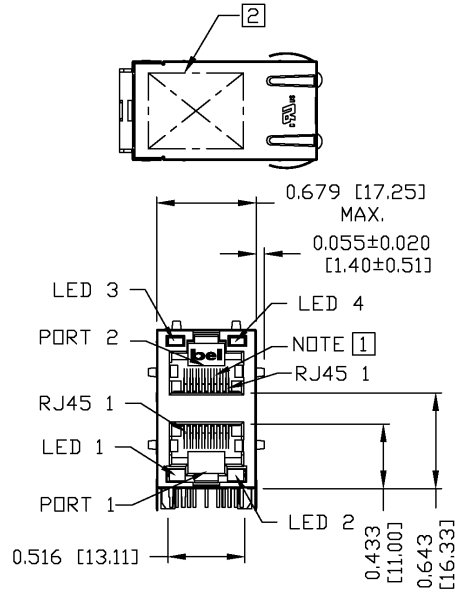
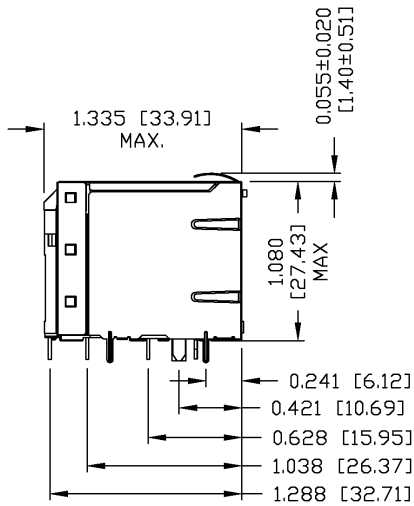


ORIGINATED BY CHUNG	DATE 12-14-05	TITLE 2X1 MagJack® (with LED)	PART NO. / DRAWING NO. 0845-2G1T-H5	STANDARD DIM. TOL. IN INCH .X .XX .XXX	[] METRIC DIM. AS REFERENCE UNIT : INCH [mm] SCALE : N/A	REV. : B SIZE : A4 PAGE : 3	 COMPONENTS ARE A CONNECTED PLANET
DRAWN BY DE	DATE 12-14-05		FILE NAME 08452G1TH5B.DWG				

DC002(2)032305

This document is electronically generated. This is a controlled copy if used internally

THE INFORMATION CONTAINED HEREIN IS CONSIDERED "PROPRIETARY" TO BEL FUSE INC. AND SHALL NOT BE COPIED, REPRODUCED OR DISCLOSED WITHOUT THE WRITTEN APPROVAL OF BEL FUSE INC.



NOTES:

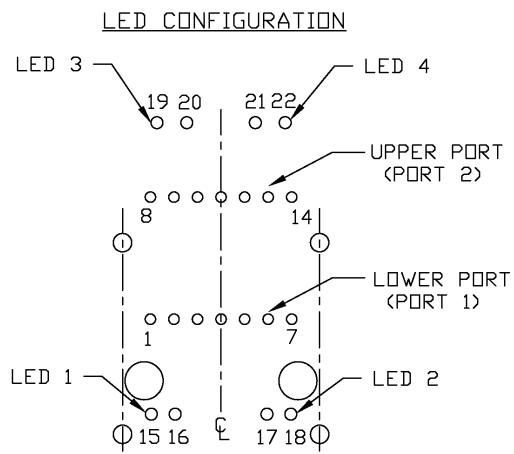
- PLASTIC HOUSING: THERMOPLASTIC PBT
FLAMMABILITY RATING UL 94V-0
- CONTACT PLATING: 50 MICRO-INCH HARD GOLD PLATING
- OUTPUT PINS: TIN-COATED COPPER WIRE, DIA 0.018 INCH.
- METAL SHIELD: NICKEL PLATED ON COPPER ALLOY.
(ALL GROUND LEADS ARE SOLDER DIPPED)

- [1] JACK CAVITY CONFORMS TO FCC RULES AND REGULATIONS, PART 68 SUBPART F.
- [2] MARK PART WITH MFG LOGO, MFG NAME, PART NUMBER, AND DATE CODE.

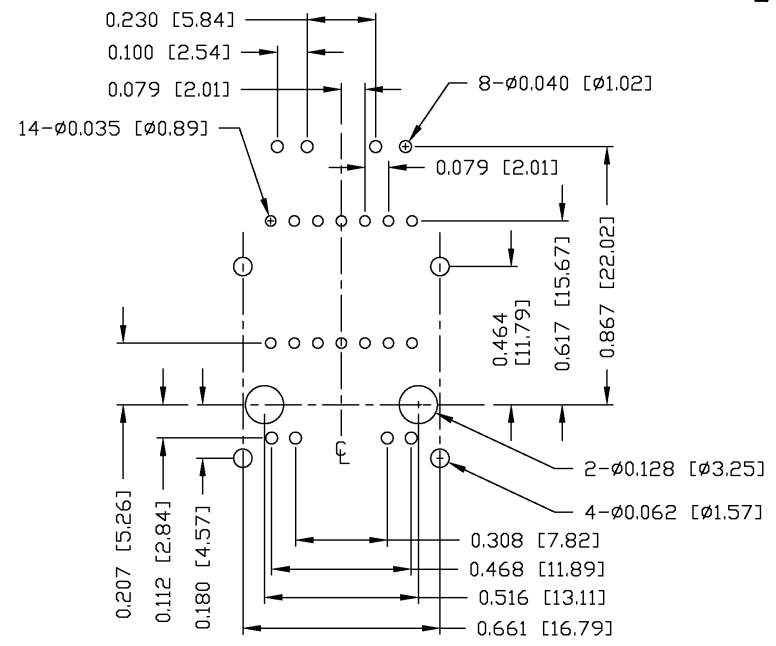
RoHS COMPLIANCE, PER EU DIRECTIVE 2002/95/EC.
 US UL RECOGNIZED - FILE #E196366 AND E169987.

ORIGINATED BY BILL/KEUNG	DATE 12-14-05	TITLE 2X1 MagJack® (with LED)	PART NO. / DRAWING NO. 0845-2G1T-H5	STANDARD DIM. TOL. IN INCH	[] METRIC DIM. AS REFERENCE
DRAWN BY QIN	DATE 12-14-05		FILE NAME 08452G1TH5B.DWG	.X .XX .XXX ±0.010	UNIT : INCH [mm] SCALE : N/A PAGE : 4
					bel <small>COMPONENTS ARE A CONNECTED PLANET</small>

THE INFORMATION CONTAINED HEREIN IS CONSIDERED "PROPRIETARY" TO BEL FUSE INC. AND SHALL NOT BE COPIED, REPRODUCED OR DISCLOSED WITHOUT THE WRITTEN APPROVAL OF BEL FUSE INC.



PIN-OUT INFORMATION
(COMPONENT SIDE VIEW)
(SCALE 2:1)



SUGGESTED FOOTPRINT
(COMPONENT SIDE VIEW)
(SCALE 2:1)

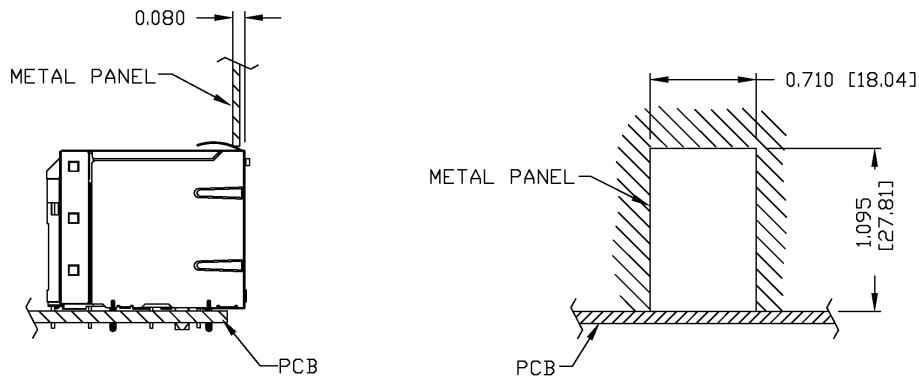
ORIGINATED BY BILL/KEUNG	DATE 12-14-05	TITLE 2X1 MagJack® (with LED)	PART NO. / DRAWING NO. 0845-2G1T-H5	STANDARD DIM. TOL. IN INCH	[] METRIC DIM. AS REFERENCE
	DRAWN BY QIN		DATE 12-14-05	FILE NAME 08452G1TH5B.DWG	.X .XX .XXX ±0.004
					SIZE : A4 PAGE : 5



THE INFORMATION CONTAINED HEREIN IS CONSIDERED "PROPRIETARY" TO BEL FUSE INC. AND SHALL NOT BE COPIED, REPRODUCED OR DISCLOSED WITHOUT THE WRITTEN APPROVAL OF BEL FUSE INC.



SUGGESTED PANEL OPENING



NOTE:

THE DISTANCE OF PANEL INSIDE SURFACE RELATIVE TO FRONT SURFACE OF PART IS ONLY A SUGGESTION. IN CASE THIS DISTANCE IS DIFFERENT, THE REQUIRED PANEL OPENING DIMENSIONS CHANGE ACCORDINGLY.

PACKING INFORMATION

PACKING TRAY: 0200-9999-H5 (TOP)
0200-9999-H6 (BOTTOM)

PACKING QUANTITY: 40 PCS FINISHED GOODS PER TRAY
6 TRAYS (240 PCS FINISHED GOODS) PER CARTON BOX.

NOTE: CARDBOARD ARE PLACED BETWEEN LAYERS OF PACKING TRAY INSIDE CARTON BOX.
(INCLUDE THE UPPERMOST AND LOWEREST TRAY)

ORIGINATED BY	DATE	TITLE	PART NO. / DRAWING NO.	STANDARD DIM.		[] METRIC DIM. AS REFERENCE		bel
BILL/KEUNG	12-14-05			TOL. IN INCH		UNIT : INCH [mm]	REV. : B	
DRAWN BY	DATE	2X1 MagJack® (with LED)	FILE NAME	.X	SCALE : N/A	SIZE : A4	PAGE : 6	
QIN	12-14-05			08452G1TH5B.DWG				.XX

X-ON Electronics

Largest Supplier of Electrical and Electronic Components

Click to view similar products for [Modular Connectors / Ethernet Connectors](#) category:

Click to view products by [Bel Fuse](#) manufacturer:

Other Similar products are found below :

[8949-H88/06BLKA/SN](#) [74441-0010/BKN](#) [MP1010RX-1000](#) [MP44RX-1000](#) [PHJ-4P4C-1-V-4](#) [PHP-6P6C-5](#) [GAX-3-66](#) [GAX-8-62](#) [GDCX-PA-66-50](#) [GDCX-PN-64](#) [GDCX-PN-66](#) [GDCX-PN-66-50](#) [GDLX-A-66](#) [GDLX-N-66](#) [GDLX-S-66](#) [GDLX-S-88K](#) [GDLX-SMT-S-88](#) [GDTX-S-88-50](#) [GDX-PA-1010](#) [GLX-N-1010M-BLK](#) [GLX-S-88M-BLK](#) [GMX-N-1010](#) [GMX-S-1010](#) [GMX-S-66](#) [GMX-SMT4-N-88](#) [GPX-2-64](#) [GSGX-N-2-88](#) [GSGX-N-4-88](#) [GSX-NS2-88-3.05](#) [GSX-NS2-88-3.05-50](#) [GSX-NS-88-3.05-50](#) [PT-108A-8C-UL](#) [PT-J951-8C](#) [PTS-J531-8CS-50UL](#) [1-1775629-2](#) [A-2014-0-4](#) [GWLX-S-88-GR](#) [GWLX-S9-88-YG](#) [DC-1021-8-WH-6](#) [1300530003](#) [1324640-4](#) [RJ11FTVC2G](#) [RJ11FTVC2N](#) [RJFTVX2SA1G](#) [132764-001](#) [1413235](#) [MP88X-1000](#) [MPS88RX-5000](#) [E5288-S000K3-L](#) [E5908-15A242-L](#)