

THE INFORMATION CONTAINED HEREIN IS CONSIDERED "PROPRIETARY" TO BEL FUSE INC. AND SHALL NOT BE COPIED, REPRODUCED OR DISCLOSED WITHOUT THE WRITTEN APPROVAL OF BEL FUSE INC.

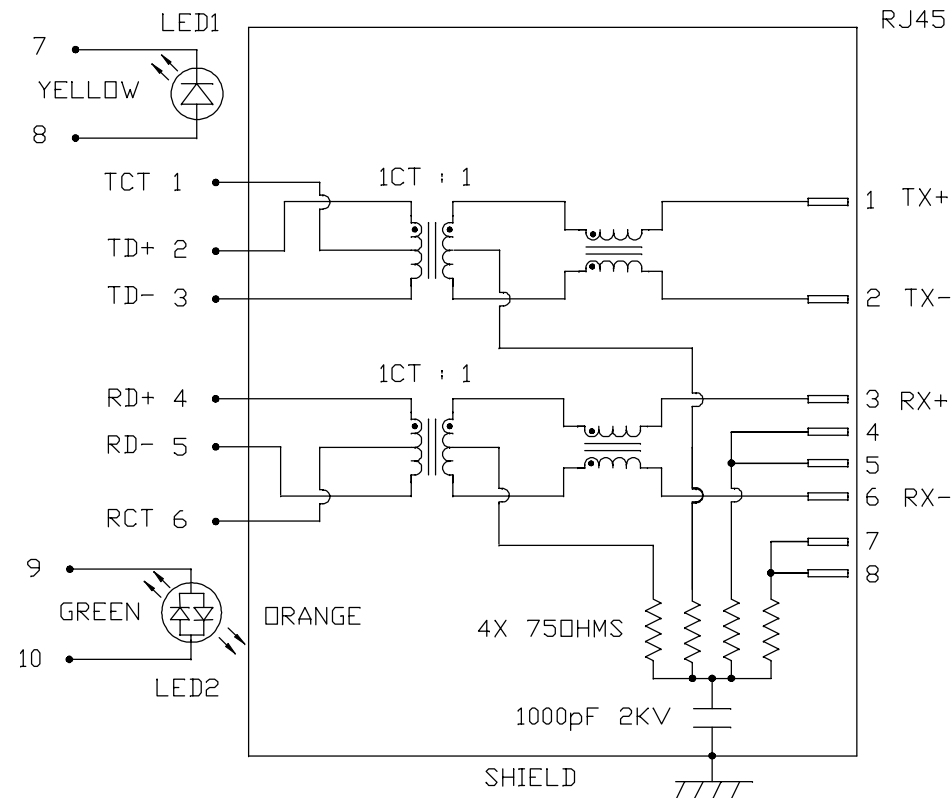
LED1 POLARITY			LED2 POLARITY		
PIN 7	PIN 8	COLOR	PIN 9	PIN 10	COLOR
-	+	YELLOW	+	-	ORANGE
/	/	/	-	+	GREEN



ELECTRICAL CHARACTERISTICS @ 25°C

TRANSFORMER RATIO	
TX	1CT : 1
RX	1CT : 1
OCV @ 100kHz/100mVRMS	
8mA DC BIAS	350µH MIN.
INS. LOSS	
1MHZ TO 100MHZ	-1.0 dB MAX
RET. LOSS (MIN)	
1MHZ-30MHZ	-18 dB
30MHZ-60MHZ	-18+20LOG(F/30MHZ) dB
60MHZ-80MHZ	-12 dB
CROSS TALK (TX - RX)	
500kHz-1MHZ	-70 dB MIN
10 MHz	-50 dB MIN
30 MHz	-45 dB MIN
50 MHz	-40 dB MIN
100 MHz	-35 dB MIN
CM TO CM REJ	
100kHz-1MHZ	-70 dB MIN
10 MHz	-47 dB MIN
30 MHz	-42 dB MIN
60 MHz	-37 dB MIN
100 MHz	-30 dB MIN
CM TO DM REJ	
100kHz-1MHZ	-70 dB MIN
10 MHz	-60 dB MIN
30 MHz	-50 dB MIN
60 MHz	-45 dB MIN
100 MHz	-40 dB MIN
HIPOT (Isolation Voltage):	1500 Vrms
100% OF PRODUCTION TESTED TO COMPLY WITH IEEE 802.3 ISOLATION REQUIREMENTS.	
OPERATING TEMPERATURE: 0°C TO +70°C.	

SCHEMATIC



LED 1	VF (FORWARD VOLTAGE)	IF=20mA	YELLOW 2.1V TYP.
	λD (DOMINANT WAVELENGTH)	IF=20mA	YELLOW 590nm TYP.
LED 2	VF (FORWARD VOLTAGE)	IF=20mA	ORANGE 2.0V TYP.
	λD (DOMINANT WAVELENGTH)	IF=20mA	ORANGE 605nm TYP.
			GREEN 2.2V TYP.
			GREEN 570nm TYP.

REV. : F PAGE : 2

ORIGINATED BY  
CHOW WANCHUNG  
DATE 2017-03-06  
DRAWN BY  
XIE YIMING  
DATE 2017-03-06

TITLE  
MagJack®  
(4 Cores, MDIX, CM Termination)  
08B0-1X1T-06-F

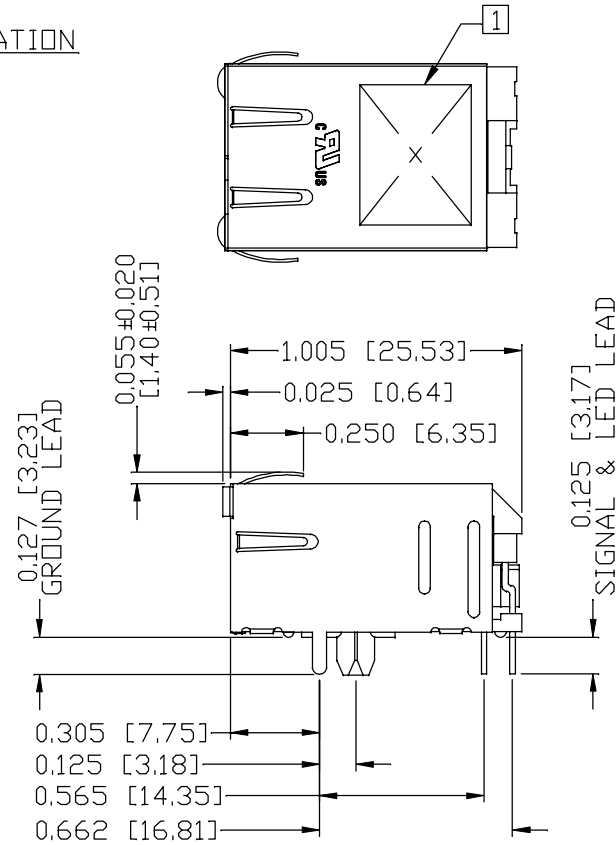
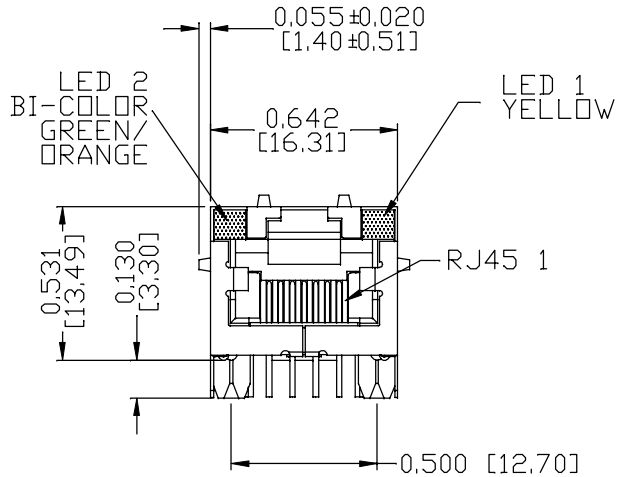
PART NO. / DRAWING NO.  
08B01X1T06-F  
FILE NAME  
08B01X1T06-F\_F.DWG

STANDARD DIM. TOL. IN INCH	[ ] METRIC DIM. AS REF.
.X	UNIT : INCH [mm]
.XX	SCALE : N/A
.XXX	SIZE : A4



THE INFORMATION CONTAINED HEREIN IS CONSIDERED "PROPRIETARY" TO BEL FUSE INC. AND SHALL NOT BE COPIED, REPRODUCED OR DISCLOSED WITHOUT THE WRITTEN APPROVAL OF BEL FUSE INC.

MECHANICAL SPECIFICATION



NOTES:

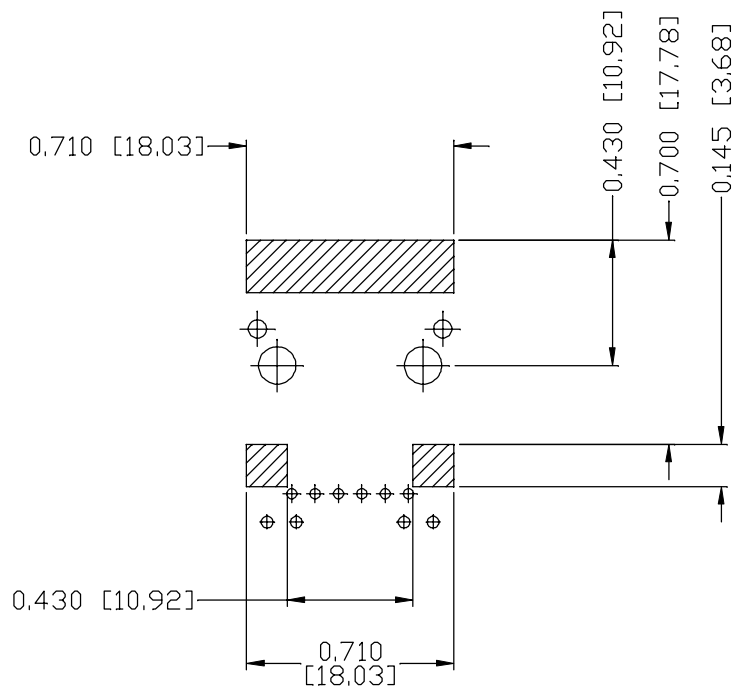
- PLASTIC HOUSING: THERMOPLASTIC PBT, BLACK  
FLAMMABILITY RATING UL 94V-0
- CONTACTS PLATING: 15 MICRO-INCH HARD GOLD PLATING OR EQUIVALENT
- PINS: TIN-COATED COPPER WIRE, DIA 0.018 INCH,  
100 MICRO-INCH MIN MATTE TIN, PINS ARE SOLDER DIPPED,
- METAL SHIELD: PRE-PLATED NICKEL ON COPPER ALLOY,  
(ALL GROUND LEADS ARE SOLDER DIPPED)
- MARK PART WITH MFG LOGO, MFG NAME, PART NUMBER AND DATE CODE.
- UL RECOGNIZED - FILE #E196366 AND E169987.
- 2. THE PRODUCT IS RoHS COMPLIANT.
- 3. JACK CAVITY CONFORMS TO FCC RULES AND REGULATIONS,  
PART 68 SUBPART F.

5. THE PART IS RECOMMENDED FOR WAVE SOLDERING. THE SUGGESTED PEAK WAVE SOLDERING CONDITION IS 260°C MAX AND 10 SECONDS MAX.

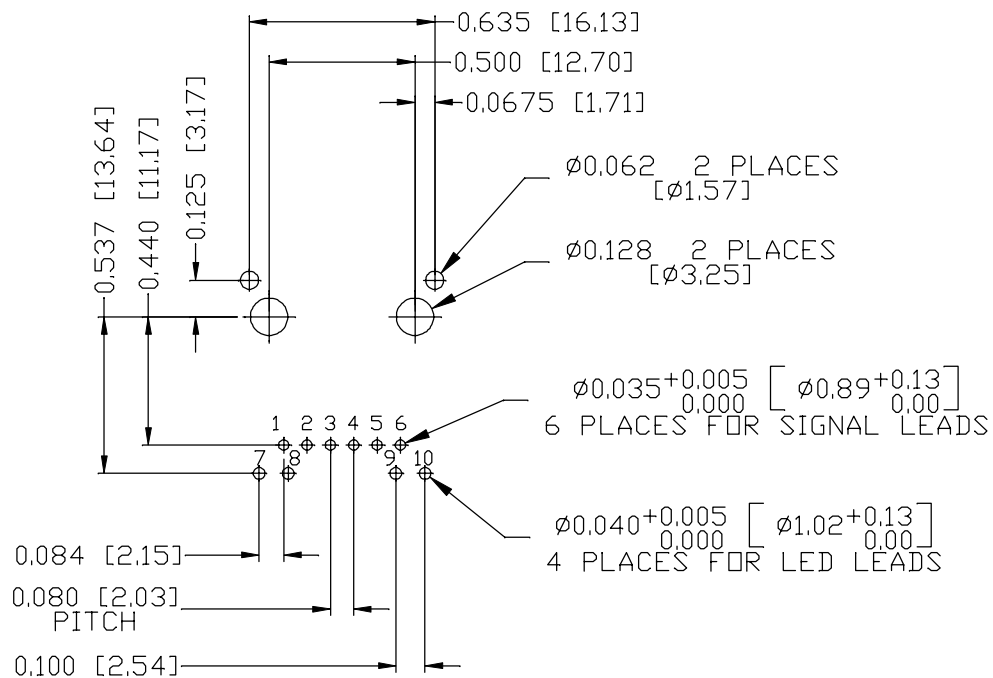
ORIGINATED BY ANTON LIAO		TITLE MagJack® (4 Cores, MDIX, CM Termination)		PART NO. / DRAWING NO. 08B01X1T06-F		STANDARD DIM. TOL. IN INCH		[ ] METRIC DIM. AS REF.		REV. : F	PAGE : 3
DATE 2017-03-06				FILE NAME 08B01X1T06-F_F.DWG		.X		UNIT : INCH [mm]			
DRAWN BY JESSE LI						.XX		SCALE : N/A			
DATE 2017-03-06						.XXX ±0.010		SIZE : A4			

THE INFORMATION CONTAINED HEREIN IS CONSIDERED "PROPRIETARY" TO BEL FUSE INC. AND SHALL NOT BE COPIED, REPRODUCED OR DISCLOSED WITHOUT THE WRITTEN APPROVAL OF BEL FUSE INC.

RoHS



RECOMMENDED PCB FOOTPRINT  
COMPONENT SIDE VIEW



NOTES:

THE SHADED AREA ON THE CUSTOMER BOARD ARE RECOMMENDED TO BE CLEAR OFF ANY VIA HOLE OR COMPONENT PAD.

ORIGINATED BY  
ANTON LIAO  
DATE 2017-03-06  
DRAWN BY  
JESSE LI  
DATE 2017-03-06

TITLE  
MagJack®  
(4 Cores, MDIX, CM Termination)  
08B0-1X1T-06-F

PART NO. / DRAWING NO.  
08B01X1T06-F  
FILE NAME  
08B01X1T06-F\_F.DWG

STANDARD DIM. TOL. IN INCH	[ ] METRIC DIM. AS REF.
.X	UNIT : INCH [mm]
.XX	SCALE : N/A
.XXX ±0.004	SIZE : A4

REV. : F PAGE : 4

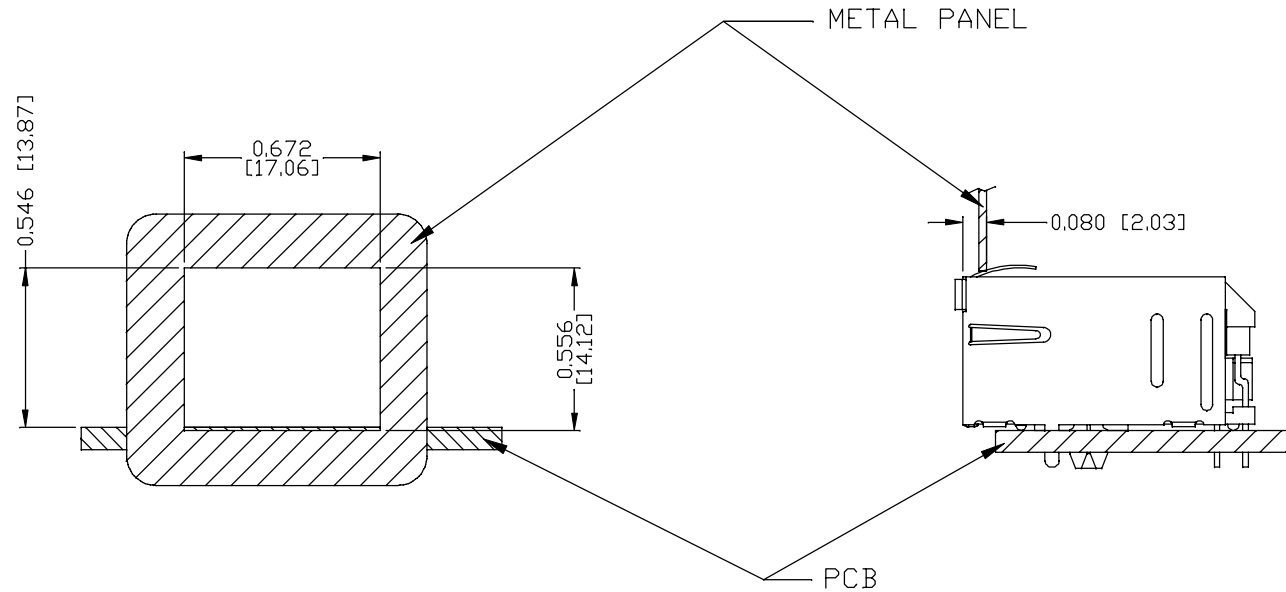


THE INFORMATION CONTAINED HEREIN IS CONSIDERED "PROPRIETARY" TO BEL FUSE INC. AND SHALL NOT BE COPIED, REPRODUCED OR DISCLOSED WITHOUT THE WRITTEN APPROVAL OF BEL FUSE INC.

RoHS



SUGGESTED PANEL OPENING



NOTE:

THE DISTANCE OF PANEL INSIDE SURFACE RELATIVE TO FRONT SURFACE OF PART IS ONLY A SUGGESTION. IN CASE THIS DISTANCE IS DIFFERENT, THE REQUIRED PANEL OPENING DIMENSIONS CHANGE ACCORDINGLY.

PACKING INFORMATION

PACKING TRAY : 0200-9999-D4(TOP)

0200-9999-D5(BOTTOM)

PACKING QUANTITY : 60 PCS FINISHED GOODS PER TRAY

11 TRAYS (660 PCS FINISHED GOODS) PER CARTON BOX

NOTE : CARDBOARDS ARE PLACED BETWEEN LAYERS OF PACKING TRAY INSIDE CARTON BOX

(INCLUDE THE UPPERMOST AND LOWERMOST TRAY)

REV. :	F	PAGE :	5
--------	---	--------	---

ORIGINATED BY ANTON LIAO
DATE 2017-03-06
DRAWN BY JESSE LI
DATE 2017-03-06

TITLE MagJack® (4 Cores, MDIX, CM Termination)
08B0-1X1T-06-F

PART NO. / DRAWING NO. 08B01X1T06-F
FILE NAME 08B01X1T06-F_F.DWG

STANDARD DIM. TOL. IN INCH	[ ] METRIC DIM. AS REF.
.X	UNIT : INCH [mm]
.XX	SCALE : N/A
.XXX ±0.004	SIZE : A4



## X-ON Electronics

Largest Supplier of Electrical and Electronic Components

*Click to view similar products for [Modular Connectors / Ethernet Connectors](#) category:*

*Click to view products by [Bel Fuse](#) manufacturer:*

Other Similar products are found below :

[8949-H88/06BLKA/SN](#) [74441-0010/BKN](#) [MP1010RX-1000](#) [MP44RX-1000](#) [PHJ-4P4C-1-V-4](#) [PHP-6P6C-5](#) [GAX-3-66](#) [GAX-8-62](#) [GDCX-PA-66-50](#) [GDCX-PN-64](#) [GDCX-PN-66](#) [GDCX-PN-66-50](#) [GDLX-A-66](#) [GDLX-N-66](#) [GDLX-S-66](#) [GDLX-S-88K](#) [GDLX-SMT-S-88](#) [GDTX-S-88-50](#) [GDX-PA-1010](#) [GLX-N-1010M-BLK](#) [GLX-S-88M-BLK](#) [GMX-N-1010](#) [GMX-S-1010](#) [GMX-S-66](#) [GMX-SMT4-N-88](#) [GPX-2-64](#) [GSGX-N-2-88](#) [GSGX-N-4-88](#) [GSX-NS2-88-3.05](#) [GSX-NS2-88-3.05-50](#) [GSX-NS-88-3.05-50](#) [PT-108A-8C-UL](#) [PT-J951-8C](#) [PTS-J531-8CS-50UL](#) [1-1775629-2](#) [A-2014-0-4](#) [GWLX-S-88-GR](#) [GWLX-S9-88-YG](#) [DC-1021-8-WH-6](#) [1300530003](#) [1324640-4](#) [RJ11FTVC2G](#) [RJ11FTVC2N](#) [RJFTVX2SA1G](#) [132764-001](#) [1413235](#) [MP88X-1000](#) [MPS88RX-5000](#) [E5288-S000K3-L](#) [E5908-15A242-L](#)