

THE INFORMATION CONTAINED HEREIN IS CONSIDERED "PROPRIETARY" TO BEL FUSE INC. AND SHALL NOT BE COPIED, REPRODUCED OR DISCLOSED WITHOUT THE WRITTEN APPROVAL OF BEL FUSE INC.

RoHS



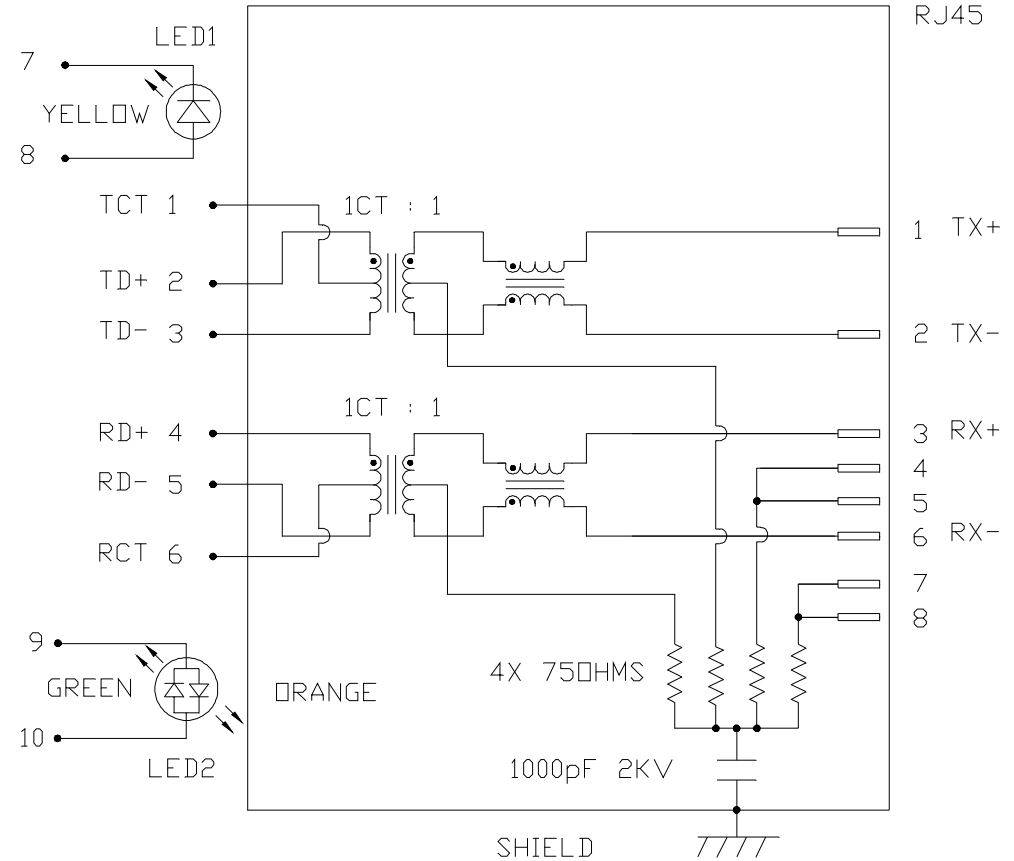
ELECTRICAL CHARACTERISTICS @ 25°C

URNS RATIO		
TX	1CT : 1	
RX	1CT : 1	
DCL @ 100kHz/100mVRMS		
8mA DC BIAS	350µH MIN.	
INS. LOSS		
1MHz TO 100MHz	-1.0 dB MAX	
RET. LOSS (MIN)		
1MHz-30MHz	-18 dB	
30MHz-60MHz	-18+20LOG(F/30MHz) dB	
60MHz-80MHz	-12 dB	
CROSS TALK (TX - RX)		
500kHz-1MHz	-70 dB MIN	
10 MHz	-50 dB MIN	
30 MHz	-45 dB MIN	
50 MHz	-40 dB MIN	
100 MHz	-35 dB MIN	
CM TO CM REJ		
100kHz-1MHz	-70 dB MIN	
10 MHz	-47 dB MIN	
30 MHz	-42 dB MIN	
60 MHz	-37 dB MIN	
100 MHz	-30 dB MIN	
CM TO DM REJ		
100kHz-1MHz	-70 dB MIN	
10 MHz	-60 dB MIN	
30 MHz	-50 dB MIN	
60 MHz	-45 dB MIN	
100 MHz	-40 dB MIN	
HIPOT (Isolation Voltage):	1500 Vrms	
100% OF PRODUCTION TESTED TO COMPLY WITH IEEE 802.3 ISOLATION REQUIREMENTS.		
LED 1		
VF (FORWARD VOLTAGE)	IF=20mA	YELLOW 2.1V TYP.
λD (DOMINANT WAVELENGTH)	IF=20mA	YELLOW 590nm TYP.
LED 2		
VF (FORWARD VOLTAGE)	IF=20mA	ORANGE 2.0V TYP. GREEN 2.2V TYP.
λD (DOMINANT WAVELENGTH)	IF=20mA	ORANGE 605nm TYP. GREEN 570nm TYP.

OPERATING TEMPERATURE: 0°C TO +70°C.

LED1 POLARITY			LED2 POLARITY		
PIN 7	PIN 8	COLOR	PIN 9	PIN 10	COLOR
-	+	YELLOW	-	+	GREEN
/	/	/	+	-	ORANGE

SCHEMATIC



ORIGINATED BY CHOW WANCHUNG
DATE 2017-12-14
DRAWN BY XIE YIMING
DATE 2017-12-14

TITLE 1X4 MagJack® (4 Cores, MDIX, CM Termination)
08B0-1X4T-06-F

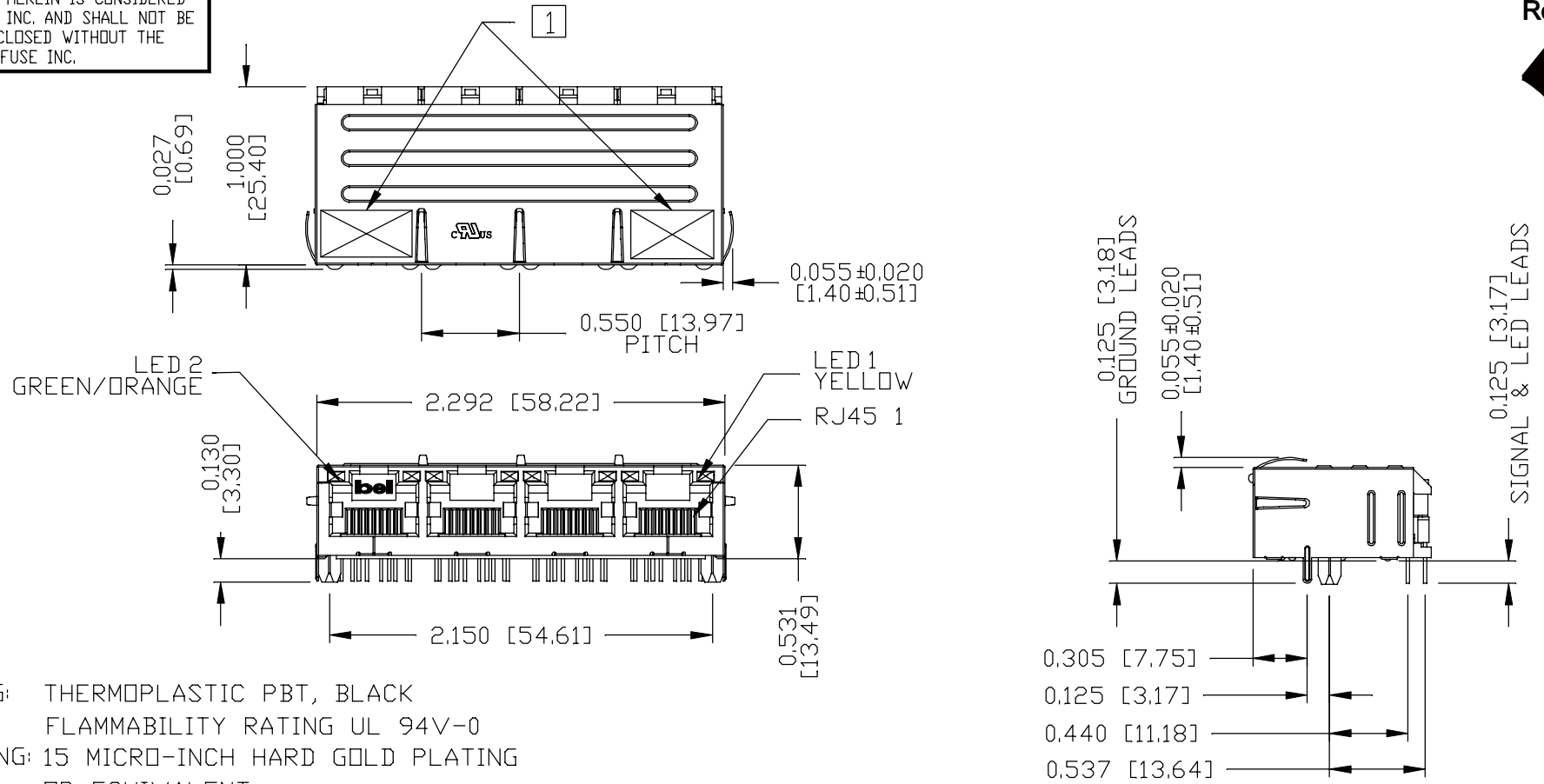
PART NO. / DRAWING NO. 08B01X4T06-F
FILE NAME 08B01X4T06-F_C.DWG

STANDARD DIM. TOL. IN INCH	[ ] METRIC DIM. AS REF.
.X	UNIT : INCH [mm]
.XX	SCALE : N/A
.XXX	SIZE : A4

REV. : C	PAGE : 2
<p>a bel group</p>	

THE INFORMATION CONTAINED HEREIN IS CONSIDERED "PROPRIETARY" TO BEL FUSE INC. AND SHALL NOT BE COPIED, REPRODUCED OR DISCLOSED WITHOUT THE WRITTEN APPROVAL OF BEL FUSE INC.

RoHS



NOTES:

- PLASTIC HOUSING: THERMOPLASTIC PBT, BLACK  
FLAMMABILITY RATING UL 94V-0
- CONTACTS PLATING: 15 MICRO-INCH HARD GOLD PLATING OR EQUIVALENT.
- PINS: TIN-COATED COPPER WIRE, DIA 0.018 INCH. 100 MICRO-INCH MIN MATTE TIN. PINS ARE SOLDER DIPPED.
- METAL SHIELD: NICKEL PLATED ON COPPER ALLOY.  
(ALL GROUND LEADS ARE SOLDER DIPPED)

[1] MARK PART WITH MFG LOGO, MFG NAME, PART NUMBER, DATE CODE.

**UL** RECOGNIZED - FILE #E196366 AND E169987.

- THE PRODUCT IS RoHS COMPLIANT.
- JACK CAVITY CONFORMS TO FCC RULES AND REGULATIONS
- THE PART IS RECOMMENDED FOR WAVE SOLDERING. THE SUGGESTED PEAK WAVE SOLDERING CONDITION IS 260°C MAX AND 10 SECONDS MAX.

<b>ORIGINATED BY</b> ANTON LIAO <b>DATE</b> 2017-12-14 <b>DRAWN BY</b> JESSE LI <b>DATE</b> 2017-12-14		<b>TITLE</b> 1X4 MagJack® (4 Cores, MDIX, CM Termination) 08B0-1X4T-06-F		<b>PART NO. / DRAWING NO.</b> 08B01X4T06-F <b>FILE NAME</b> 08B01X4T06-F_C.DWG		<b>STANDARD DIM. TOL. IN INCH</b> .X .XX .XXX ±0.010		<b>[ ] METRIC DIM. AS REF.</b> UNIT : INCH [mm] SCALE : N/A SIZE : A4		<b>REV. :</b> C	<b>PAGE :</b> 3
---	--	---	--	---	--	---	--	--	--	-----------------	-----------------

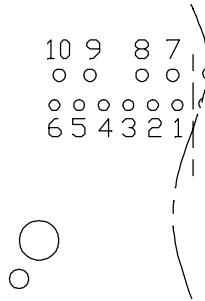


THE INFORMATION CONTAINED HEREIN IS CONSIDERED "PROPRIETARY" TO BEL FUSE INC. AND SHALL NOT BE COPIED, REPRODUCED OR DISCLOSED WITHOUT THE WRITTEN APPROVAL OF BEL FUSE INC.

RoHS

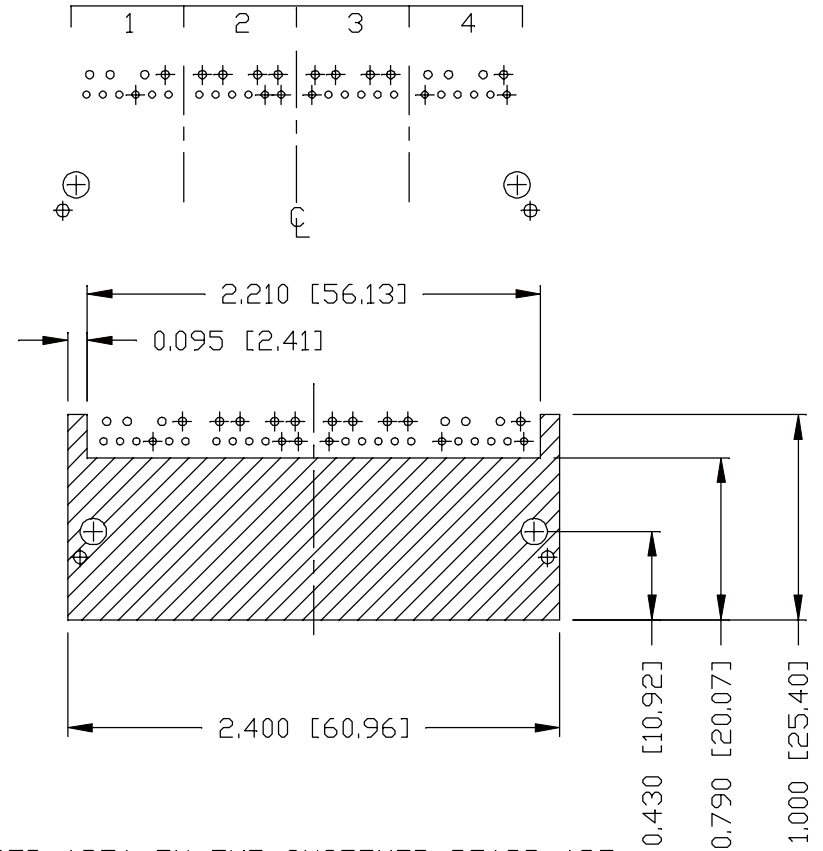


PIN ASSIGNMENT - EACH PORT  
COMPONENT SIDE VIEW



6	RCT
5	RD -
4	RD +
3	TD -
2	TD +
1	TCT

RECOMMENDED PCB FOOTPRINT  
COMPONENT SIDE VIEW



THE SHADED AREA ON THE CUSTOMER BOARD ARE RECOMMENDED TO BE CLEAR OFF ANY VIA HOLE OR COMPONENT PAD.

ORIGINATED BY  
ANTON LIAO  
DATE 2017-12-14  
DRAWN BY  
JESSE LI  
DATE 2017-12-14

TITLE  
1X4 MagJack®  
(4 Cores, MDIX, CM Termination)  
08B0-1X4T-06-F

PART NO. / DRAWING NO.  
08B01X4T06-F  
FILE NAME  
08B01X4T06-F\_C.DWG

STANDARD DIM. TOL. IN INCH	[ ] METRIC DIM. AS REF.
.X	UNIT : INCH [mm]
.XX	SCALE : N/A
.XXX	±0.004
	SIZE : A4

REV. : C PAGE : 4

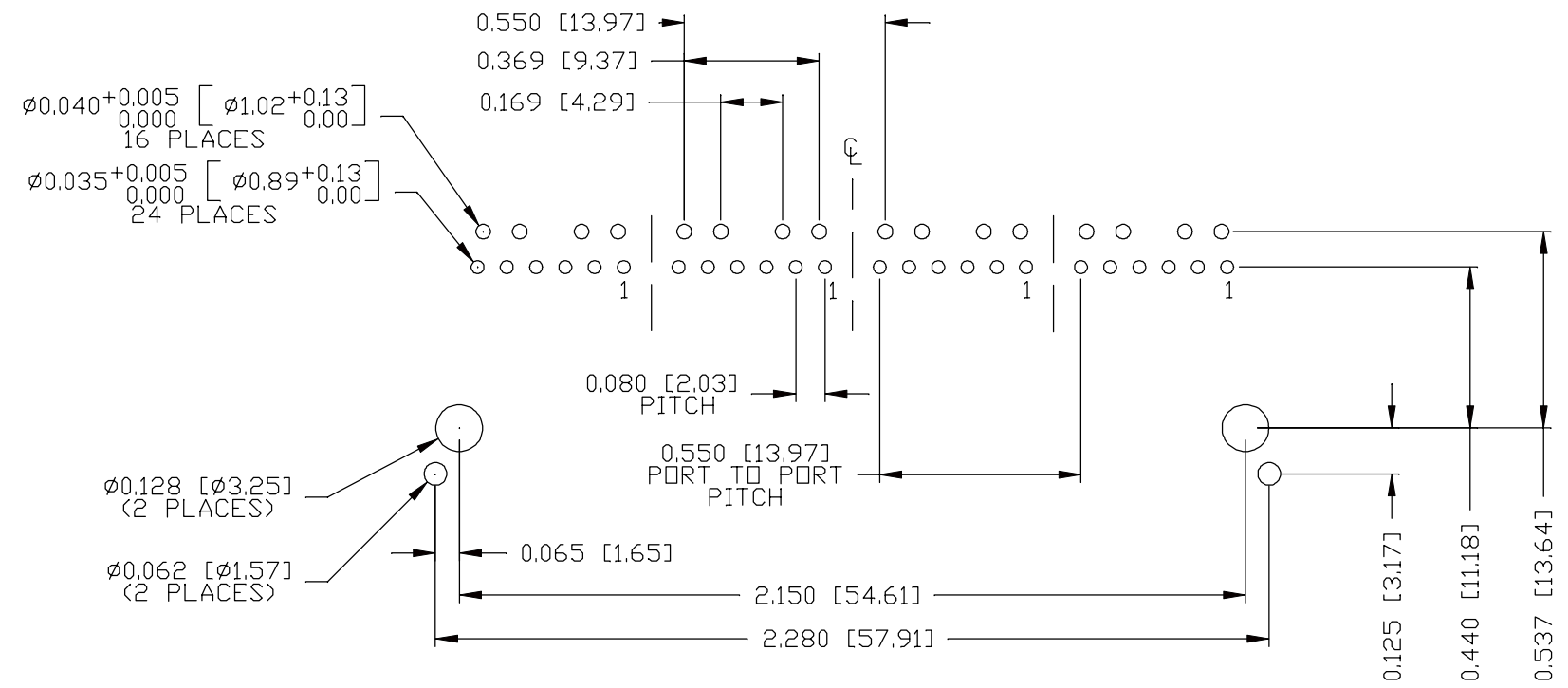


a bel group

THE INFORMATION CONTAINED HEREIN IS CONSIDERED 'PROPRIETARY' TO BEL FUSE INC. AND SHALL NOT BE COPIED, REPRODUCED OR DISCLOSED WITHOUT THE WRITTEN APPROVAL OF BEL FUSE INC.



RECOMMENDED PCB FOOTPRINT  
COMPONENT SIDE VIEW



ORIGINATED BY  
ANTON LIAO  
DATE 2017-12-14  
DRAWN BY  
JESSE LI  
DATE 2017-12-14

TITLE  
1X4 MagJack®  
(4 Cores, MDIX, CM Termination)  
08B0-1X4T-06-F

PART NO. / DRAWING NO.  
08B01X4T06-F  
FILE NAME  
08B01X4T06-F\_C.DWG

STANDARD DIM. TOL. IN INCH	[ ] METRIC DIM. AS REF.
.X	UNIT : INCH [mm]
.XX	SCALE : N/A
.XXX ±0.004	SIZE : A4

REV. : C PAGE : 5

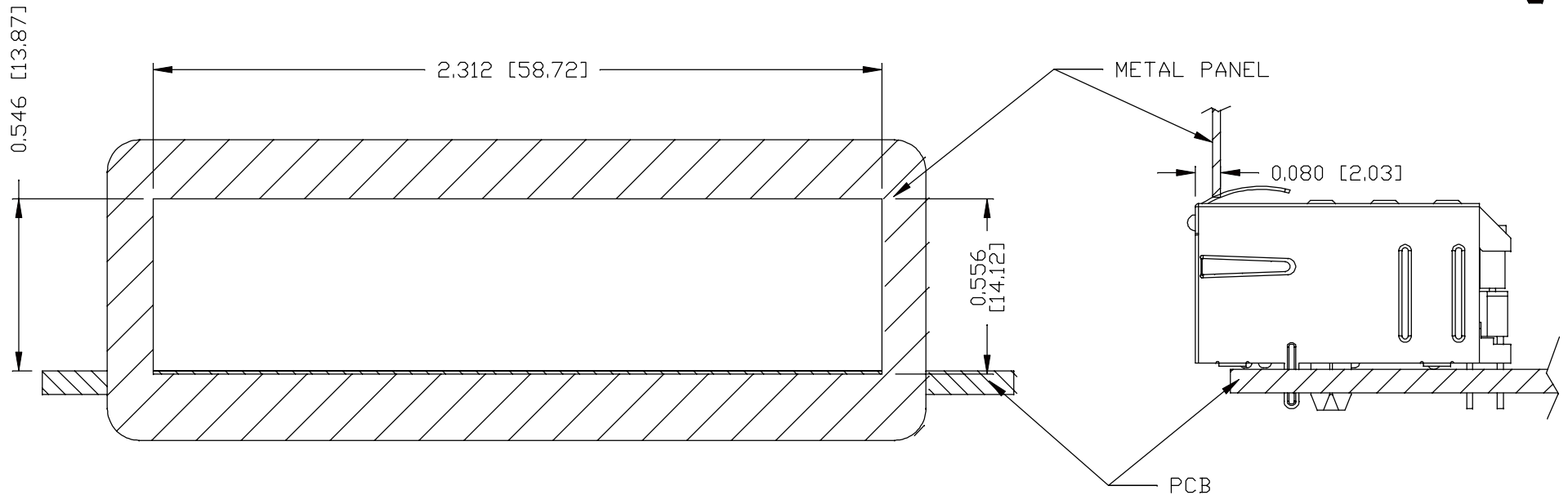


THE INFORMATION CONTAINED HEREIN IS CONSIDERED 'PROPRIETARY' TO BEL FUSE INC. AND SHALL NOT BE COPIED, REPRODUCED OR DISCLOSED WITHOUT THE WRITTEN APPROVAL OF BEL FUSE INC.

RoHS



SUGGESTED PANEL OPENING



NOTES:

THE DISTANCE OF PANEL INSIDE SURFACE RELATIVE TO FRONT SURFACE OF PART IS ONLY A SUGGESTION. IN CASE THIS DISTANCE IS DIFFERENT, THE REQUIRED PANEL OPENING DIMENSIONS CHANGE ACCORDINGLY.

PACKING INFORMATION

PACKING TRAY : 0200-0148-17

PACKING QUANTITY : 30 PCS FINISHED GOODS PER TRAY.

10 TRAYS (300 PCS FINISHED GOODS) PER CARTON BOX.

NOTE : CARDBOARDS ARE PLACED BETWEEN LAYERS OF PACKING TRAY INSIDE CARTON BOX.

(INCLUDE THE UPPERMOST AND LOWERMOST TRAY)

REV. : C PAGE : 6

ORIGINATED BY  
ANTON LIAO  
DATE 2017-12-14  
DRAWN BY  
JESSE LI  
DATE 2017-12-14

TITLE  
1X4 MagJack®  
(4 Cores, MDIX, CM Termination)  
08B0-1X4T-06-F

PART NO. / DRAWING NO.  
08B01X4T06-F  
FILE NAME  
08B01X4T06-F\_C.DWG

STANDARD DIM. TOL. IN INCH	[ ] METRIC DIM. AS REF.
.X	UNIT : INCH [mm]
.XX	SCALE : N/A
.XXX ±0.004	SIZE : A4



## X-ON Electronics

Largest Supplier of Electrical and Electronic Components

*Click to view similar products for [Modular Connectors / Ethernet Connectors](#) category:*

*Click to view products by [Bel Fuse](#) manufacturer:*

Other Similar products are found below :

[8949-H88/06BLKA/SN](#) [74441-0010/BKN](#) [MP1010RX-1000](#) [MP44RX-1000](#) [PHJ-4P4C-1-V-4](#) [PHP-6P6C-5](#) [GAX-3-66](#) [GAX-8-62](#) [GDCX-PA-66-50](#) [GDCX-PN-64](#) [GDCX-PN-66](#) [GDCX-PN-66-50](#) [GDLX-A-66](#) [GDLX-N-66](#) [GDLX-S-66](#) [GDLX-S-88K](#) [GDLX-SMT-S-88](#) [GDTX-S-88-50](#) [GDX-PA-1010](#) [GLX-N-1010M-BLK](#) [GLX-S-88M-BLK](#) [GMX-N-1010](#) [GMX-S-1010](#) [GMX-S-66](#) [GMX-SMT4-N-88](#) [GPX-2-64](#) [GSGX-N-2-88](#) [GSGX-N-4-88](#) [GSX-NS2-88-3.05](#) [GSX-NS2-88-3.05-50](#) [GSX-NS-88-3.05-50](#) [PT-108A-8C-UL](#) [PT-J951-8C](#) [PTS-J531-8CS-50UL](#) [1-1775629-2](#) [A-2014-0-4](#) [GWLX-S-88-GR](#) [GWLX-S9-88-YG](#) [DC-1021-8-WH-6](#) [1300530003](#) [1324640-4](#) [RJ11FTVC2G](#) [RJ11FTVC2N](#) [RJFTVX2SA1G](#) [132764-001](#) [1413235](#) [MP88X-1000](#) [MPS88RX-5000](#) [E5288-S000K3-L](#) [E5908-15A242-L](#)