

Type 0AKH Fast-Acting Fuse Series

0AKH Series

RoHS Compliant

Description

1000VDC rated Square Body fuse, designed for EV/ESS



Features

- 1000Vdc ideal for EV or HEV application
- Excellent DC performance
- Full compliance with EU Directive 2011/65/EU and amending directive 2015/863

Applications

EV/HEV/ESS Applications

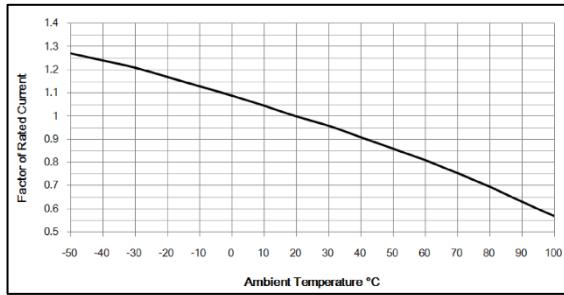
Physical Specifications

Materials	Body : Ceramic
	Terminals : Tin Plated Copper
Marking	On Fuse :
	"bel", "0AKH", "Current Rating",
	"Interrupting Rating", "Voltage Rating"
	On Label :
	"bel", "0AKHX", "Current Rating", "Voltage Rating", "Interrupting Rating", and "  ", "  "(China RoHS compliant).

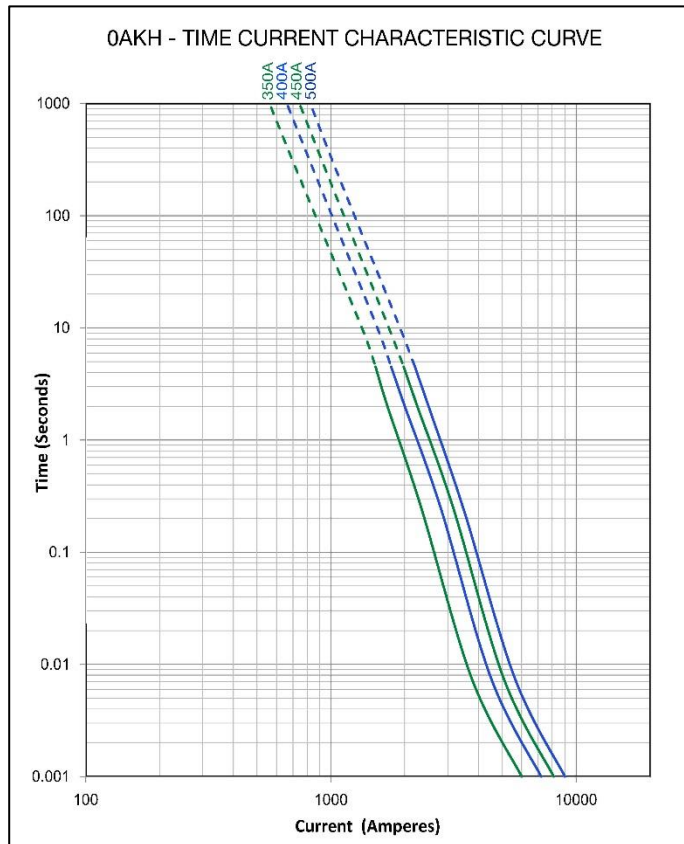
Ratings

Ampere Rating / Voltage Rating	Ampere Range / Volt @ I.R. ability*
350A - 500A / 1000V DC	350A – 500A / 1000V @ 50kA DC
*I.R.= Interrupting Rating = Short Circuit Rating(Amps)	

Temperature Re-Rating Curve



Average Time Current Curve



Electrical Specifications

Part Number	Ampere Rating	Voltage and Interrupting Ratings	0.5In Power loss (W)
0AKHxK350-xx	350A	See Table of Ratings on Page 1 for Voltage and associated Interrupting Ratings	<14.5
0AKHxK400-xx	400A		<17
0AKHxK450-xx	450A		<19.5
0AKHxK500-xx	500A		<21

Consult manufacturer for other ratings

*Temperature Rise: <50K with 50% of rated current



Specifications subject to change without notice

Bel Fuse Inc.
206 Van Vorst Street
Jersey City, NJ 07302 USA

+1 201.432.0463
Bel.US.CS@belf.com
belfuse.com/circuit-protection

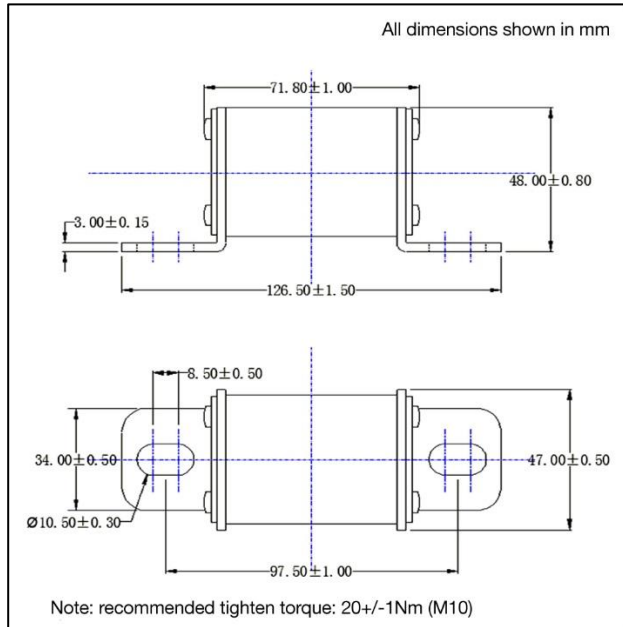
Fuse FGNO Explanation

0AKH X [XXXX] -XX

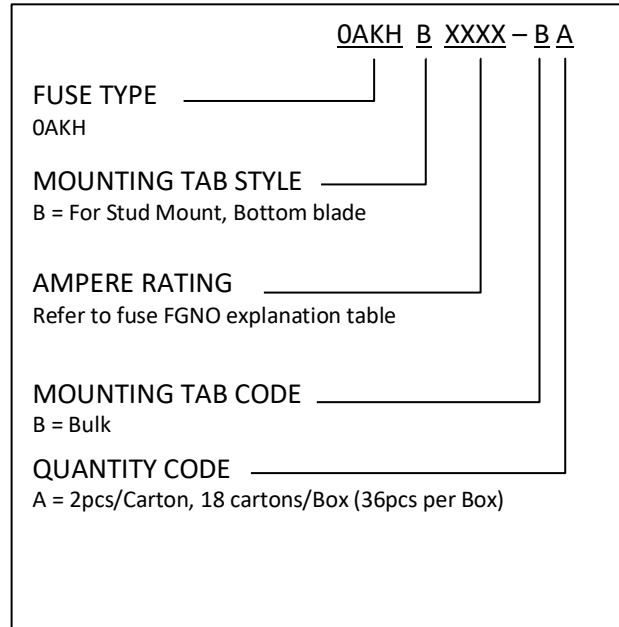
0AKHB=0AKHB; [XXXX]=Ampere Rating; XX=See Ordering Information as below

Amps	Bel FGNO[XXXX]
350	K350
400	K400
450	K450
500	K500

Mechanical Dimensions



Ordering Information



Packaging

Packaging Option	Quantity	Packaging Code
BULK	2pcs/carton, 18cartons/box (36pcs per box)	BA

X-ON Electronics

Largest Supplier of Electrical and Electronic Components

Click to view similar products for [Automotive Fuses](#) category:

Click to view products by [Bel Fuse](#) manufacturer:

Other Similar products are found below :

[AFX-150](#) [AT-10](#) [AT-30](#) [AT-5](#) [ATM-4LP](#) [299080](#) [AT-20](#) [AT-3](#) [0287015](#) [142.7010.5502](#) [0MIN015.HXGLO](#) [0695030.PXPS](#)
[0695040.PXPS](#) [0297003.WXT](#) [0MIN025.HXGLO](#) [0MIN030.HXGLO](#) [0695025.PXPS](#) [0695015.PXPS](#) [0695050.PXPS](#) [0695060.PXPS](#)
[MRBF-075](#) [MRBF-300](#) [ACBP-12-V-35A](#) [ACBP-V-40C](#) [ANT-I-3A](#) [ANE-175A](#) [253080](#) [253100](#) [ACB-12-H-50A](#) [ACB-24-V-25A](#) [ACB2-](#)
[PL-25A](#) [353150](#) [153050](#) [153090](#) [153200](#) [353100](#) [MIDA-50A](#) [142.7010.5302](#) [LMIN015.ZXPROA](#) [0695040.PXP](#) [0327030.YX2T](#)
[0299040.ZXT](#) [142.7010.6102](#) [LMIN020.ZXPROA](#) [0298500.UX1M8](#) [0299070.ZXT](#) [02400106P](#) [0297002.WXT](#) [0297004.WXT](#)
[0297010.WXT](#)