

Type 0AKK

Electric Vehicle Power Fuses

0AKK Series

RoHS Compliant

Description

1000 VDC rated ceramic tube fuse

Features



- Fast-Acting fuse for DC Application
- Reliability performance design refer to ISO8820-8&GB/T31465.6
- Designed to EV fuse standard UL248-20
- Excellent DC performance
- Fully compliance with EU Directive 2011/65/EU and amending directive 2015/863

Applications

EV/HEV/ESS Application



Physical Specifications

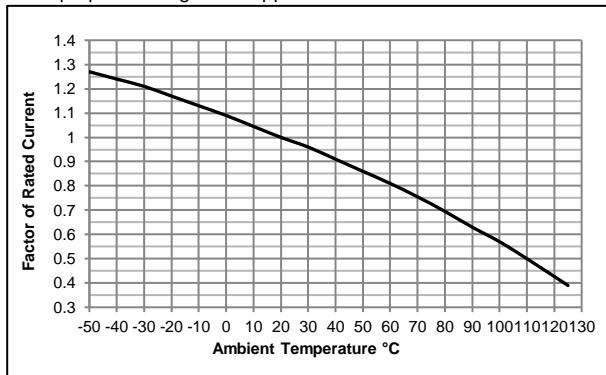
Materials	Body : Ceramic
	Terminals : Tin Plated Copper
Marking	On Fuse :
	"bel", "0AKK", "Current Rating",
	"Interrupting Rating", "Voltage Rating"
	On Label :
	"bel", "0AKK", "Current Rating", "Voltage Rating", "Interrupting Rating", and "  ", "  "(China RoHS compliant).

Ratings

Voltage Rating (V)	Ampere Range / Volt @ I.R. ability*
63A-350A / 1000V DC	63A-350A / 1000V @ 50kA DC
*I.R.= Interrupting Rating = Short Circuit Rating(Amps)	

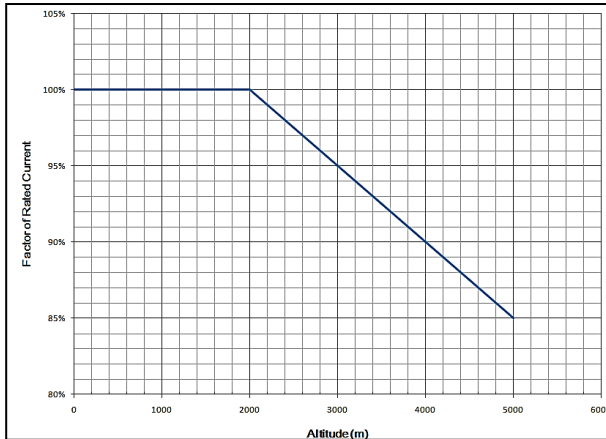
Temperature Re-Rating Curve

Operating Temperature: -40°C to +125°C,
with proper derating factor applied

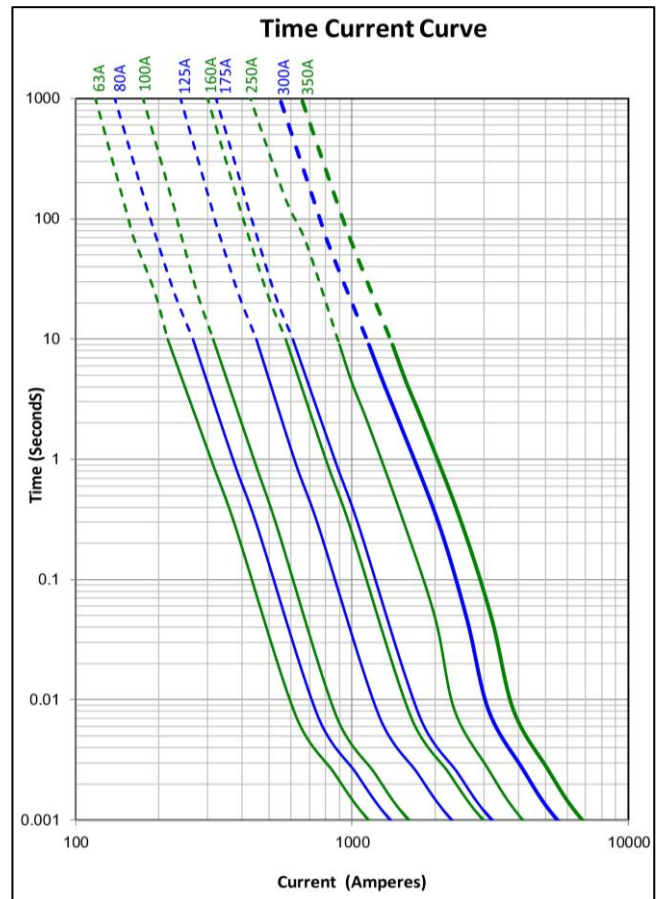


Re-rating with High altitude

The current load calculation formula of high altitude is:
 $I = I_n * (1 - (h-2000)/100 * (0.5/100))$, where h is the altitude and does not exceed 5000



Average Time Current Curve



Electrical Specifications

Part Number	Rated Current	Voltage and Interrupting Ratings	I²t (A²sec)		0.5In Power loss (W)	1.0In Power loss (W)
			Pre-arcing	Total @ 1000Vdc		
0AKK-9630-xx	63A	See Table of Ratings on Page 1 for Voltage and associated Interrupting Ratings	720	4360	2.6	15.2
0AKK-9800-xx	80A		1050	6710	3.2	18.6
0AKK-K100-xx	100A		1560	10500	3.9	22.4
0AKK-K125-xx	125A		3200	22600	4.5	25
0AKK-K160-xx	160A		5400	43200	5.7	33.5
0AKK-K175-xx	175A		6250	50000	6.9	41.4
0AKK-K250-xx	250A		9600	43680	8.7	52
0AKK-K300-xx	300A		17000	85000	9.8	59
0AKK-K350-xx	350A		29000	158000	13	68

Consult manufacturer for other ratings
*Temperature Rise: <=50K with 50% of rated current



Specifications subject to change without notice

Bel Fuse Inc.
206 Van Vorst Street
Jersey City, NJ 07302 USA

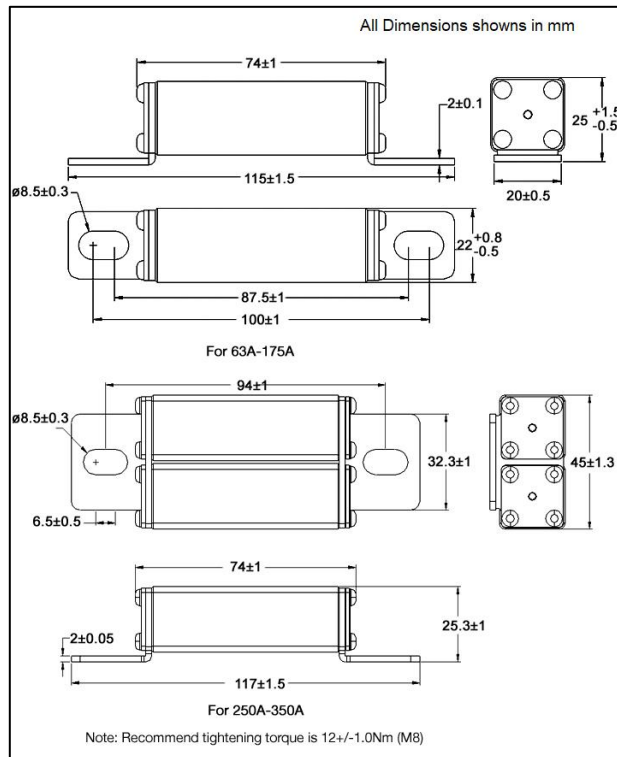
+1 201.432.0463
Bel.US.CS@belf.com
belfuse.com/circuit-protection

Fuse FGNO Explanation

0AKK - [XXXX] -XX [XXXX]=Ampere Rating; XX=See Ordering Information as below

Amps	Bel FGNO[XXXX]	Amps	Bel FGNO[XXXX]
63A	9630	175A	K175
80A	9800	250A	K250
100A	K100	300A	K300
125A	K125	350A	K350
160A	K160		

Mechanical Dimensions



Ordering Information

0AKK - XXXX - X X

FUSE TYPE _____
0AKK

AMPERE RATING _____
Refer to fuse FGNO explanation table

PACKAGING CODE _____
B = Bulk

QUANTITY CODE _____
B = 8pcs/inner box, 144pcs/shipping carton (for 63A-175A)
A = 4pcs/inner box, 72pcs/shipping carton (for 250A-350A)

Packaging

Packaging Option	Quantity	Packaging Code
Bulk (for 63A-175A)	8pcs/inner box, 144pcs/shipping carton	BB
Bulk (for 250A-350A)	4pcs/inner box, 72pcs/shipping carton	BA

X-ON Electronics

Largest Supplier of Electrical and Electronic Components

Click to view similar products for [Automotive Fuses](#) category:

Click to view products by [Bel Fuse](#) manufacturer:

Other Similar products are found below :

[ATM-4LP](#) [299080](#) [HBO-70](#) [0287015](#) [FMM-15](#) [0297003.WXT](#) [0695060.PXPS](#) [MRBF-075](#) [MRBF-300](#) [MRBF-200](#) [ANX80-UL-20A](#)
[ANX80-UL-25A](#) [ANX80-UL-30A](#) [ANX80-UL-35A](#) [ANX80-UL-40A](#) [ANT-I-3A](#) [APM-I-25A](#) [APR-10A](#) [APR-25A](#) [ANX58-UL-20A](#)
[ANX58-UL-25A](#) [ANX58-UL-35A](#) [ANX58-UL-40A](#) [ANX58-UL-50A](#) [ANM-4A](#) [ANM-25A](#) [ANE-175A](#) [APM-25A](#) [APM-4A](#) [ACB2-PL-](#)
[15A](#) [ACB2-PL-25A](#) [ANM58-15A](#) [ANM58-5A](#) [FMX-LP-20A](#) [MIDA-50A](#) [0695040.PXP](#) [0327030.YX2T](#) [0298500.UX1M8](#) [0299070.ZXT](#)
[20A32V](#) [ATM-1](#) [MRBF-040](#) [MRBF-100](#) [MRBF-250](#) [MRBF-050](#) [MRBF-060](#) [CFCOVER-2R](#) [MRBF-030](#) [3298600.ZXM10](#) [AMG-80](#)