

Type 0AKL

Electric Vehicle Auxiliary Fuses

0AKL Series

RoHS Compliant

Description

General purpose fuse for EV/HEV

Features

- Excellent DC performance
- Design refer to JASO D622:2006
- Full compliance with EU Directive 2011/65/EU and amending directive 2015/863

Applications



EV or HEV application



Electrical Characteristics

% of Ampere Rating (A)	Operating Time (Unit: s)	
	Min	Max
200%	1	300
300%	0.2	30
500%	0.1	10

Physical Specifications

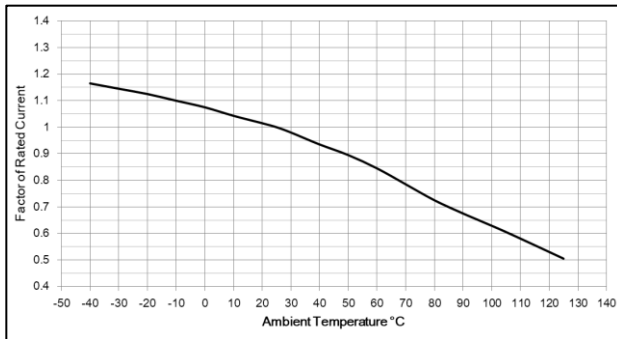
Materials	Body : Ceramic
	Terminals : Stud Mount, Center Terminal (Tin Plated Brass); Stud Mount, Bottom Terminal (Tin Plated Copper); Wave solder, 1-pin PCB mount (Silver Plated Brass); Wave solder, 2-pin PCB mount (Tin Plated Copper).
Marking	On Fuse :
	"bel", "0AKL",
	"Current Rating", "Voltage Rating"
	On Label :
	"bel", "0AKLX", "Current Rating", "Voltage Rating", "Interrupting Rating", "Appropriate Safety Logos" and "  ", "  "(China RoHS compliant).

Ratings

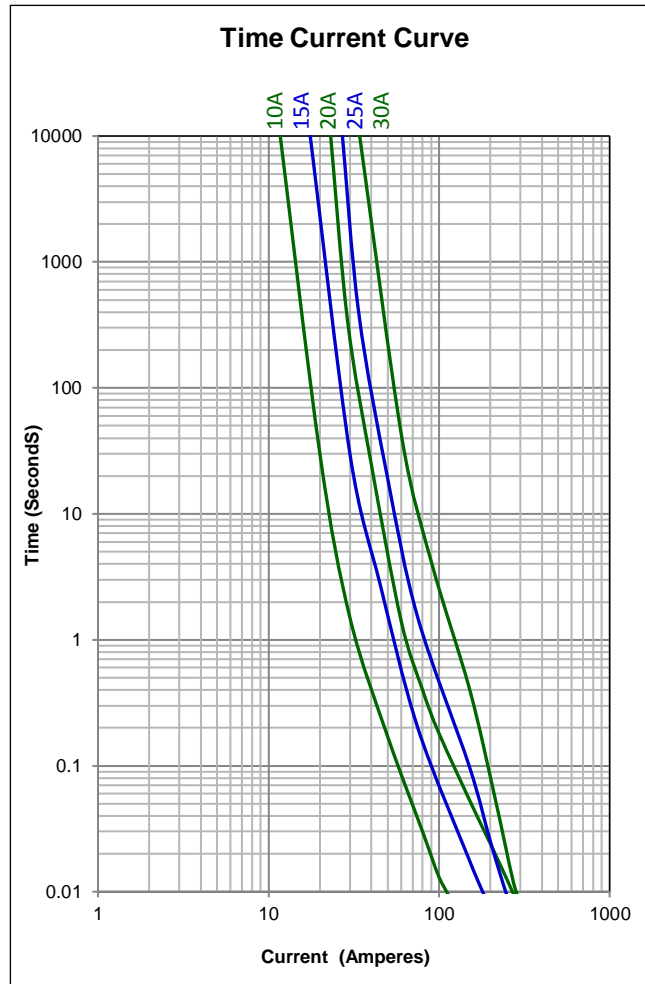
Ampere Rating / Voltage Rating	Ampere Range / Volt @ I.R. ability*
10A-30A / 1000V DC	10A-30A / 1000V @ 50kA DC
*I.R.= Interrupting Rating = Short Circuit Rating(Amps)	

Temperature Re-Rating Curve

Operating Temperature: -40°C to +125°C,
with proper rerating factor applied



Average Time Current Curve



Electrical Specifications

Part Number	Ampere Rating	Voltage and Interrupting Ratings	Typical cold resistance (mOhms)	Typical voltage drop (mV)		Typical pre-arcing I ² t (A ² sec)
				At 0.5I _n	At 1.0I _n	
0AKLx9100-xx	10A	See Table of Ratings on Page 1 for Voltage and associated Interrupting Ratings	12.5	60	130	120
0AKLx9150-xx	15A		7.2	60	140	405
0AKLx9200-xx	20A		5.2	80	154	1450
0AKLx9250-xx	25A		4.0	63	145	560
0AKLx9300-xx	30A		3.1	56	150	650

Consult manufacturer for other ratings

*Temperature Rise: <=50K with 70% of rated current

** Typical pre-arcing I²t measured at 10I_n



Specifications subject to change without notice

Bel Fuse Inc.
206 Van Vorst Street
Jersey City, NJ 07302 USA

+1 201.432.0463
Bel.US.CS@belf.com
belfuse.com/circuit-protection

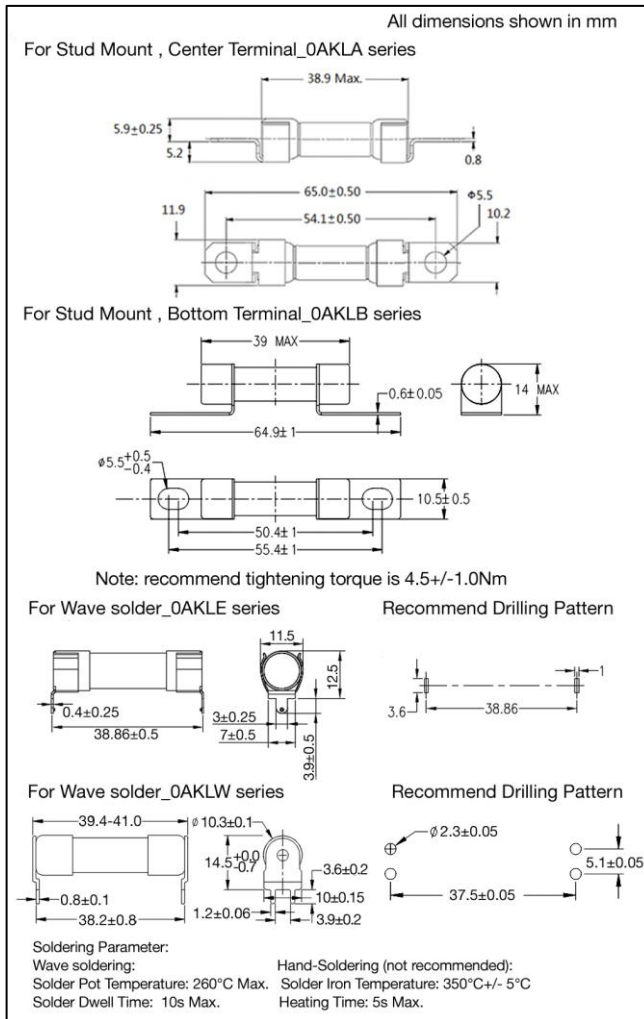
Fuse FGNO Explanation

0AKL X [XXXX] -XX

0AKLA/B/E/W=0AKLA/B/E/W; [XXXX]=Ampere Rating; XX=See Ordering Information as below

Amps	Bel FGNO[XXXX]
10	9100
15	9150
20	9200
25	9250
30	9300

Mechanical Dimensions



Ordering Information

0AKL X XXXX - X X

FUSE TYPE _____

0AKL

MOUNTING TAB STYLE _____

A = For Stud Mount, Center Terminal
 B = For Stud Mount, Bottom Terminal
 E = For Wave solder (1-pin PCB mount)
 W = For Wave solder (2-pin PCB mount)

AMPERE RATING _____

Refer to fuse FGNO explanation table

PACKAGING CODE _____

B = Bulk (for Stud Mount, Bottom Terminal)
 TBD for Stud Mount, Center Terminal and Wave solder

QUANTITY CODE _____

E = 24 pcs/inner box, 840pcs/shipping carton
 (for Stud Mount, Bottom Terminal)
 TBD for Stud Mount, Center Terminal and Wave solder

Packaging

Packaging Option	Quantity	Packaging Code
Bulk (for Stud Mount, Bottom Terminal)	24 pcs/inner box, 840pcs/shipping carton	BE
TBD for Stud Mount, Center Terminal	TBD	TBD
TBD for Wave solder	TBD	TBD

X-ON Electronics

Largest Supplier of Electrical and Electronic Components

Click to view similar products for [Automotive Fuses](#) category:

Click to view products by [Bel Fuse](#) manufacturer:

Other Similar products are found below :

[ATM-4LP](#) [AFX-50](#) [299080](#) [0287015](#) [FMM-15](#) [0297003.WXT](#) [0695060.PXPS](#) [MRBF-075](#) [MRBF-300](#) [MRBF-200](#) [ANX80-UL-20A](#)
[ANX80-UL-25A](#) [ANX80-UL-30A](#) [ANX80-UL-35A](#) [ANX80-UL-40A](#) [ANT-I-3A](#) [APM-I-25A](#) [APR-10A](#) [APR-25A](#) [ANX58-UL-20A](#)
[ANX58-UL-25A](#) [ANX58-UL-35A](#) [ANX58-UL-40A](#) [ANX58-UL-50A](#) [ANM-4A](#) [ANM-25A](#) [ANE-175A](#) [APM-25A](#) [APM-4A](#) [ACB2-PL-](#)
[15A](#) [ACB2-PL-25A](#) [ANM58-15A](#) [ANM58-5A](#) [MIDA-50A](#) [0695040.PXP](#) [0327030.YX2T](#) [0298500.UX1M8](#) [0299070.ZXT](#) [ATM-1](#) [MRBF-](#)
[040](#) [MRBF-250](#) [MRBF-050](#) [MRBF-060](#) [CFCOVER-2R](#) [MRBF-030](#) [3298600.ZXM10](#) [AMG-80](#) [FLG-80](#) [BK-AMG-225](#) [BK/FMM-15](#)