

Type 0AKR

500VDC, DC Fuses

0AKR Series

RoHS Compliant

Description

500VDC rated ceramic tube fuse

Features

- Excellent DC performance
- Full compliance with EU Directive 2011/65/EU and amending directive 2015/863

Applications

EV/HEV Applications



Physical Specifications

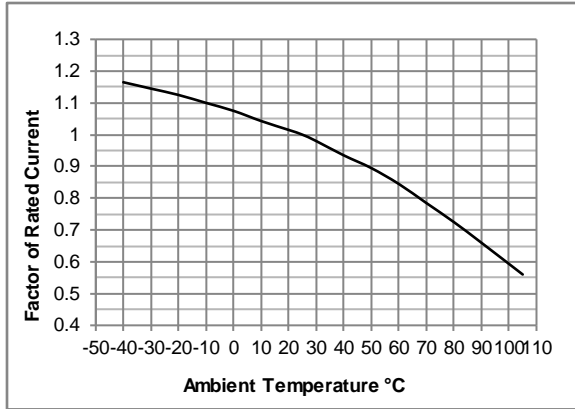
Materials	Body : Ceramic
	Terminals : Tin Plated Copper
Marking	On Fuse :
	"bel", "0AKR"
	"Current Rating", "Voltage Rating"
	On Label :
"bel", "0AKRX", "Current Rating", "Voltage Rating", "Interrupting Rating", and "✓" (RoHS), "CE" (China RoHS compliant).	

Ratings

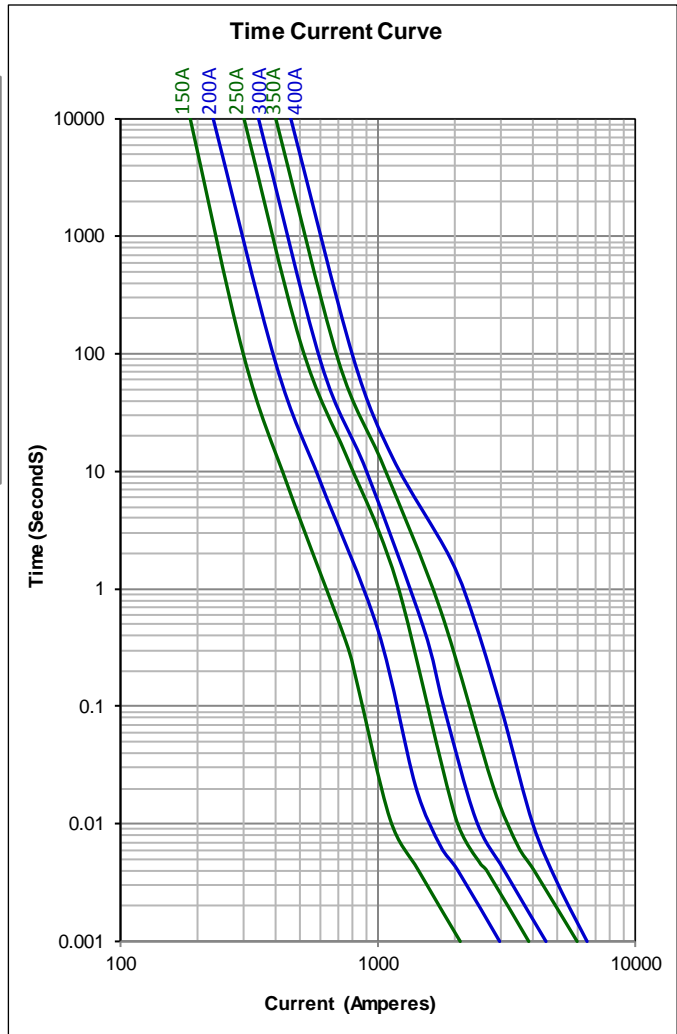
Ampere Rating / Voltage Rating	Ampere Range / Volt @ I.R. ability*
150A-400A / 500V DC	150A-400A / 500V @ 50kA DC L/R: 2+/-0.5ms
*I.R.= Interrupting Rating = Short Circuit Rating(Amps)	

Temperature Derating Curve

Operating Temperature: -40°C to +105°C,
with proper derating factor applied



Average Time Current Curve



Electrical Specifications

Part Number	Rated Current	Voltage and Interrupting Ratings	Power Loss @ 0.5In (W)
0AKRxK150-xx	150A	See Table of Ratings on Page 1 for Voltage and associated Interrupting Ratings	3.55
0AKRxK200-xx	200A		4.75
0AKRxK250-xx	250A		5.5
0AKRxK300-xx	300A		7.1
0AKRxK350-xx	350A		7.85
0AKRxK400-xx	400A		9.8

Consult manufacturer for other ratings
*Temperature Rise : <=50K with 50% of rated current



Specifications subject to change without notice

Bel Fuse Inc.
206 Van Vorst Street
Jersey City, NJ 07302 USA

+1 201.432.0463
Bel.US.CS@belf.com
belfuse.com/circuit-protection

Type 0AKR

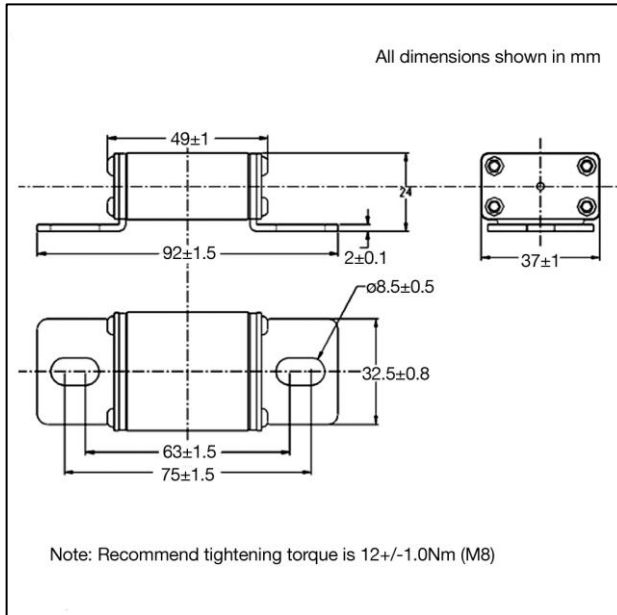
Fuse FGNO Explanation

0AKR X [XXXX] -XX

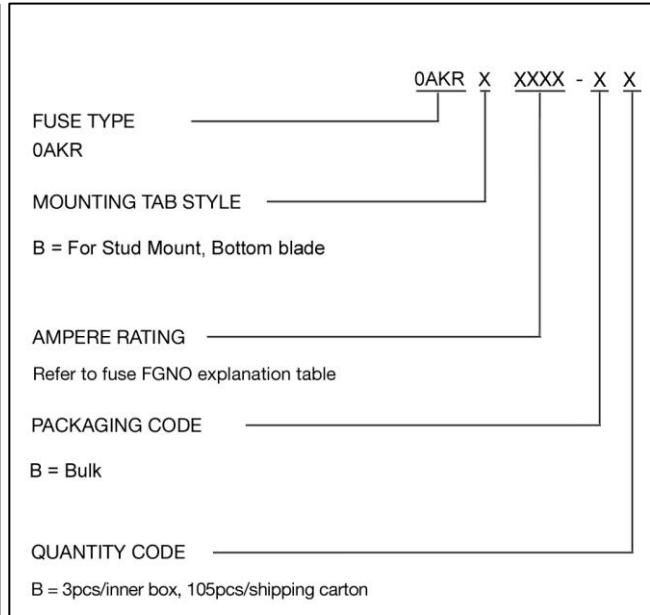
0AKRB=0AKRB; [XXXX]=Ampere Rating; XX=See Ordering Information as below

Amps	Bel FGNO[XXXX]
150A	K150
200A	K200
250A	K250
300A	K300
350A	K350
400A	K400

Mechanical Dimensions



Ordering Information



Packaging

Packaging Option	Quantity	Packaging Code
Bulk	3pcs/inner box, 105pcs/shipping carton	BB

X-ON Electronics

Largest Supplier of Electrical and Electronic Components

Click to view similar products for [Automotive Fuses](#) category:

Click to view products by [Bel Fuse](#) manufacturer:

Other Similar products are found below :

[AFX-150](#) [AT-10](#) [AT-30](#) [AT-5](#) [ATM-4LP](#) [299080](#) [AT-20](#) [AT-3](#) [0287015](#) [142.7010.5502](#) [0MIN015.HXGLO](#) [0695030.PXPS](#)
[0695040.PXPS](#) [0297003.WXT](#) [0MIN025.HXGLO](#) [0MIN030.HXGLO](#) [0695025.PXPS](#) [0695015.PXPS](#) [0695050.PXPS](#) [0695060.PXPS](#)
[MRBF-075](#) [MRBF-300](#) [ACBP-12-V-35A](#) [ACBP-V-40C](#) [ANT-I-3A](#) [ANE-175A](#) [253080](#) [253100](#) [ACB-12-H-50A](#) [ACB-24-V-25A](#) [ACB2-](#)
[PL-25A](#) [353150](#) [153050](#) [153090](#) [153200](#) [353100](#) [MIDA-50A](#) [142.7010.5302](#) [LMIN015.ZXPROA](#) [0695040.PXP](#) [0327030.YX2T](#)
[0299040.ZXT](#) [142.7010.6102](#) [LMIN020.ZXPROA](#) [0298500.UX1M8](#) [0299070.ZXT](#) [02400106P](#) [0297002.WXT](#) [0297004.WXT](#)
[0297010.WXT](#)