

# Type 0ALA

## 1000VDC, Fast Acting Fuse

0ALA Series

RoHS Compliant

### Description

Fast Acting fuse for DC Application



### Features

- Excellent DC performance
- Full compliance with EU Directive 2011/65/EU and amending directive 2015/863
- Design to UL248-1 & UL248-20

### Applications

DC Applications  
EV/HEV/ESS Applications

### Physical Specifications

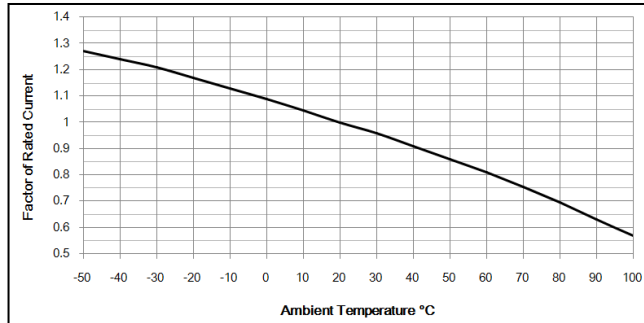
Materials	Body : Ceramic
	Terminals : Tin Plated Copper
Marking	On Fuse :
	"bel", "0ALA",
	"Current Rating", "Voltage Rating", "Interrupting Rating"
	On Label :
	"bel", "0ALAX", "Current Rating", "Voltage Rating", "Interrupting Rating", and "  ", "  " (China RoHS compliant).

### Ratings

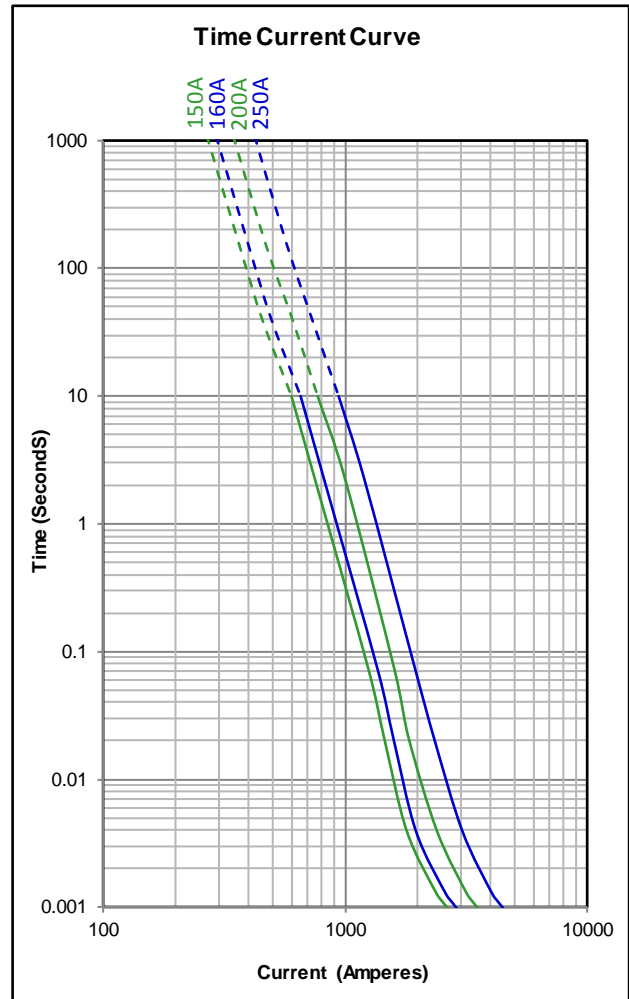
Ampere Rating / Voltage Rating	Ampere Range / Volt @ I.R. ability*
150A-250A / 1000V DC	150A-250A / 1000V @ 50kA DC
*I.R.= Interrupting Rating = Short Circuit Rating(Amps)	

## Temperature Re-Rating Curve

Operating Temperature: -40°C to +100°C, with proper re-rating factor applied



## Average Time Current Curve



## Electrical Specifications

Part Number	Ampere Rating	Voltage and Interrupting Ratings	0.5In Power Loss (W)
0ALAxK150-xx	150A	See Table of Ratings on Page 1 for Voltage and associated Interrupting Ratings	4.5
0ALAxK160-xx	160A		5.2
0ALAxK200-xx	200A		6.6
0ALAxK250-xx	250A		8.5

Consult manufacturer for other ratings



Specifications subject to change without notice

Bel Fuse Inc.  
206 Van Vorst Street  
Jersey City, NJ 07302 USA

+1 201.432.0463  
Bel.US.CS@belf.com  
[belfuse.com/circuit-protection](http://belfuse.com/circuit-protection)

# Type 0ALA

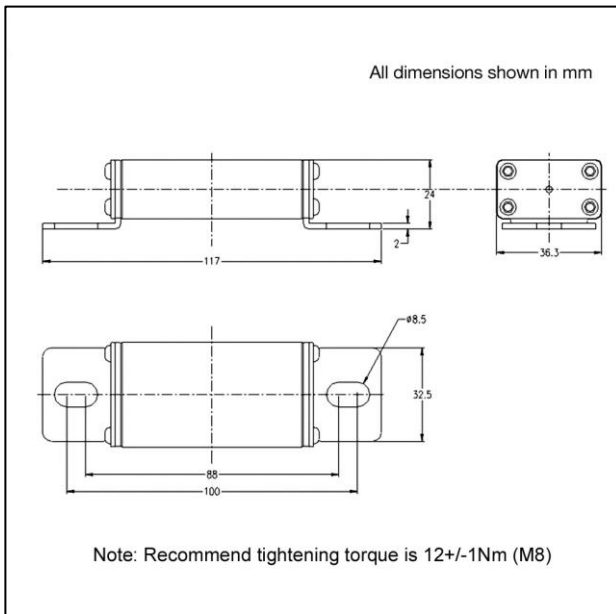
## Fuse FGNO Explanation

0ALA X [XXXX] -XX

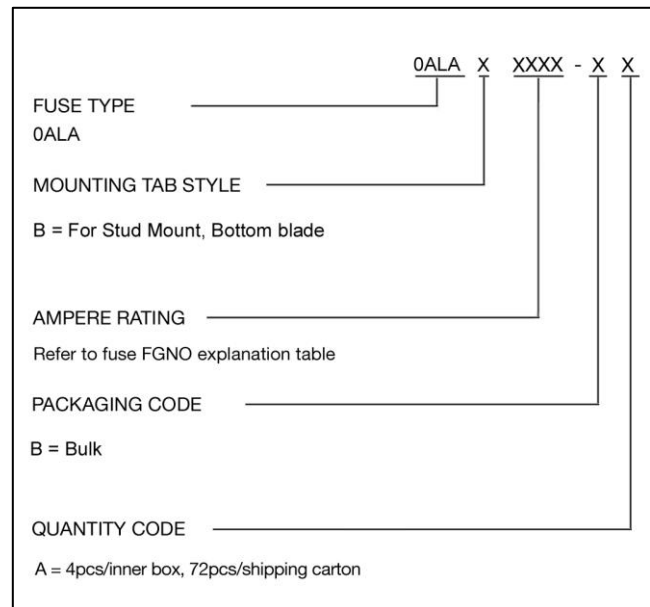
0ALAB=0ALAB; [XXXX]=Ampere Rating; XX=See Ordering Information as below

Amps	Bel FGNO[XXXX]
150	K150
160	K160
200	K200
250	K250

## Mechanical Dimensions



## Ordering Information



## Packaging

Packaging Option	Quantity	Packaging Code
Bulk	4pcs/inner box, 72pcs/shipping carton	BA

## X-ON Electronics

Largest Supplier of Electrical and Electronic Components

*Click to view similar products for [Automotive Fuses](#) category:*

*Click to view products by [Bel Fuse](#) manufacturer:*

Other Similar products are found below :

[AFX-150](#) [AT-10](#) [AT-30](#) [AT-5](#) [ATM-4LP](#) [299080](#) [AT-20](#) [AT-3](#) [0287015](#) [142.7010.5502](#) [0MIN015.HXGLO](#) [0695030.PXPS](#)  
[0695040.PXPS](#) [0297003.WXT](#) [0MIN025.HXGLO](#) [0MIN030.HXGLO](#) [0695025.PXPS](#) [0695015.PXPS](#) [0695050.PXPS](#) [0695060.PXPS](#)  
[MRBF-075](#) [MRBF-300](#) [ACBP-12-V-35A](#) [ACBP-V-40C](#) [ANT-I-3A](#) [ANE-175A](#) [253080](#) [253100](#) [ACB-12-H-50A](#) [ACB-24-V-25A](#) [ACB2-](#)  
[PL-25A](#) [353150](#) [153050](#) [153090](#) [153200](#) [353100](#) [MIDA-50A](#) [142.7010.5302](#) [LMIN015.ZXPROA](#) [0695040.PXP](#) [0327030.YX2T](#)  
[0299040.ZXT](#) [142.7010.6102](#) [LMIN020.ZXPROA](#) [0298500.UX1M8](#) [0299070.ZXT](#) [02400106P](#) [0297002.WXT](#) [0297004.WXT](#)  
[0297010.WXT](#)