

Type 0ALE

Electric vehicle auxiliary fuses

0ALE Series

RoHS Compliant

Description

The 0ALEX fuse is designed for protection of high-voltage accessory circuits in Electric Vehicle and Hybrid Electric Vehicles and Energy Storage System

Features



- 500Vdc ideal for EV or HEV or ESS application
- Excellent DC performance
- Stud-mount, optional for other installation
- Reliability performance design refer to ISO8820-8&GB/T31465.6
- Design to EV fuse standard UL248-20
- Full compliance with EU Directive 2011/65/EU and amending directive 2015/863

Applications

Provide individual protection for components or internal circuits.



Physical Specifications

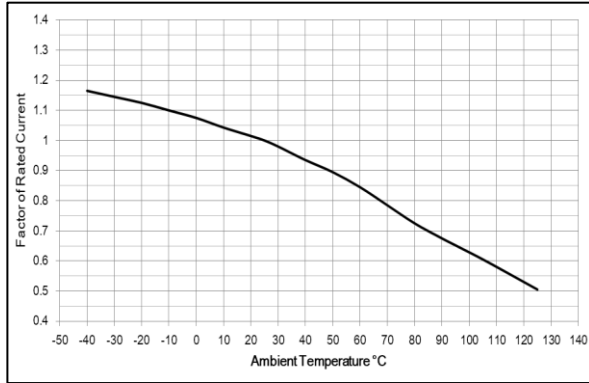
| | |
|-----------|---|
| Materials | Body : Ceramic |
| | Cap : Tin Plated Copper Caps |
| | Terminals : Tin Plated Copper (For stud Mount type) |
| Marking | On Fuse : |
| | "bel" |
| | "0ALE", "Current Rating", "Voltage Rating" |
| | On Label : |
| | "bel", "0ALEX", "Current Rating", "Voltage Rating", "Interrupting Rating", and "  ", "  " (China RoHS compliant). |

Ratings

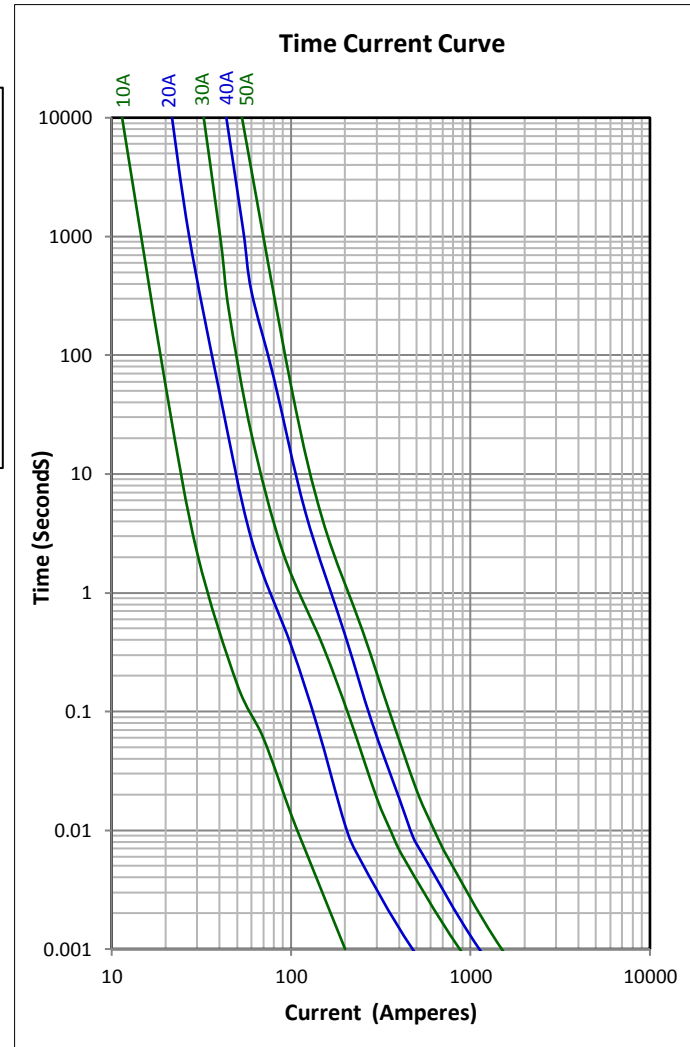
| Ampere Rating / Voltage Rating | Ampere Range / Volt @ I.R. ability* |
|--|-------------------------------------|
| 10A - 50A / 500V DC | 10A - 50A / 500V @ 20kA DC |
| *I.R.= Interrupting Rating = Short Circuit Rating (Amps) | |

Temperature Derating Curve

Operating Temperature: -40°C to +125°C,
with proper derating factor applied



Average Time Current Curve



Electrical Specifications

| Part Number | Ampere Rating | Typical Cold Resistance (mohms) | Typical Voltage Drop (mV) | Voltage and Interrupting Ratings | Typical pre-arcing I ² t (A ² sec) |
|--------------|---------------|---------------------------------|---------------------------|--|--|
| 0ALEx9100-xx | 10A | 13.5 | 185 | See Table of Ratings on Page 1 for Voltage and associated Interrupting Ratings | 130 |
| 0ALEx9200-xx | 20A | 5.1 | 145 | | 435 |
| 0ALEx9300-xx | 30A | 3.1 | 150 | | 1650 |
| 0ALEx9400-xx | 40A | 2.2 | 150 | | 2850 |
| 0ALEx9500-xx | 50A | 1.65 | 165 | | 5250 |

Consult manufacturer for other ratings

Temperature Rise <=50K with 70% of rated current

Typical pre-arcing I²t measured at 10In



Specifications subject to change without notice

Bel Fuse Inc.
206 Van Vorst Street
Jersey City, NJ 07302 USA

+1 201.432.0463
Bel.US.CS@belf.com
belfuse.com/circuit-protection

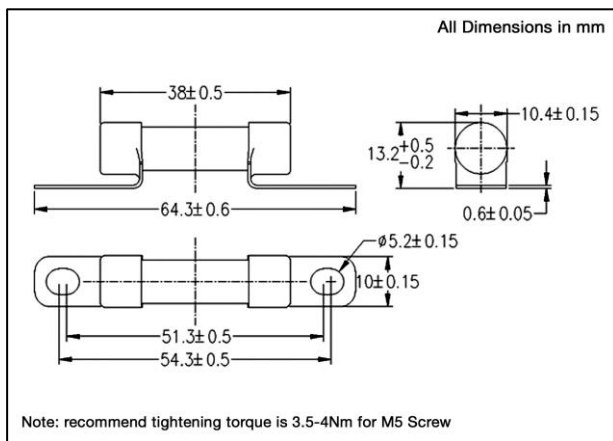
Fuse FGNO Explanation

0ALE X [XXXX] - XX

0ALEB=0ALEB; [XXXX]=Ampere Rating; XX=See Ordering Information as below

| Amps | Bel FGNO[XXX] |
|------|---------------|
| 10 | 9100 |
| 20 | 9200 |
| 30 | 9300 |
| 40 | 9400 |
| 50 | 9500 |

Mechanical Dimensions



Ordering Information

0ALE X XXXX - X X

FUSE TYPE _____

0ALE

Mounting Tab Style _____

B=For Stand Mount

AMPERE RATING _____

Refer to fuse FGNO explanation table

PACKAGING CODE _____

P = Plastic tray pack

QUANTITY CODE _____

D = 40pcs/tray, 400pcs/carton box

Packaging

| Packaging Option | Quantity | Packaging Code |
|-------------------|---|----------------|
| Plastic tray pack | 40pcs / plastic tray, 400pcs (10 plastic tray) / carton box | PD |

X-ON Electronics

Largest Supplier of Electrical and Electronic Components

Click to view similar products for [Automotive Fuses](#) category:

Click to view products by [Bel Fuse](#) manufacturer:

Other Similar products are found below :

[ATM-4LP](#) [299080](#) [HBO-70](#) [0287015](#) [FMM-15](#) [0297003.WXT](#) [0695060.PXPS](#) [MRBF-075](#) [MRBF-300](#) [MRBF-200](#) [ANX80-UL-20A](#)
[ANX80-UL-25A](#) [ANX80-UL-30A](#) [ANX80-UL-35A](#) [ANX80-UL-40A](#) [ANT-I-3A](#) [APM-I-25A](#) [APR-10A](#) [APR-25A](#) [ANX58-UL-20A](#)
[ANX58-UL-25A](#) [ANX58-UL-35A](#) [ANX58-UL-40A](#) [ANX58-UL-50A](#) [ANM-4A](#) [ANM-25A](#) [ANE-175A](#) [APM-25A](#) [APM-4A](#) [ACB2-PL-](#)
[15A](#) [ACB2-PL-25A](#) [ANM58-15A](#) [ANM58-5A](#) [FMX-LP-20A](#) [MIDA-50A](#) [0695040.PXP](#) [0327030.YX2T](#) [0298500.UX1M8](#) [0299070.ZXT](#)
[20A32V](#) [ATM-1](#) [MRBF-040](#) [MRBF-100](#) [MRBF-250](#) [MRBF-050](#) [MRBF-060](#) [CFCOVER-2R](#) [MRBF-030](#) [3298600.ZXM10](#) [AMG-80](#)