

RED INDICATES ORIGINAL

DATA CONTAINED IN THIS DOCUMENT IS PROPRIETARY TO TROMPETER ELECTRONICS INC. AND SHALL NOT BE DISCLOSED, COPIED OR USED FOR PROCUREMENT OR MANUFACTURE WITHOUT EXPRESS WRITTEN PERMISSION.

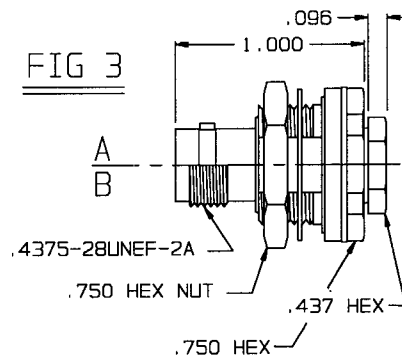
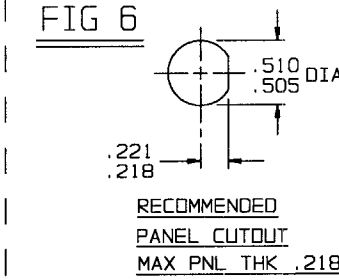
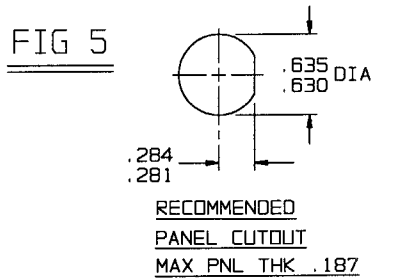
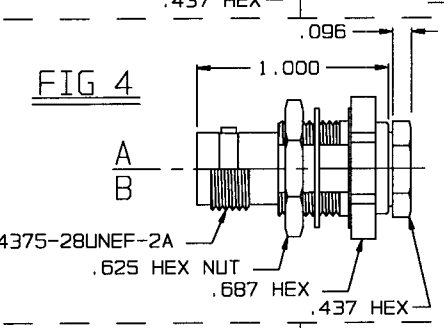
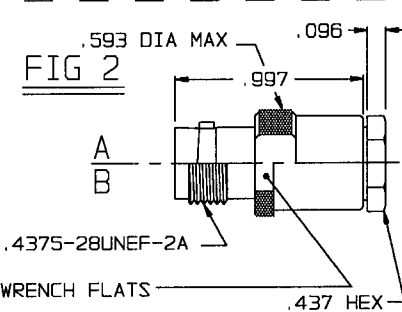
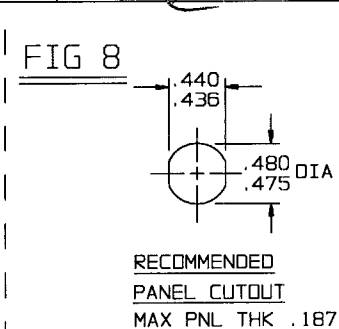
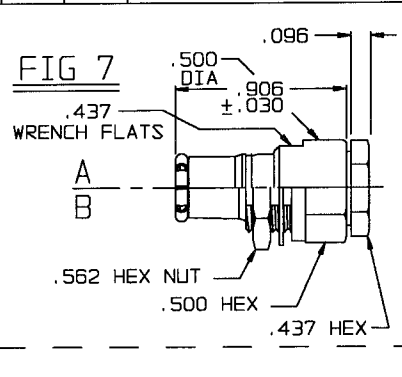
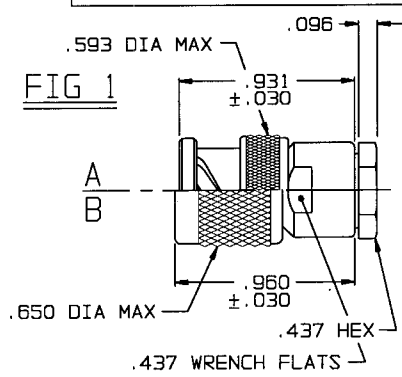
REVISIONS

REV	ED	DESCRIPTION	DWN	APPROVED	DATE
0		UPDATED AND REDRAWN	AAH	<i>WM</i>	9/24/98

105-0158

SH

DASH NO	CONN TYPE	MATERIAL	ASSEMBLE PER	FIG	MTE HOLE FIG
-1	PL20	1-0369-2B	TAI-101	1A	---
-2	CJ20	1-0134-2B		2A	---
-3	BJ29	1-0126-2B		4A	6
-4	PL123	1-0390-2B		7A	---
-5	UPL20	1-0369-U2B		1A	---
-6	UCJ20	1-0134-U2B		2A	---
-7	UBJ29	1-0126-U2B		4A	6
-8	UPL123	1-0390-U2B		7A	---
-9	BJ26	1-0341-2B		3A	5
-10	PL40	1-0014-2B		1B	---
-11	CJ40	1-0135-2B		2B	---
-12	BJ46	1-0448-2B		3B	5
-13	BJ49	1-0173-2B		4B	6
-14	UBJ26	1-0341-U2B		3A	5
-15	UPL40	1-0014-U2B		1B	---
-16	UCJ40	1-0135-U2B		2B	---
-17	UBJ46	1-0448-U2B		3B	5
-18	UBJ49	1-0173-U2B		4B	6
-19	PL122	1-0431-2B		7B	8
-20	UPL122	1-0431-U2B		7B	8



4. REPLACE CLAMP NUT 8-1580-2B WITH CLAMP NUT 8-1580-41
3. 50 & 75 OHM COAXIAL BNC/TNC CABLE PLUGS/RECEPTACLE/INSULATED & NON-INSULATED BULKHEAD MOUNT RECEPTACLE/PUSH-ON & NON-INSULATED BULKHEAD MOUNT PUSH-ON PLUGS FOR TIMES CABLE NO M1-2040

2. FINISH: TFS-1A (NICKEL)
1. ALL DIM ARE IN INCHES

QTY	DESCRIPTION	PART NUMBER	ITEM
TOL UNLESS SPECIFIED .XX ± .XXX ± .005 .XXXX ± ANGLES ±		TROMPETER ELECTRONICS, INC.	
DWN	R L	9/10/98	MATERIAL
CHK	WM	9-11-98	CODE IDENT
ENGR			14949
APPR		9/24/98	DRAWING NO.
			105-0158
NEXT ASSY	SCALE	DATE	11-6-78
		SHEET	

X-ON Electronics

Largest Supplier of Electrical and Electronic Components

Click to view similar products for [RF Connectors / Coaxial Connectors](#) category:

Click to view products by [Bel Fuse](#) manufacturer:

Other Similar products are found below :

[8915-1511-000](#) [89674-0827](#) [6001-7071-019](#) [6002-7051-003](#) [6002-7551-202](#) [6059674-1](#) [619550-1](#) [630059-000](#) [M39030/3-01N](#) [6500-7071-046](#) [6769](#) [CX050L2AQ](#) [7002-1541-010](#) [7002-1542-011](#) [7004-1512-000](#) [7009-1511-004](#) [7010-1511-000](#) [7029-1511-060](#) [7101-1541-010](#) [7101-1571-002](#) [7145-1521-002](#) [7203-1571-003](#) [7209-1511-011](#) [7210-1511-015](#) [7210-1511-019](#) [73137-5015](#) [73216-2241](#) [73404-2300](#) [7405-1521-005](#) [7405-1521-802](#) [8527](#) [8547](#) [FS11V](#) [877931](#) [8808-1511-001](#) [9049-9513-000](#) [9074-9513-000](#) [9101-9573-002](#) [910A205F](#) [9130-9573-002](#) [PL11SC-026](#) [PL375-33](#) [PL40-5](#) [PL74C-221](#) [PL75MC-217](#) [PL803-7](#) [1200690078](#) [1-201144-1](#) [R107003010W](#) [R110A172100](#)