

# Tip Jack

## Insulated Metal Clad: Military Type

### SPECIFICATIONS

**Contact:** Brass per QQ-B-626D with wrap around beryllium copper spring per QQ-C-533

**Finish:** Gold

**Body:** Nylon 6/6 per ASTM D4066

**Threaded Brass Jacket:** Per QQ-B-626D, nickel plated

**Hardware:** Nickel plated washer and nut (unassembled)

**Panel Thickness:** Up to .218 (5.45)

### RATINGS

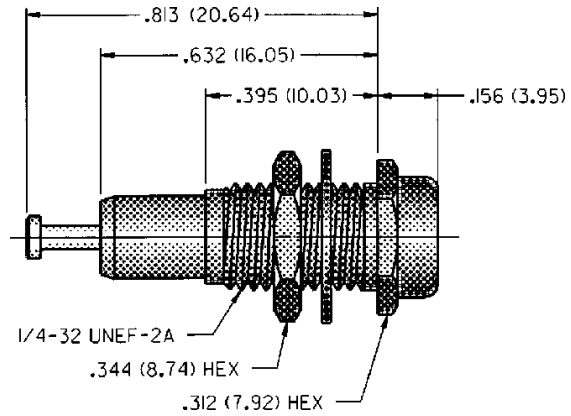
**Current:** 10 amps

**Breakdown Voltage:** 5700 Vrms minimum

**Contact Resistance:** 0.004 ohms maximum

**Contact-To-Panel C:** 2 pF nominal

Manufactured to meet MIL-C-39024/10



GOLD PLATING		
JCI PART NO. TO MIL-SPEC. PART NO. CROSS REFERENCE		
PART NO.	COLOR	MIL-C-39024/10
105-0202-200	Red	-02

**For Standard Tip Plug: .080 (2.00) Diameter**

### FEATURES:

- Machined contact with turret terminal
- For military or industrial applications
- Closed entry blocks access of probes greater than .085 (2.16)
- Nylon UL approved for self extinguishing

## X-ON Electronics

Largest Supplier of Electrical and Electronic Components

*Click to view similar products for [Test Plugs & Test Jacks](#) category:*

*Click to view products by [Bel Fuse](#) manufacturer:*

Other Similar products are found below :

[01-2601-4-0210](#) [01-2601-4-0212](#) [01-2604-4-0212](#) [01-2604-5-0210](#) [01-2150-1-0312](#) [01-2350-1-02](#) [01-2352-1-02](#) [01-2368-1-02](#) [01-2604-4-0210](#) [01-2604-5-0212](#) [01-2606-4-0210](#) [01-2606-4-0212](#) [01-2606-5-0212](#) [M39024/10-01G](#) [M39024/10-17G](#) [M39024/11-09G](#) [M39024/11-42](#) [M39024/11-43](#) [M39024/12-08](#) [707-5311](#) [707-5402-01-19](#) [707-5410](#) [923739-40-I](#) [R644543000](#) [R948161000](#) [R999351000](#) [1408-4](#) [1499-101](#) [1533-1](#) [1659559](#) [1659567](#) [1663921](#) [1663939](#) [1696-102](#) [174-R825B-EX](#) [NYS508-BU](#) [NYS508-O](#) [211-101](#) [RS100GBL](#) [RS250GBL](#) [251-102](#) [25-2251-2-03](#) [25-2259-2-03](#) [923743-16-I](#) [923743-24-I](#) [923743-28-I](#) [2854-BLU](#) [2970-BLK](#) [30-443G](#) [1680](#)