

Tip Jacks

APPLICATION • Connection to test equipment • Power supplies • Electrical instruments

JOHNSON Components®

INCHES (MILLIMETERS)
CUSTOMER DRAWINGS AVAILABLE UPON REQUEST

Insulated Standard: Rib-Loc® Type

SPECIFICATIONS

Contact: Brass body per QQ-B-626D with wrap around beryllium copper spring per QQ-C-553

Finish: Silver

Body: Nylon 6/6 per ASTM D4066

Panel Thickness: Up to .375 (9.05)

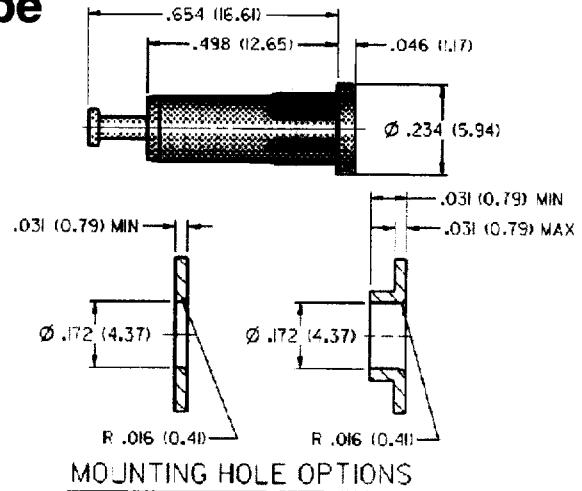
RATINGS

Current: 5 amps

Breakdown Voltage: 3500 Vrms minimum †

Contact Resistance: 0.005 ohms maximum

Adjacent Jack C: 1 pF nominal



SILVER PLATING			
PART NO.	COLOR	PART NO.	COLOR
105-1041-001	White	105-1044-001	Green
105-1042-001	Red	105-1047-001	Yellow
105-1043-001	Black	105-1050-001	Blue

For Standard Tip Plug: .080 (2.00) Diameter

FEATURES:

- Machined contact with turret terminal
- Installs by pressing into mounting hole, no mounting hardware required
- Closed entry blocks access or probes greater than .085 (2.16)
- Nylon UL approved for self extinguishing

Insulated Metal Clad: Military Type

SPECIFICATIONS

Contact: Brass per QQ-B-626D with wrap around beryllium copper spring per QQ-C-533

Finish: Gold

Body: Nylon 6/6 per ASTM D4066

Threaded Brass Jacket: Per QQ-B-626D, nickel plated

Hardware: Nickel plated washer and nut (unassembled)

Panel Thickness: Up to .218 (5.45)

RATINGS

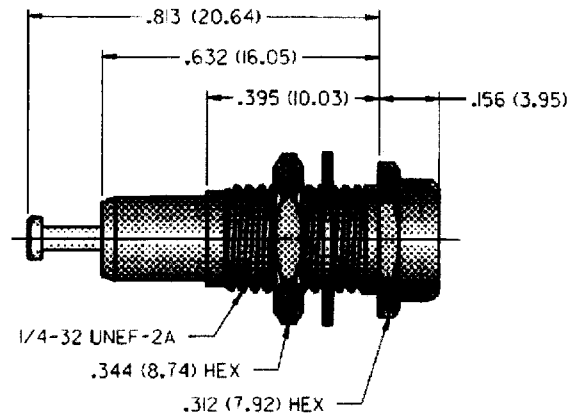
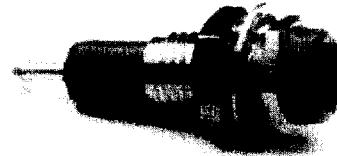
Current: 10 amps

Breakdown Voltage: 5700 Vrms minimum †

Contact Resistance: 0.004 ohms maximum

Contact-To-Panel C: 2 pF nominal

Manufactured to meet MIL-C-39024/10



GOLD PLATING		
JCI PART NO.	TO MIL-SPEC.	PART NO. CROSS REFERENCE
PART NO.	COLOR	MIL-C-39024/10
105-0201-200	White	-01
105-0202-200	Red	-02
105-0203-200	Black	-03
105-0208-200	Brown	-04
105-0204-200	Green	-05
105-0206-200	Orange	-06
105-0210-200	Blue	-07
105-0207-200	Yellow	-08
105-0213-200	Gray	-09
105-0212-200	Violet	-10

For Standard Tip Plug: .080 (2.00) Diameter

FEATURES:

- Machined contact with turret terminal
- For military or industrial applications
- Closed entry blocks access of probes greater than .085 (2.16)
- Nylon UL approved for self extinguishing

† Avoid user injury due to misapplication. See safety advisory definitions on page 2.

Insulated Metal Clad: Standard Type

SPECIFICATIONS

Contact: Phosphor bronze per QQ-B-750

Finish: Silver

Body: Nylon 6/6 per ASTM D4066

Threaded Brass Jacket: Per QQ-B-626D, nickel plated

Panel Thickness: Up to .281 (7.10)

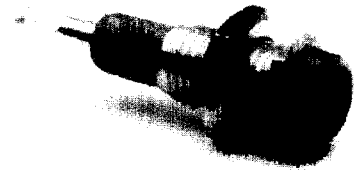
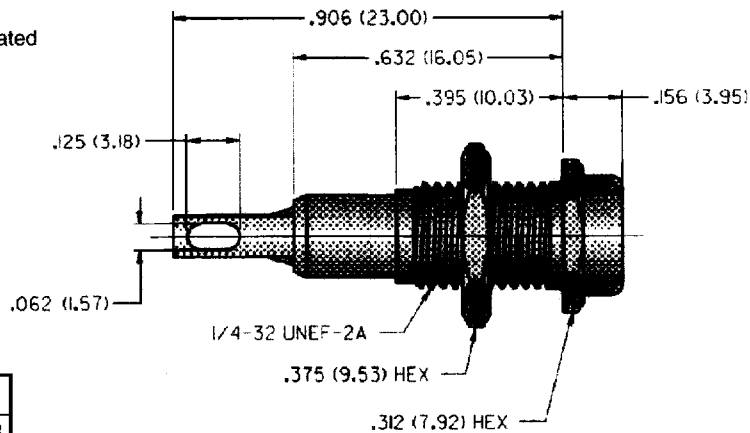
RATINGS

Current: 10 amps

Breakdown Voltage: 5700 Vrms minimum †

Contact Resistance: 0.010 ohms maximum

Contact-To-Panel C: 2 pF nominal



SILVER PLATING			
PART NO.	COLOR	PART NO.	COLOR
105-0251-001	White	105-0257-001	Yellow
105-0252-001	Red	105-0258-001	Brown
105-0253-001	Black	105-0260-001	Blue
105-0254-001	Green	105-0262-001	Violet
105-0256-001	Orange	105-0263-001	Gray

For Standard Tip Plug: .080 (2.00) Diameter

FEATURES:

- Formed contact with slotted terminal
- Nylon UL approved for self extinguishing

Insulated Deluxe

SPECIFICATIONS

Contact: Brass per QQ-B-626D with wrap around beryllium copper spring per QQ-C-533

Finish: Silver

Body: Nylon 6/6 per ASTM D4066

Hardware: Nickel plated nut (unassembled)

Body Thread Stripping Torque: 0.4 lb. in (4.5 kg. cm.)

Panel Thickness: Up to .437 (11.10)

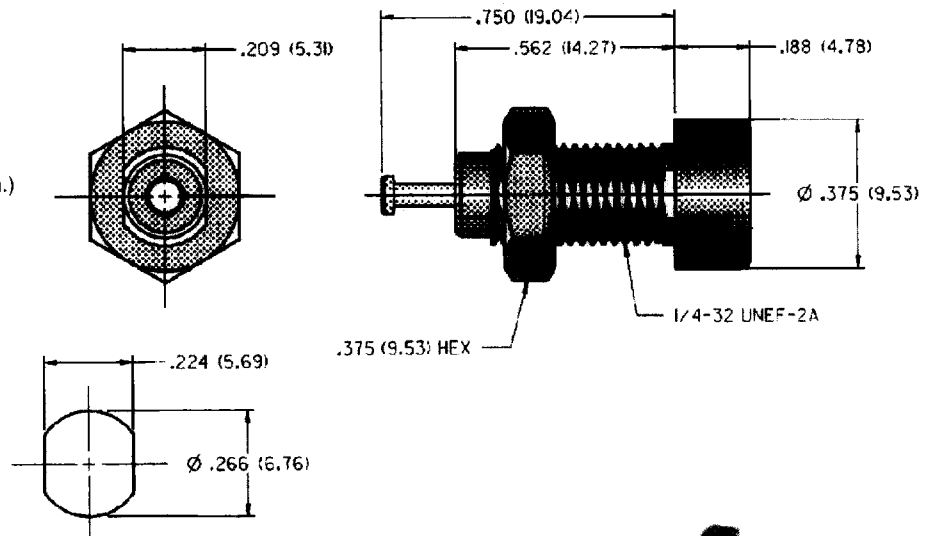
RATINGS

Current: 10 amps

Breakdown Voltage: 5700 Vrms minimum †

Contact Resistance: 0.010 ohms maximum

Contact-To-Panel C: 2 pF nominal



MOUNTING HOLE LAYOUT



SILVER PLATING			
PART NO.	COLOR	PART NO.	COLOR
105-0601-001	White	105-0607-001	Yellow
105-0602-001	Red	105-0608-001	Brown
105-0603-001	Black	105-0610-001	Blue
105-0604-001	Green	105-0612-001	Violet
105-0606-001	Orange	105-0613-001	Gray

For Standard Tip Plug: .080 (2.00) Diameter

FEATURES:

- Machined contact with turret terminal
- Hex socket head .188 (4.77) for ease in mounting
- Closed entry blocks access of probes greater than .085 (2.16)
- Nylon UL approved for self extinguishing

† Avoid user injury due to misapplication. See safety advisory definitions on page 2.

Tip Jacks

APPLICATION • Connection to test equipment • Power supplies • Electrical instruments

JOHNSON Components®

INCHES (MILLIMETERS)
CUSTOMER DRAWINGS AVAILABLE UPON REQUEST

Insulated Standard

SPECIFICATIONS:

Contact: Phosphor bronze per QQ-B-750

Finish: Bright tin

Body: Nylon 6/6 per ASTM D4066

Hardware: Nickel plated nut (unassembled)

Body Thread Stripping Torque: 4.0 lb. in.
(4.5 kg. cm.)

Panel Thickness: Up to .437 (11.10)

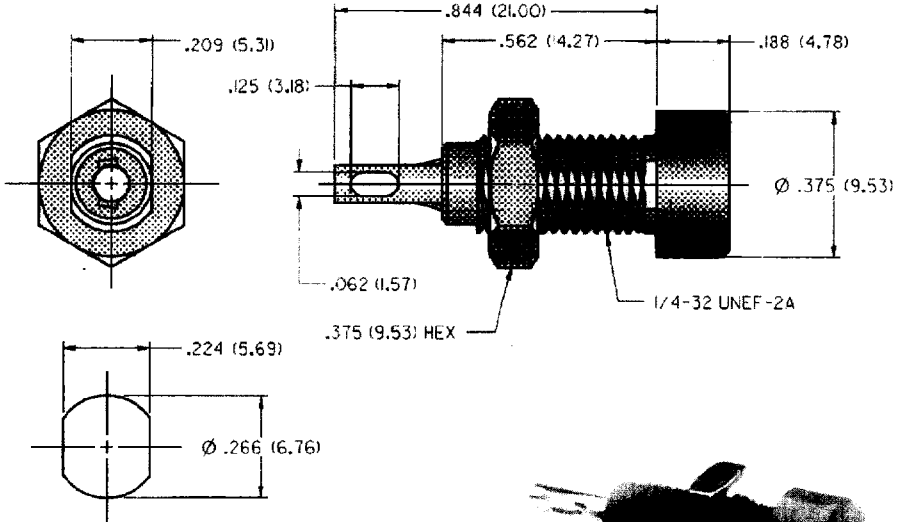
RATINGS

Current: 10 amps

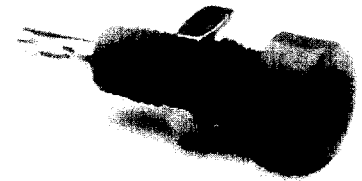
Breakdown Voltage: 5700 Vrms minimum +

Contact Resistance: 0.010 ohms maximum

Contact-To-Panel C: 2 pF nominal



MOUNTING HOLE LAYOUT



BRIGHT TIN PLATING			
PART NO.	COLOR	PART NO.	COLOR
105-0801-001	White	105-0807-001	Yellow
105-0802-001	Red	105-0808-001	Brown
105-0803-001	Black	105-0810-001	Blue
105-0804-001	Green	105-0812-001	Violet
105-0806-001	Orange	105-0813-001	Gray

For Standard Tip Plug: .080 (2.00) Diameter

FEATURES:

- Formed contact with slotted terminal
- Hex socket head .188 (4.7) for ease in mounting
- Nylon UL approved for self extinguishing

Insulated .125 (3.2) Diameter

SPECIFICATIONS:

Contact: Phosphor bronze per QQ-B-750

Finish: Bright tin

Body: Nylon 6/6 per ASTM D4066

Hardware: Nickel plated nut (unassembled)

Body Thread Stripping Torque: 4.0 lb. in.
(4.5 kg. cm.)

Panel Thickness: Up to .437 (11.10)

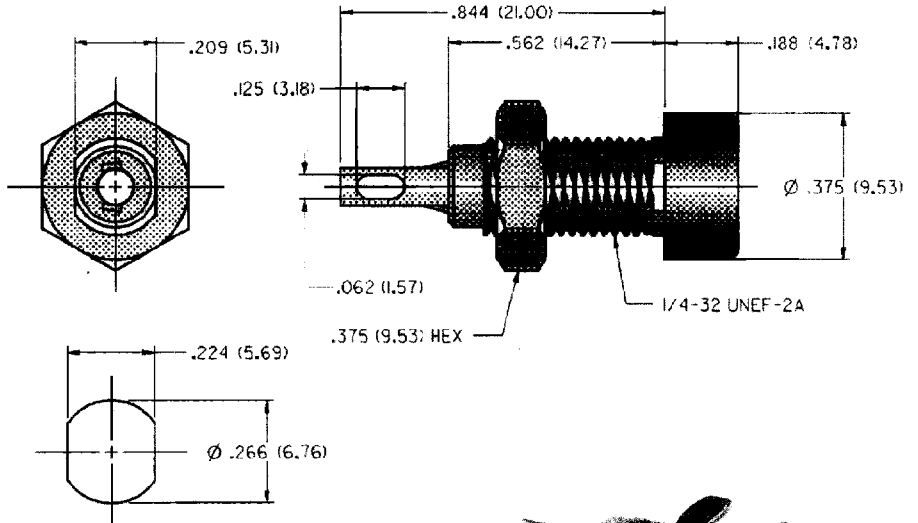
RATINGS

Current: 10 amps

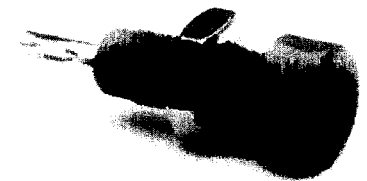
Breakdown Voltage: 5700 Vrms minimum +

Contact Resistance: 0.010 ohms maximum

Contact-To-Panel C: 2 pF nominal



MOUNTING HOLE LAYOUT



BRIGHT TIN PLATING	
PART NO.	COLOR
105-1001-001	White
105-1002-001	Red
105-1003-001	Black

For Special Tip Plug: .125 (3.20) Diameter

FEATURES:

- Formed contact with slotted terminal
- Hex socket head .188 (4.77) for ease in mounting
- Nylon UL approved for self extinguishing

† Avoid user injury due to misapplication. See safety advisory definitions on page 2.

Insulated Tip Jack and Sleeve Assembly

SPECIFICATIONS

Contact: Brass per QQ-B-626D with wrap around beryllium copper spring per QQ-C-533

Finish: Silver

Body: Nylon 6/6 per ASTM D4066

Hardware: Nylon handle (assembled)

Body Thread Stripping Torque: 4.0 lb. in. (4.5 kg.cm.)

Panel Thickness: Up to .125 (3.20)

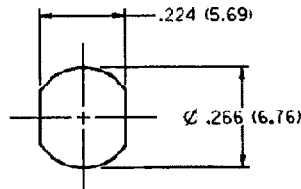
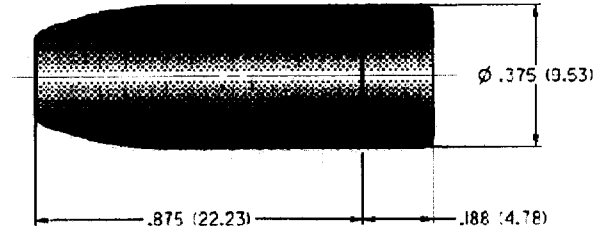
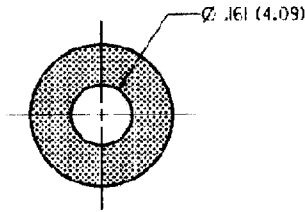
RATINGS

Current: 10 amps

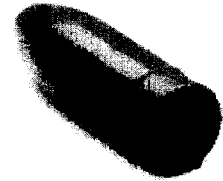
Breakdown Voltage: 5700 Vrms minimum †

Contact Resistance: 0.010 ohms maximum

Contact-To-Panel C: 2 pF nominal



MOUNTING HOLE LAYOUT



SILVER PLATING

PART NO.	COLOR	PART NO.	COLOR
105-0701-001	White	105-0704-001	Green
105-0702-001	Red	105-0707-001	Yellow
105-0703-001	Black	105-0710-001	Blue

For Standard Tip Plug: .080 (2.00) Diameter FEATURES:

- Machined contact with turret terminal
- Includes deluxe tip jack 105-060X-001
- For panel or line applications
- Hex socket head .188 (4.77) for ease in mounting
- Nylon UL approved for self extinguishing

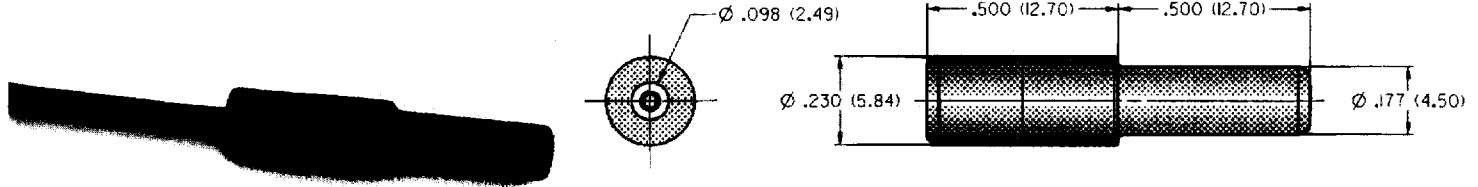
† Avoid user injury due to misapplication. See safety advisory definitions on page 2.

Tip Jacks

APPLICATION • Connections to monitoring equipment

INCHES (MILLIMETERS)
CUSTOMER DRAWINGS AVAILABLE UPON REQUEST

.060 (1.50) Shrouded Tip Jack (Solder or Crimp)



SILVER PLATING				
CRIMP TYPE 20 GAUGE	CRIMP TYPE 22 GAUGE	CRIMP TYPE 24 GAUGE	CRIMP TYPE 26 GAUGE	COLOR
105-1401-021	105-1401-031	105-1401-041	105-1401-051	White
105-1402-021	105-1402-031	105-1402-041	105-1402-051	Red
105-1403-021	105-1403-031	105-1403-041	105-1403-051	Black
105-1404-021	105-1404-031	105-1404-041	105-1404-051	Green
105-1407-021	105-1407-031	105-1407-041	105-1407-051	Yellow
105-1410-021	105-1410-031	105-1410-041	105-1410-051	Blue
GOLD PLATING				
CRIMP TYPE 20 GAUGE	CRIMP TYPE 22 GAUGE	CRIMP TYPE 24 GAUGE	CRIMP TYPE 26 GAUGE	COLOR
105-1401-022	105-1401-032	105-1401-042	105-1401-052	White
105-1402-022	105-1402-032	105-1402-042	105-1402-052	Red
105-1403-022	105-1403-032	105-1403-042	105-1403-052	Black
105-1404-022	105-1404-032	105-1404-042	105-1404-052	Green
105-1407-022	105-1407-032	105-1407-042	105-1407-052	Yellow
105-1410-022	105-1410-032	105-1410-042	105-1410-052	Blue

See page 180 for crimp tool.

SPECIFICATIONS

Contact: Brass body per QQ-B-626D with enclosed beryllium copper spring per QQ-C-533

Finish: Gold or Silver

Body: Polycarbonate per ASTM D 3935

RATINGS

Current: 7 amps

Breakdown Voltage: 3500 Vrms minimum †

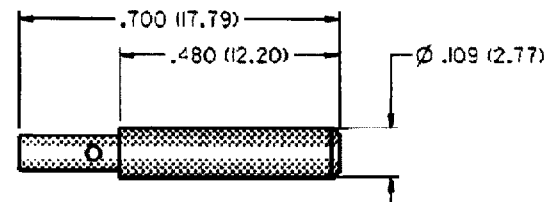
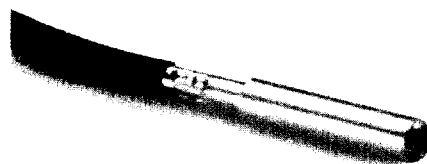
Contact Resistance: 0.010 ohms maximum

For Standard Tip Plug: .060 (1.50) Diameter

FEATURES:

- Field Repealable
- Autoclavable
- Solder or Crimp

.060 (1.50) Uninsulated Tip Jack (Solder or Crimp)



SPECIFICATIONS

Contact: Brass body per QQ-B-626D with enclosed beryllium copper spring per QQ-C-533

Finish: Gold or silver

RATINGS

Current: 7 amps

Breakdown Voltage: 3500 Vrms minimum †

Contact Resistance: 0.010 ohms maximum

For Standard Tip Plug: .060 (1.50) Diameter

FEATURES:

- Closed Entry Contact for Ideal Insert Molding
- Accepts 20 Gauge Wire or Smaller
- Solder or Crimp

GOLD PLATING			
CRIMP TYPE 20 GAUGE	CRIMP TYPE 22 GAUGE	CRIMP TYPE 24 GAUGE	CRIMP TYPE 26 GAUGE
105-1400-022	105-1400-032	105-1400-042	105-1400-052
SILVER PLATING			
CRIMP TYPE 20 GAUGE	CRIMP TYPE 22 GAUGE	CRIMP TYPE 24 GAUGE	CRIMP TYPE 26 GAUGE
105-1400-021	105-1400-031	105-1400-041	105-1400-051

See page 180 for crimp tool.

† Avoid user injury due to misapplication. See safety advisory definitions on page 2.

X-ON Electronics

Largest Supplier of Electrical and Electronic Components

Click to view similar products for [Test Plugs & Test Jacks](#) category:

Click to view products by [Bel Fuse](#) manufacturer:

Other Similar products are found below :

[01-2601-4-0210](#) [01-2601-4-0212](#) [01-2604-4-0212](#) [01-2604-5-0210](#) [01-2150-1-0312](#) [01-2350-1-02](#) [01-2352-1-02](#) [01-2368-1-02](#) [01-2604-4-0210](#) [01-2604-5-0212](#) [01-2606-4-0210](#) [01-2606-4-0212](#) [01-2606-5-0212](#) [M39024/10-01G](#) [M39024/10-17G](#) [M39024/11-09G](#) [M39024/11-42](#) [M39024/11-43](#) [M39024/12-08](#) [707-5311](#) [707-5402-01-19](#) [707-5410](#) [923739-40-I](#) [R644543000](#) [R948161000](#) [R999351000](#) [1408-4](#) [1499-101](#) [1533-1](#) [1659559](#) [1659567](#) [1663921](#) [1663939](#) [1696-102](#) [174-R825B-EX](#) [NYS508-BU](#) [NYS508-O](#) [211-101](#) [RS100GBL](#) [RS250GBL](#) [251-102](#) [25-2251-2-03](#) [25-2259-2-03](#) [923743-16-I](#) [923743-24-I](#) [923743-28-I](#) [2854-BLU](#) [2970-BLK](#) [30-443G](#) [1680](#)