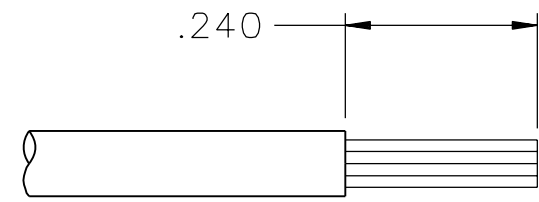
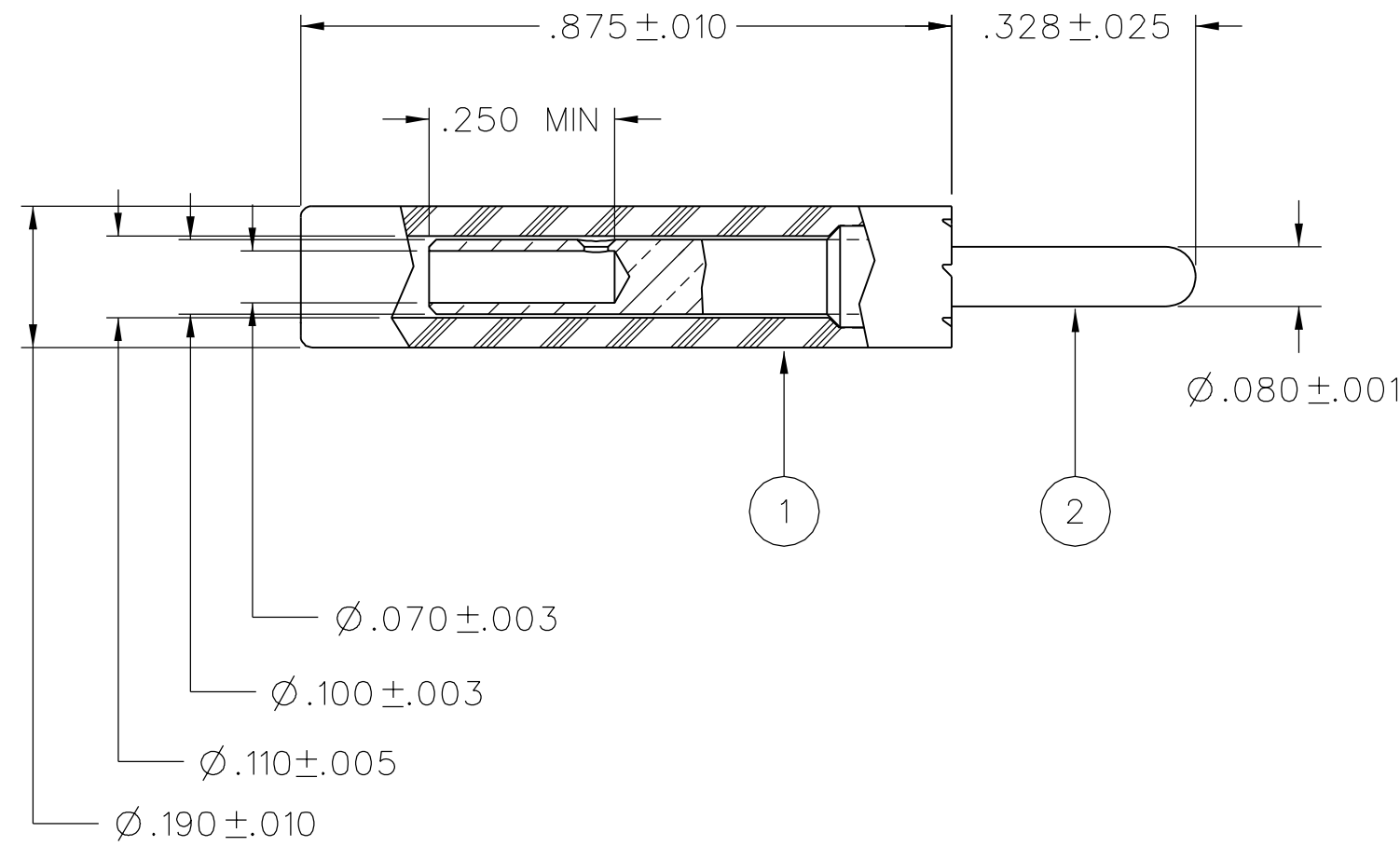


PART NUMBER	ITEM ①		ITEM ② CONTACT
	BODY	COLOR	
105-0771-001	NYLON	WHITE	BRASS NICKEL PL .0001 MIN OVER COPPER PL .00005 MIN
105-0772-001		RED	
105-0773-001		BLACK	
105-0774-001		GREEN	
105-0775-001			
105-0776-001		ORANGE	
105-0777-001		YELLOW	
105-0778-001		BROWN	
105-0779-001			
105-0780-001		BLUE	
105-0781-001			
105-0782-001	VIOLET		
105-0783-001	GRAY		
105-0784-001			
105-0785-001			
105-0786-001			
105-0787-001			
105-0788-001			
105-0789-001			
105-0790-001			



RECOMMENDED WIRE STRIP

NOTES:  
 SPECIFICATIONS:  
 ELECTRICAL:  
 CURRENT RATING: 10 AMPS DC MINIMUM  
 DIELECTRIC WITHSTANDING VOLTAGE: 3500 VRMS MINIMUM AT SEA LEVEL  
 RECOMMENDED WORKING VOLTAGE: 1750 VRMS MAXIMUM AT SEA LEVEL  
 INSULATION RESISTANCE: 5000 MEGOHMS MINIMUM  
 CONTACT RESISTANCE: 10 MILLIOHMS MAXIMUM  
 MECHANICAL:  
 WIRE ACCEPTABILITY: 16 AWG OR SMALLER  
 WIRE ATTACHMENT: CRIMP OR SOLDER  
 DURABILITY: 1000 CYCLES MINIMUM  
 ENVIRONMENTAL:  
 (MEETS OR EXCEEDS THE APPLICABLE PARAGRAPH OF MIL-PRF-39024)  
 OPERATING TEMPERATURE: -55 DEG C TO 85 DEG C  
 TEMPERATURE RISE AT RATED CURRENT: 10 DEG C MAXIMUM  
 CORROSION: MIL-STD-1344, METHOD 1001, CONDITION B  
 SHOCK: MIL-STD-1344, METHOD 2004, CONDITION G  
 VIBRATION: MIL-STD-1344, METHOD 2005, CONDITION I  
 HUMIDITY: MIL-STD-1344, METHOD 1002, CONDITION B

DRAWING NO. B-105-0771/0790-001	
0	REVISIONS
UPDATE GRAPHICS ***** * REVISION NUMBER FOLLOWED BY AN ALPHA * * CHARACTER INDICATES DRAWING CLARIFI- * * CATION OR PART NUMBER ADDITION ONLY. * *****	
10a	11-13-06 P A T R J B M J U J C N 12-1-06 ECN 50772

CUSTOMER DRAWING

THIS DRAWING TO BE INTERPRETED PER ASME Y 14.5M - 1994

"μSTATION"

COMPANY CONFIDENTIAL

TOLERANCE UNLESS OTHERWISE SPECIFIED		DRAWN BY	DATE
DECIMALS	mm	RJB	11-3-06
.XX	_____	CHECKED BY	DATE
.XXX	REF _____	RJB	11-28-06
MATL	_____	APPROVED BY	DATE
FINISH	_____	JCN	11-28-06
		RELEASE DATE	12-1-06 (10-19-89)
		U/M	INCH
		SCALE	4:1



**Cinch**  
CONNECTIVITY SOLUTIONS  
a bel group

Cinch Connectivity Solutions  
P.O. Box 1732  
Waseca, MN 56093  
1-800-247-8256

TITLE  
ASSEMBLY, .080 (2.0mm) TIP PLUG,  
INSULATED HANDLE, SOLDER BARREL

SHEET 2 OF 2  
DRAWING NO. B-105-0771/0790-001

## X-ON Electronics

Largest Supplier of Electrical and Electronic Components

*Click to view similar products for [Test Plugs & Test Jacks](#) category:*

*Click to view products by [Bel Fuse](#) manufacturer:*

Other Similar products are found below :

[01-2601-4-0210](#) [01-2601-4-0212](#) [01-2604-4-0212](#) [01-2604-5-0210](#) [01-2150-1-0312](#) [01-2350-1-02](#) [01-2352-1-02](#) [01-2368-1-02](#) [01-2604-4-0210](#) [01-2604-5-0212](#) [01-2606-4-0210](#) [01-2606-4-0212](#) [01-2606-5-0212](#) [M39024/10-01G](#) [M39024/10-17G](#) [M39024/11-09G](#) [M39024/11-42](#) [M39024/11-43](#) [M39024/12-08](#) [707-5311](#) [707-5402-01-19](#) [707-5410](#) [923739-40-I](#) [R644543000](#) [R948161000](#) [R999351000](#) [1408-4](#) [1499-101](#) [1533-1](#) [1659559](#) [1659567](#) [1663921](#) [1663939](#) [1696-102](#) [174-R825B-EX](#) [NYS508-BU](#) [NYS508-O](#) [211-101](#) [RS100GBL](#) [RS250GBL](#) [251-102](#) [25-2251-2-03](#) [25-2259-2-03](#) [923743-16-I](#) [923743-24-I](#) [923743-28-I](#) [2854-BLU](#) [2970-BLK](#) [30-443G](#) [1680](#)