

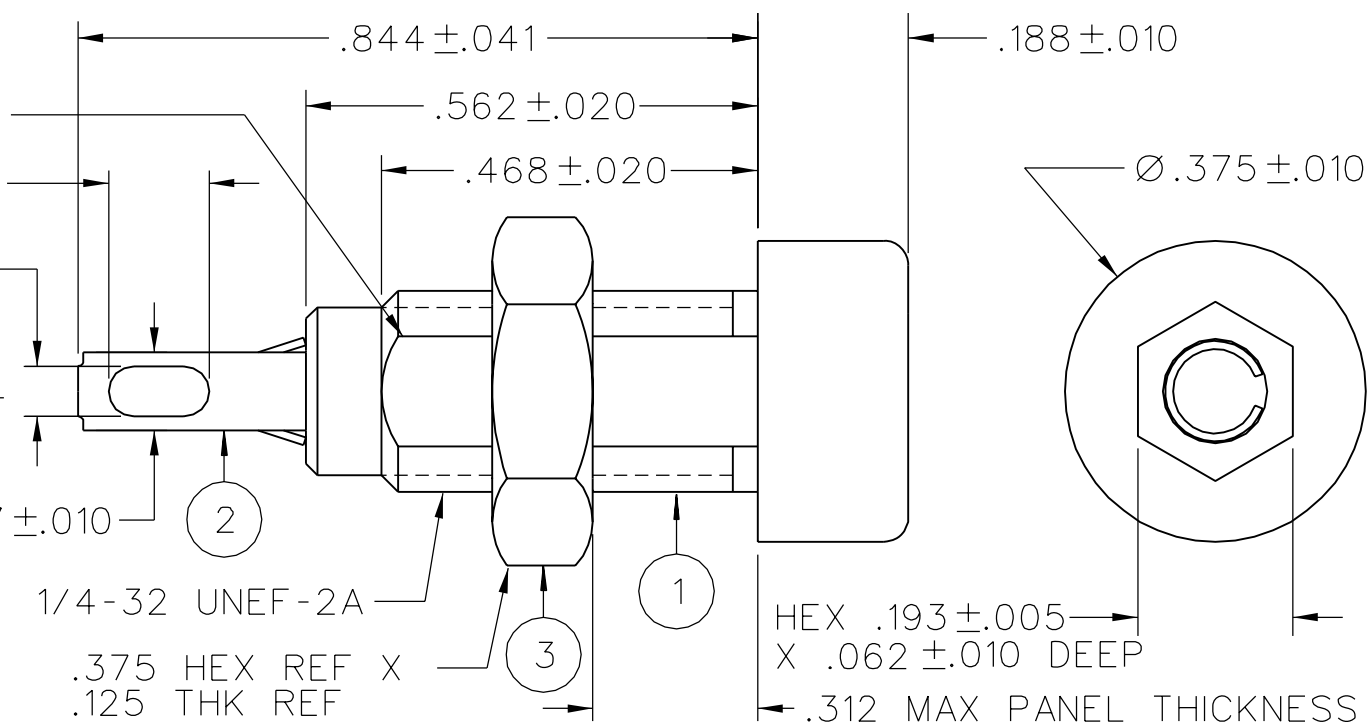
PART NUMBER	ITEM ①	ITEM ②	ITEM ③
105-0801-001	NYLON	WHITE	BRASS
105-0802-001		RED	TIN PL .0002 MIN OVER
105-0803-001		BLACK	NICKEL PL .00005 MIN
105-0804-001		GREEN	
105-0805-001			
105-0806-001		ORANGE	
105-0807-001		YELLOW	
105-0808-001		BROWN	
105-0809-001			
105-0810-001		BLUE	
105-0811-001			
105-0812-001		VIOLET	
105-0813-001		GRAY	
105-0814-001			
105-0815-001			
105-0816-001			
105-0817-001			
105-0818-001			
105-0819-001			
105-0820-001			



DRAWING NO.		B - 105-0801/0820-001	
0		REVISIONS	
REVISED AND REDRAWN. DRAWING WAS "C" SIZE 105-0801/0820-001/025 DATED 8-6-93. SPLIT INTO 2 SEPERATE DWGS. CREATED SHEET 2.			
***** * REVISION NUMBER FOLLOWED BY AN ALPHA * * CHARACTER INDICATES DRAWING CLARIFICATION OR PART NUMBER ADDITION ONLY. * *****			
18b	1-7-03	R H	R J B
			10-16-03 ECN 48698

2X "D" FLATS .209±.010 ACROSS FLATS

NOTES:  
 SPECIFICATIONS:  
 ELECTRICAL:  
 CURRENT RATING: 10 AMPS DC MINIMUM  
 DIELECTRIC WITHSTANDING VOLTAGE: 5700 VRMS MINIMUM AT SEA LEVEL  
 RECOMMENDED WORKING VOLTAGE: 2850 VRMS MAXIMUM AT SEA LEVEL  
 INSULATION RESISTANCE: 5000 MEGOHMS MINIMUM  
 CONTACT RESISTANCE: 10 MILLIOHMS MAXIMUM  
 CAPACITANCE: 2 PF NOMINAL  
 MECHANICAL:  
 INSERTION/WITHDRAWAL FORCE: 0.5 - 5.0 POUNDS  
 CONTACT RETENTION IN INSULATOR FORCE: 10 POUNDS MINIMUM  
 CONTACT RETENTION IN INSULATOR TORQUE: 12 IN OZ MINIMUM  
 INSULATOR RETENTION IN .062 PANEL FORCE: NOT APPLICABLE  
 INSULATOR RETENTION IN SLEEVE FORCE: NOT APPLICABLE  
 INSULATOR RETENTION IN .062 PANEL TORQUE: NOT APPLICABLE  
 PLASTIC MOUNTING THREAD STRIPPING TORQUE: 4 IN LBS MINIMUM  
 RESISTANCE TO TEST PROBE DAMAGE TORQUE: 2 IN LBS MINIMUM  
 MATING TIP PLUG DIAMETER: .080  
 DURABILITY: 1000 CYCLES MINIMUM  
 ENVIRONMENTAL:  
 (MEETS OR EXCEEDS THE APPLICABLE PARAGRAPH OF MIL-PRF-39024)  
 OPERATING TEMPERATURE: -55 DEG C TO 85 DEG C  
 TEMPERATURE RISE AT RATED CURRENT: 10 DEG C MAXIMUM  
 CORROSION: MIL-STD-1344, METHOD 1001, CONDITION B  
 SHOCK: MIL-STD-1344, METHOD 2004, CONDITION G  
 VIBRATION: MIL-STD-1344, METHOD 2005, CONDITION I  
 HUMIDITY: MIL-STD-1344, METHOD 1002, CONDITION B



CUSTOMER DRAWING

THIS DRAWING TO BE INTERPRETED PER ASME Y 14.5M - 1994

"μSTATION"

COMPANY CONFIDENTIAL

TOLERANCE UNLESS OTHERWISE SPECIFIED		DRAWN BY	DATE
DECIMALS	mm	RJB	12-6-02
.XX		CHECKED BY	DATE
.XXX REF			
MATL		APPROVED BY	DATE
		RJB	10-16-03
FINISH		RELEASE DATE	10-16-03
		U/M	INCH
		SCALE	4:1

 <b>cinch</b> CONNECTIVITY SOLUTIONS <small>a bel group</small>	<b>Cinch Connectivity Solutions</b> P.O. Box 1732 Waseca, MN 56093 1-800-247-8256	
	TITLE ASSEMBLY, .080 (2.0mm) TIP JACK, INSULATED PANEL MOUNT, SOLDER TERMINAL	
SHEET 2 OF 2	DRAWING NO. B - 105-0801/0820-001	

## X-ON Electronics

Largest Supplier of Electrical and Electronic Components

*Click to view similar products for [Test Plugs & Test Jacks](#) category:*

*Click to view products by [Bel Fuse](#) manufacturer:*

Other Similar products are found below :

[579-0400](#) [66000-7](#) [R644543000](#) [R921923000](#) [R921930000](#) [R941344000](#) [R948161000](#) [R999351000](#) [1408-4](#) [1533-1](#) [174-R825B-EX](#)  
[NYS508-BU](#) [1680](#) [174-R819B-EX](#) [R644543003](#) [R644543004](#) [R644543020](#) [R644543021](#) [R921926000](#) [R921931000](#) [R921932000](#)  
[R921934000](#) [R929991000](#) [R941460000](#) [R941461000](#) [R941463600](#) [R941920600](#) [R948160000](#) [31B-2-RED](#) [032-0016-023](#) [105-1106-001](#)  
[108-1000-106](#) [108-2301-621](#) [66001-9](#) [7013](#) [930166100](#) [NYS508-W](#) [NYS508-Y](#) [NYS511-R](#) [BP30-2BR10-B PKG](#) [BP30-10-WT](#) [BP30-2BR-](#)  
[B PKG](#) [BP30Y-1 PKG](#) [R941049000](#) [R941340000](#) [R921922000](#) [R644543022](#) [R948142000](#) [R941346000](#) [R941341000](#)