

Horizontal Test Jack

Insulated Ruggedized: Military Type

SPECIFICATIONS

Contact: Copper aluminum alloy*

Finish: Gold or Silver

Body: Nylon 6/6 per ASTM D4066

RATINGS

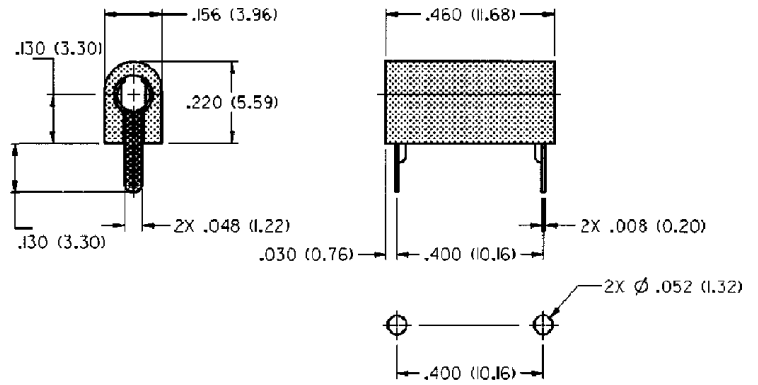
Current: 5 amps

Breakdown Voltage: 2500 Vrms minimum

Contact Resistance: Gold: 0.005 ohms maximum



INCHES (MILLIMETERS)
 CUSTOMER DRAWINGS AVAILABLE UPON REQUEST



GOLD PLATING		
JCI PART NO. TO MIL-SPEC. PART NO. CROSS REFERENCE		
PART NO.	COLOR	MIL-C-39024/11
105-2202-105	Red	-02

For Standard Tip Plug: .080 (2.00) Diameter

FEATURES:

- Contact protected from flux and solder
- Probe access from both ends
- Nylon UL approved for self extinguishing
- For Military or Industrial Applications

* A new material development that, for this application, meets or exceeds beryllium copper.

MOUNTING HOLE LAYOUT

X-ON Electronics

Largest Supplier of Electrical and Electronic Components

Click to view similar products for [Test Plugs & Test Jacks](#) category:

Click to view products by [Bel Fuse](#) manufacturer:

Other Similar products are found below :

[01-2601-4-0210](#) [01-2601-4-0212](#) [01-2604-4-0212](#) [01-2604-5-0210](#) [01-2150-1-0312](#) [01-2350-1-02](#) [01-2352-1-02](#) [01-2368-1-02](#) [01-2604-4-0210](#) [01-2604-5-0212](#) [01-2606-4-0210](#) [01-2606-4-0212](#) [01-2606-5-0212](#) [M39024/10-01G](#) [M39024/10-17G](#) [M39024/11-09G](#) [M39024/11-42](#) [M39024/11-43](#) [M39024/12-08](#) [707-5311](#) [707-5402-01-19](#) [707-5410](#) [923739-40-I](#) [R644543000](#) [R948161000](#) [R999351000](#) [1408-4](#) [1499-101](#) [1533-1](#) [1659559](#) [1659567](#) [1663921](#) [1663939](#) [1696-102](#) [174-R825B-EX](#) [NYS508-BU](#) [NYS508-O](#) [211-101](#) [RS100GBL](#) [RS250GBL](#) [251-102](#) [25-2251-2-03](#) [25-2259-2-03](#) [923743-16-I](#) [923743-24-I](#) [923743-28-I](#) [2854-BLU](#) [2970-BLK](#) [30-443G](#) [1680](#)