

Horizontal Test Jacks

Application • Test Points

INCHES (MILLIMETERS)
CUSTOMER DRAWINGS AVAILABLE UPON REQUEST

Insulated Ruggedized: Military Type

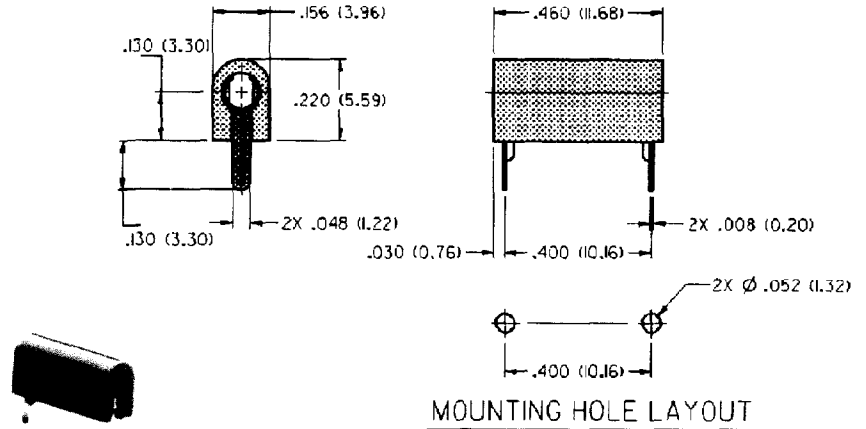
SPECIFICATIONS

Contact: Copper aluminum alloy*
Finish: Gold or Silver
Body: Nylon 6/6 per ASTM D4066

RATINGS

Current: 5 amps
Breakdown Voltage: 2500 Vrms minimum†
Contact Resistance: Gold: 0.005 ohms maximum

GOLD PLATING			
JCI PART NO. TO MIL-SPEC. PART NO. CROSS REFERENCE			
PART NO.	COLOR	MIL-C-39024/11	
105-2201-105	White	-01	
105-2202-105	Red	-02	
105-2203-105	Black	-03	
105-2208-105	Brown	-04	
105-2204-105	Green	-05	
105-2206-105	Orange	-06	
105-2210-105	Blue	-07	
105-2207-105	Yellow	-08	
105-2213-105	Gray	-09	
105-2212-105	Violet	-10	
SILVER PLATING			
PART NO.	COLOR	PART NO.	COLOR
105-2201-101	White	105-2207-101	Yellow
105-2202-101	Red	105-2208-101	Brown
105-2203-101	Black	105-2210-101	Blue
105-2204-101	Green	105-2212-101	Violet
105-2206-101	Orange	105-2213-101	Gray



For Standard Tip Plug: .080 (2.00) Diameter

FEATURES:

- Contact protected from flux and solder
- Probe access from both ends
- Nylon UL approved for self extinguishing
- For Military or Industrial Applications

* A new material development that, for this application, meets or exceeds beryllium copper.

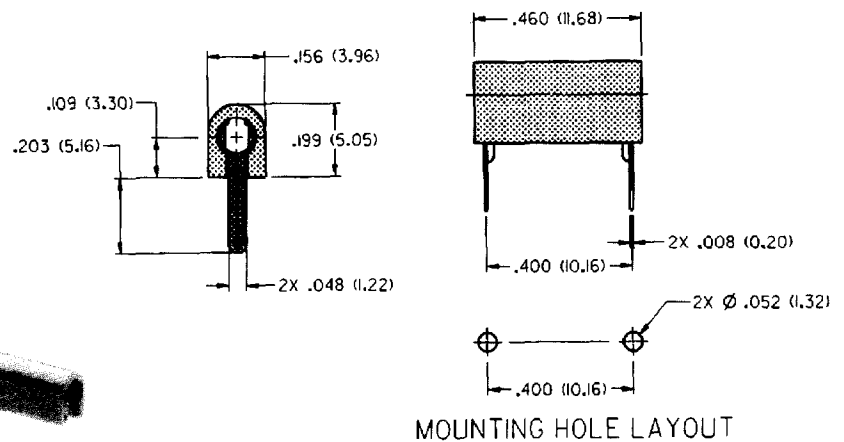
Insulated Ruggedized Low Profile

SPECIFICATIONS:

Contact: Copper aluminum alloy*
Finish: Gold
Body: Nylon 6/6 per ASTM D4066

RATINGS

Current: 5 amps
Breakdown Voltage: 2100 Vrms minimum †
Contact Resistance: Gold: 0.005 ohms maximum
Silver: 0.010 ohms maximum
Adjacent Jack C: 1 pF maximum at 1 MHz



For Standard Tip Plug: .080 (2.00) Diameter

FEATURES:

- Contact protected from flux and solder
 - Probe access from both ends
 - Nylon UL approved for self extinguishing
- * A new material development that, for this application, meets or exceeds beryllium copper.

GOLD PLATING			
PART NO.	COLOR	PART NO.	COLOR
105-4201-105	White	105-4204-105	Green
105-4202-105	Red	105-4207-105	Yellow
105-4203-105	Black	105-4210-105	Blue

† Avoid user injury due to misapplication. See safety advisory definitions on page 2.

X-ON Electronics

Largest Supplier of Electrical and Electronic Components

Click to view similar products for [Test Plugs & Test Jacks](#) category:

Click to view products by [Bel Fuse](#) manufacturer:

Other Similar products are found below :

[01-2601-4-0210](#) [01-2601-4-0212](#) [01-2604-4-0212](#) [01-2604-5-0210](#) [01-2150-1-0312](#) [01-2350-1-02](#) [01-2352-1-02](#) [01-2368-1-02](#) [01-2604-4-0210](#) [01-2604-5-0212](#) [01-2606-4-0210](#) [01-2606-4-0212](#) [01-2606-5-0212](#) [M39024/10-01G](#) [M39024/10-17G](#) [M39024/11-09G](#) [M39024/11-42](#) [M39024/11-43](#) [M39024/12-08](#) [707-5311](#) [707-5402-01-19](#) [707-5410](#) [923739-40-I](#) [R644543000](#) [R948161000](#) [R999351000](#) [1408-4](#) [1499-101](#) [1533-1](#) [1659559](#) [1659567](#) [1663921](#) [1663939](#) [1696-102](#) [174-R825B-EX](#) [NYS508-BU](#) [NYS508-O](#) [211-101](#) [RS100GBL](#) [RS250GBL](#) [251-102](#) [25-2251-2-03](#) [25-2259-2-03](#) [923743-16-I](#) [923743-24-I](#) [923743-28-I](#) [2854-BLU](#) [2970-BLK](#) [30-443G](#) [1680](#)